



Chipsmall Limited consists of a professional team with an average of over 10 year of expertise in the distribution of electronic components. Based in Hongkong, we have already established firm and mutual-benefit business relationships with customers from,Europe,America and south Asia,supplying obsolete and hard-to-find components to meet their specific needs.

With the principle of “Quality Parts,Customers Priority,Honest Operation,and Considerate Service”,our business mainly focus on the distribution of electronic components. Line cards we deal with include Microchip,ALPS,ROHM,Xilinx,Pulse,ON,Everlight and Freescale. Main products comprise IC,Modules,Potentiometer,IC Socket,Relay,Connector.Our parts cover such applications as commercial,industrial, and automotives areas.

We are looking forward to setting up business relationship with you and hope to provide you with the best service and solution. Let us make a better world for our industry!



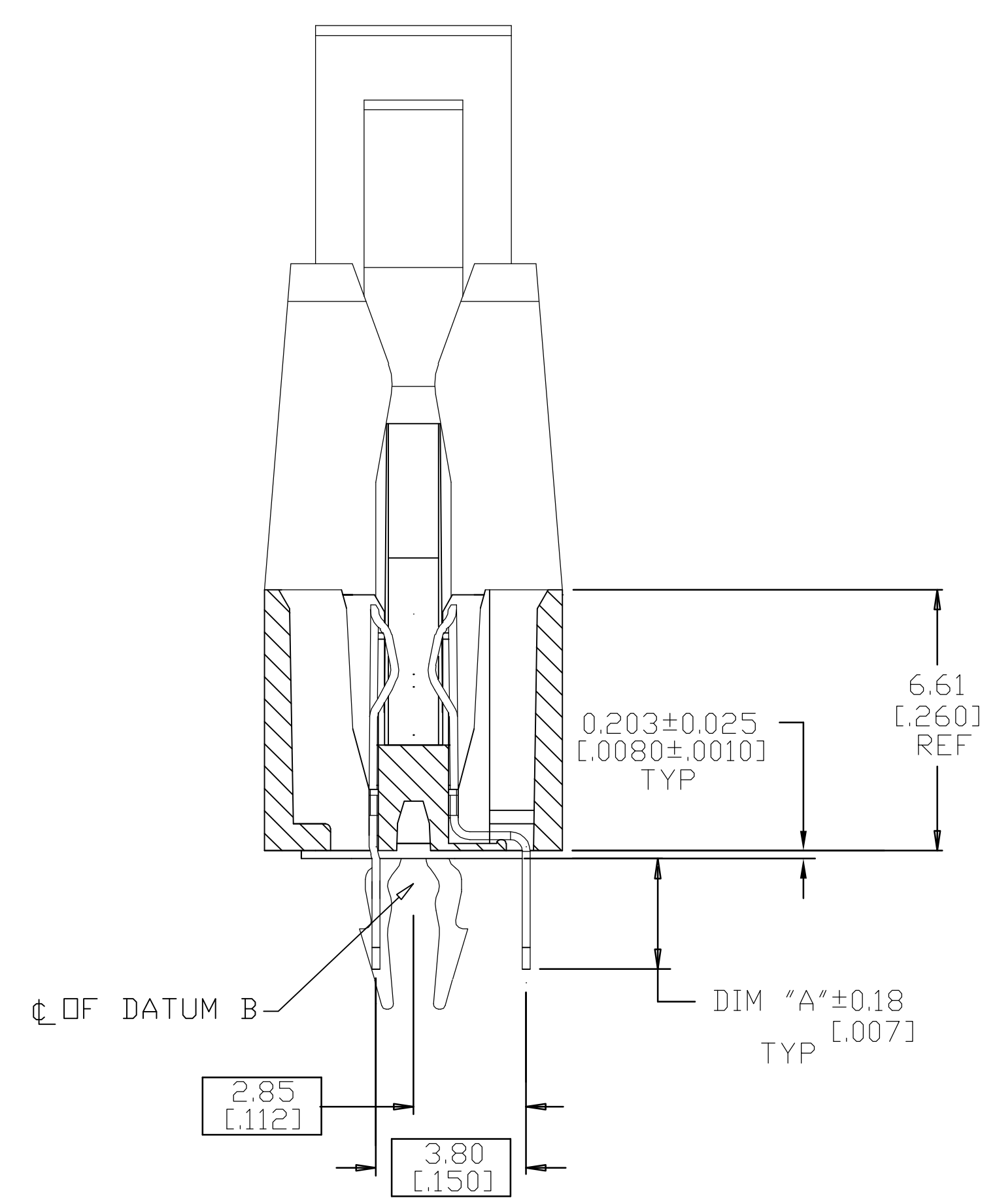
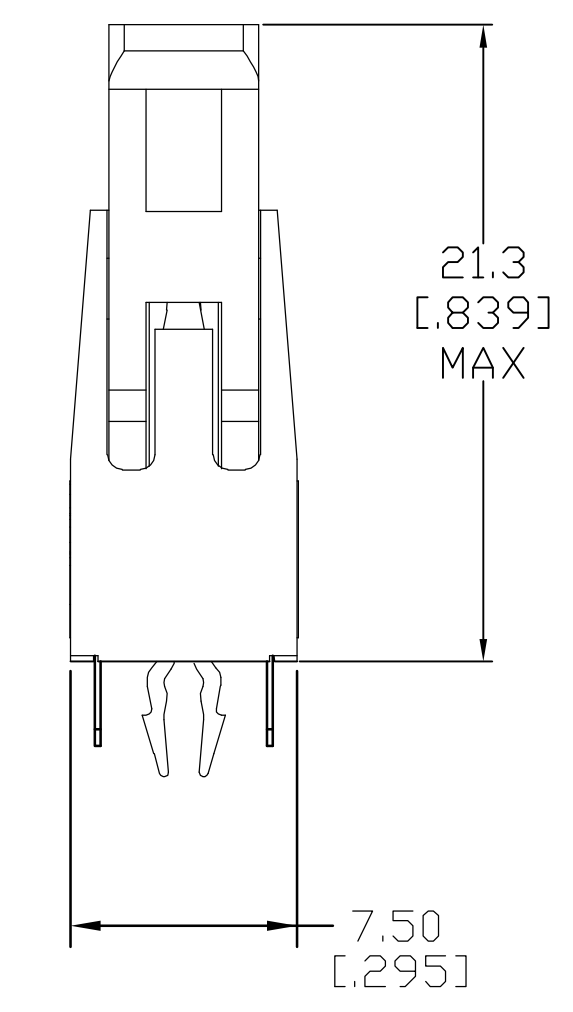
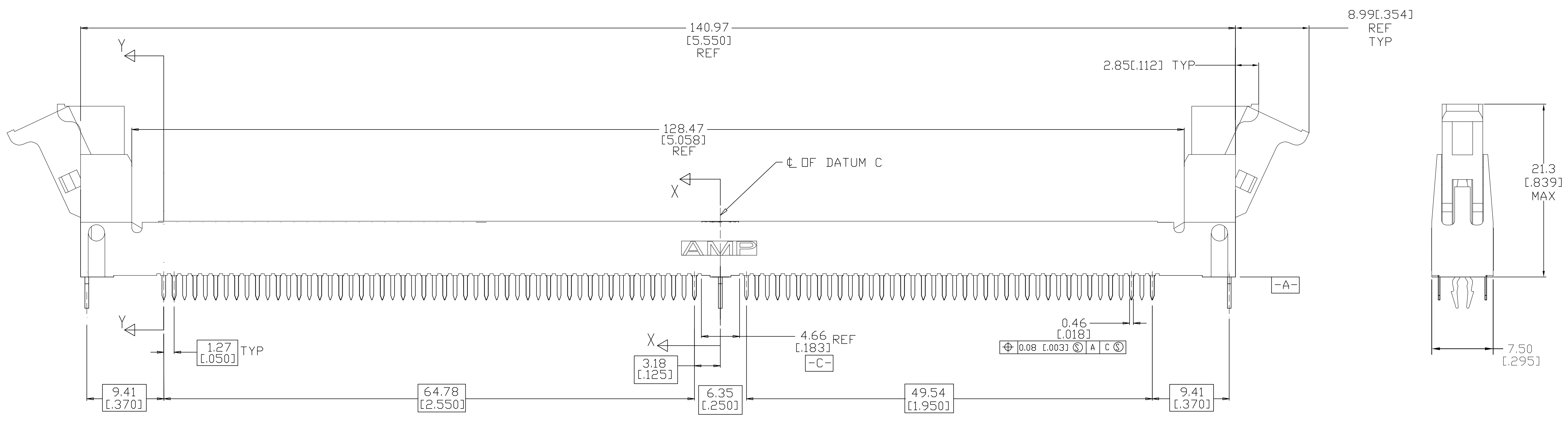
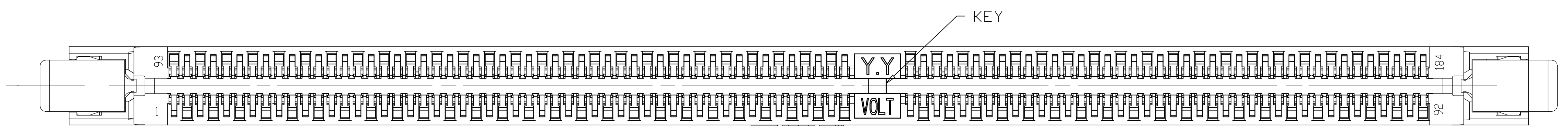
## Contact us

Tel: +86-755-8981 8866 Fax: +86-755-8427 6832

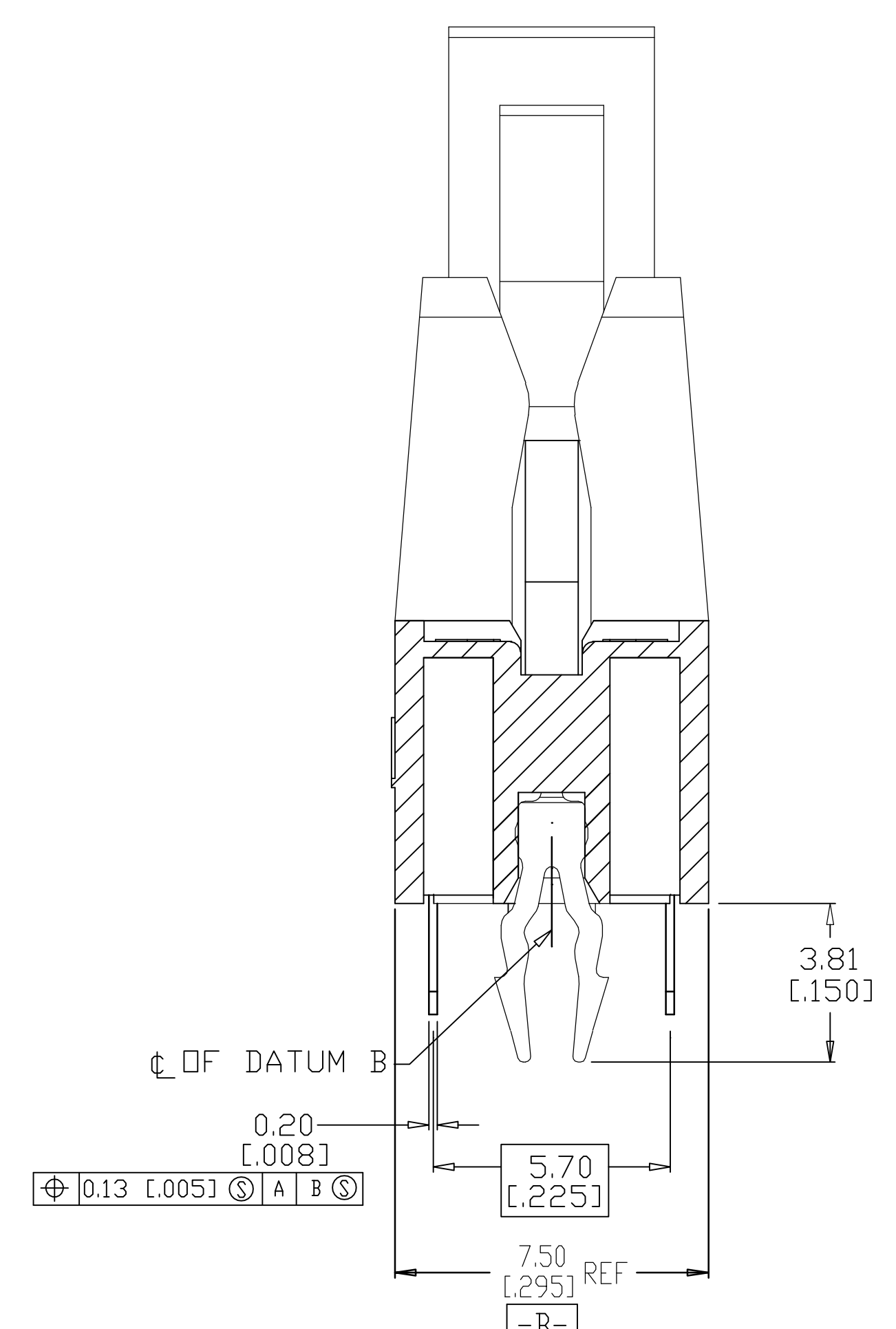
Email & Skype: info@chipsmall.com Web: www.chipsmall.com

Address: A1208, Overseas Decoration Building, #122 Zhenhua RD., Futian, Shenzhen, China





SECTION Y-Y  
 CIRCUITS 1 AND 93  
 SCALE 8:1

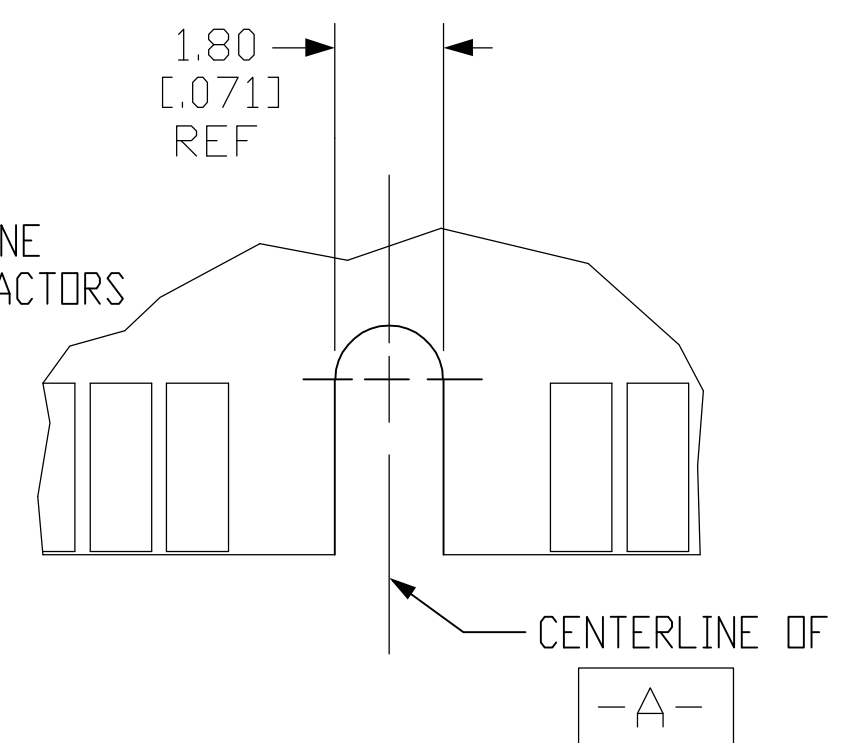
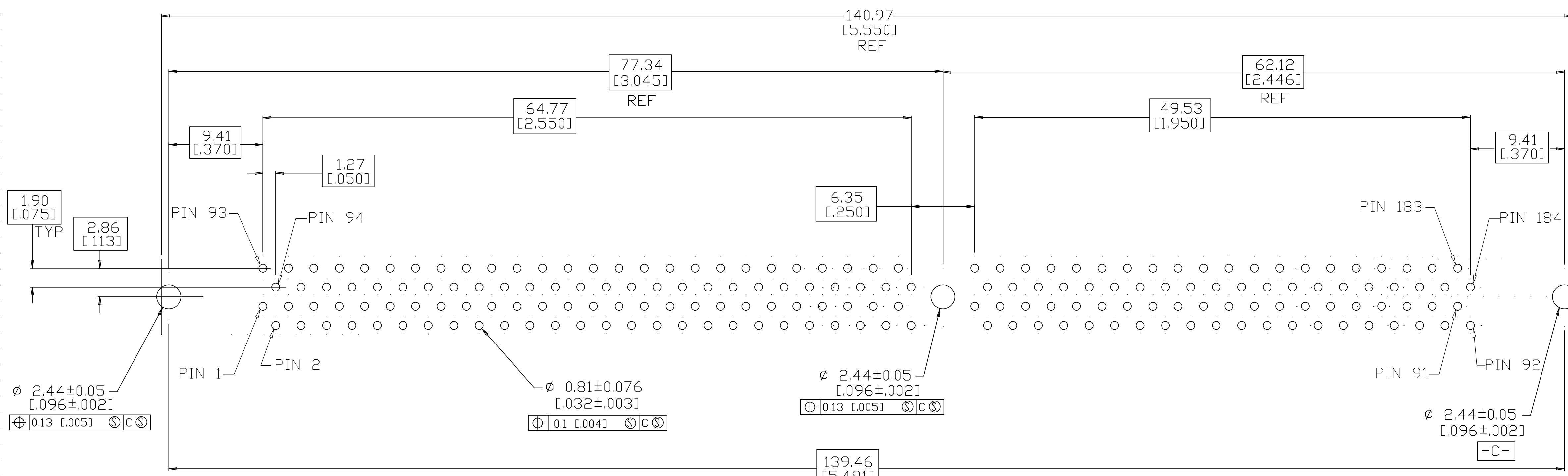


SECTION X-X  
 SCALE 8:1

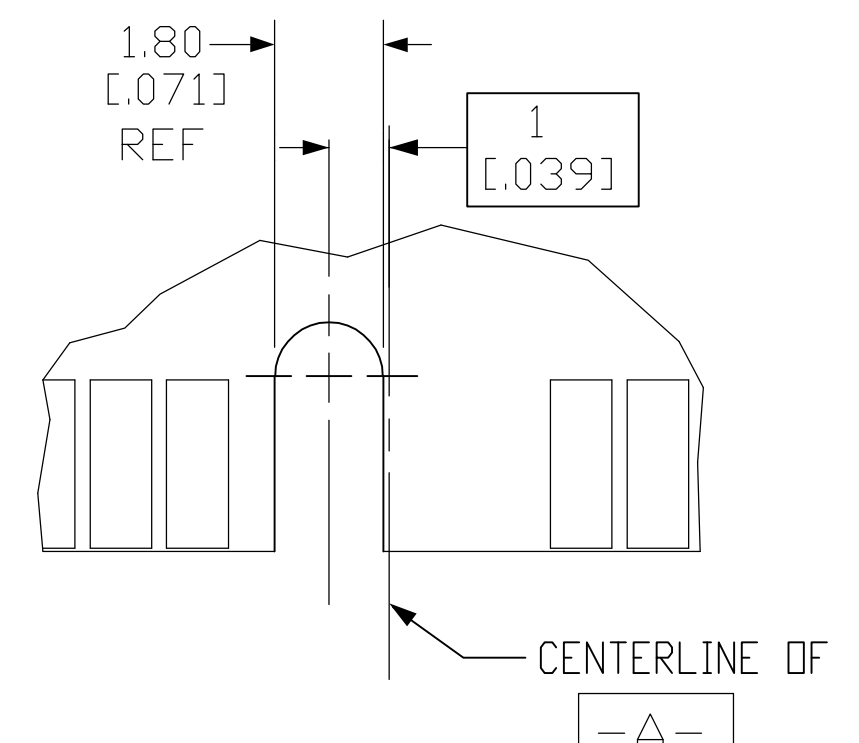
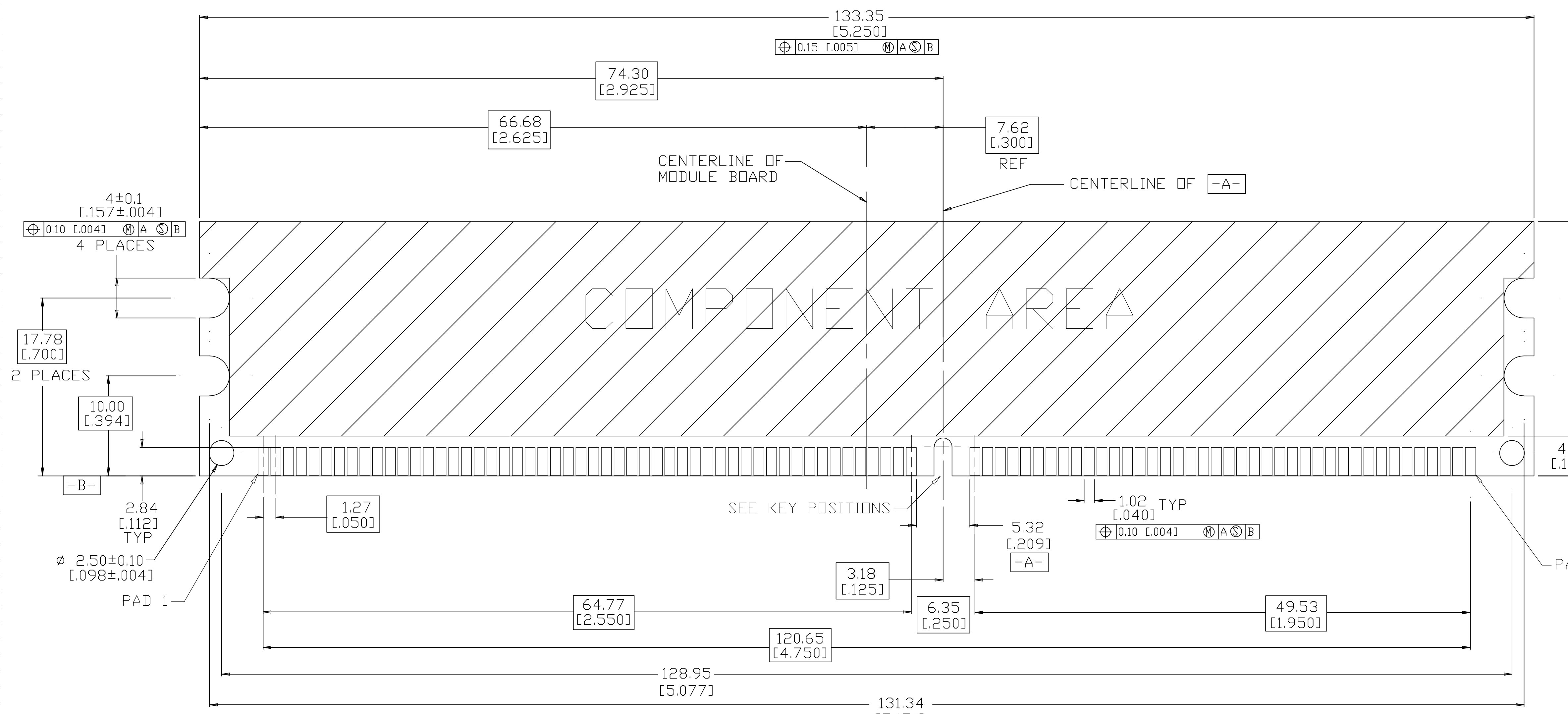
**MATERIAL**  
 HOUSING: GLASS FILLED HIGH TEMPERATURE NYLON, COLOR: BLACK  
 CONTACT: PHOS. BRONZE, C51100, TEMPER H06.  
 EXTRACTOR MATERIAL: GLASS FILLED HIGH TEMPERATURE NYLON, COLOR: NATURAL, OFF-WHITE.  
 RETENTION POST: STAINLESS STEEL, AMP 100-309.

**FINISH**  
 CONTACT:  
 NICKEL PLATE ALL OVER 0.00127-0.0019 [0.00050-.000075] THICK  
 PER AMP SPEC 112-25-2.  
 GOLD PLATE IN INTERFACE AREA 0.00076 [0.00030] MIN THICK  
 PER AMP SPEC 112-162-5.  
 MATTE TIN PLATE IN SOLDER TAIL AREA .00381-.00635 [0.00150-.000250] THICK  
 PER AMP SPEC 112-65-1.

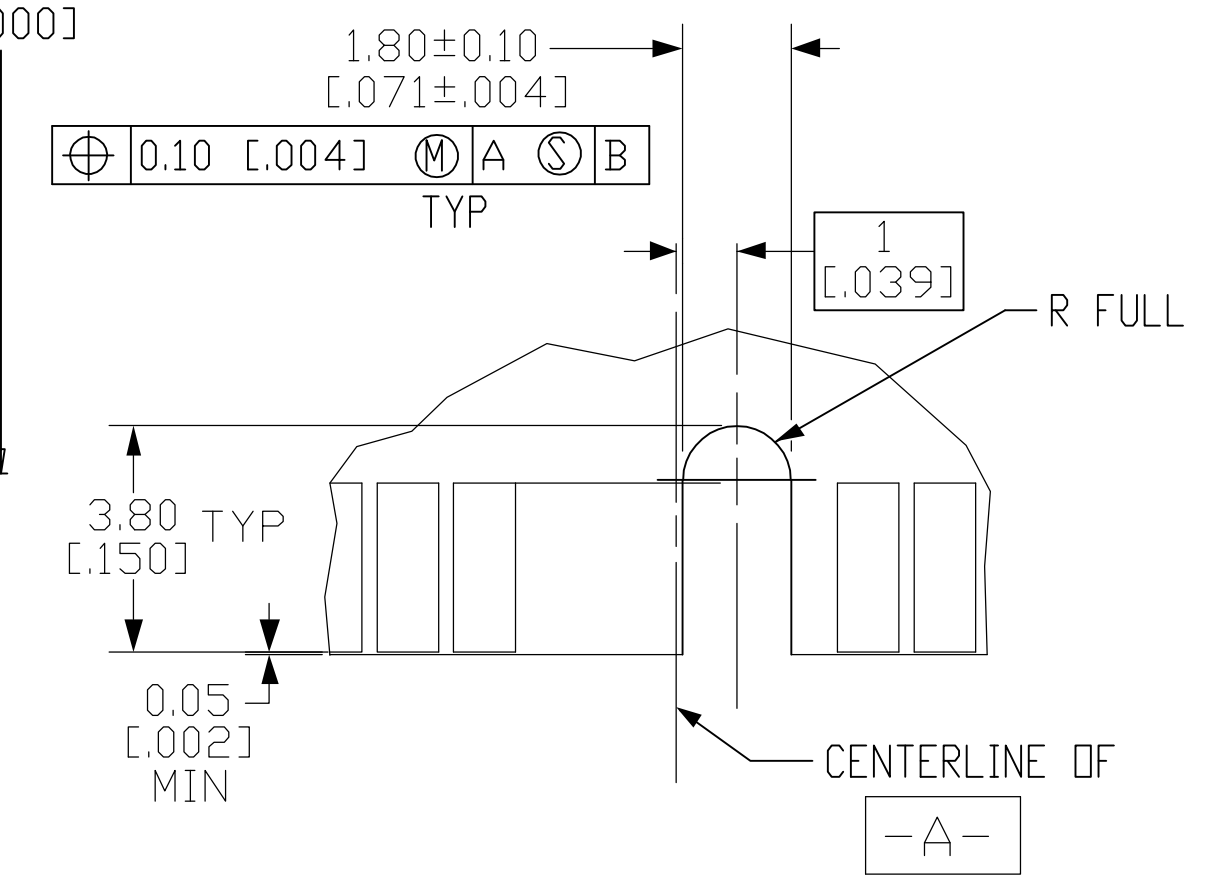
2.79 [0.110]	DETAIL B	184 POSN. DIMM2P, 2.5V, POST-PLATED CONTACTS	5390486-1
SOLDERTAIL LENGTH DIM "A"	KEY POSITION	DESCRIPTION	PART NUMBER
THIS DRAWING IS A CONTROLLED DOCUMENT.			
DIMENSIONS: mm [INCHES]		TOLERANCES UNLESS OTHERWISE SPECIFIED:	
0 PLC ± -		1 PLC ± -	
1 PLC ± -		2 PLC ± 0.13 [0.005]	
2 PLC ± -		3 PLC ± -	
3 PLC ± -		4 PLC ± -	
4 PLC ± -		ANGLES ± -	
MATERIAL 1		FINISH 2	
DWN R. RICHARDSON 15AUG05		Tyco Electronics Corporation	
CHK M. YEOMANS 15AUG05		Harrisburg, Pa 17105-3608	
APVD M. YEOMANS 15AUG05		NAME	
PRODUCT SPEC		SOCKET ASSEMBLY, DIMM2P	
APPLICATION SPEC		184 PIN, DDR,	
108-1753		30 MICROINCH GOLD PLATED CONTACTS	
114-1115		SIZE CAGE CODE DRAWING NO	
WEIGHT -		RESTRICTED TO	
A1 00779		SCALE 1:1 SHEET 1 OF 2 REV A	
CUSTOMER DRAWING		©=5390486	



DETAIL A  
SCALE 8:1



DETAIL B  
SCALE 8:1



DETAIL C  
SCALE 8:1

KEY POSITIONS

RECOMMENDED MODULE LAYOUT  
 SEE JEDEC SPEC MO-206 FOR COMPLETE MODULE DETAILS  
 1.27±0.10 [0.050±0.004] THICK ACROSS CONTACT PADS

THIS DRAWING IS A CONTROLLED DOCUMENT.		DWN R. RICHARDSON 15AUG05	15AUG05	Tyco Electronics Corporation Harrisburg, Pa 17105-3608	
DIMENSIONS: mm [INCHES]		CHK M. YEOMANS 15AUG05	15AUG05	NAME M. YEOMANS	
TOLERANCES UNLESS OTHERWISE SPECIFIED:		PRODUCT SPEC		SOCKET ASSEMBLY, DIMM2P	
0 PLC ±		108-1753		184 PIN, DDR,	
1 PLC ±		APPLICATION SPEC		30 MICROINCH GOLD PLATED CONTACTS	
2 PLC ± 0.13 [0.005]		114-1115		SIZE CAGE CODE DRAWING NO RESTRICTED TO	
3 PLC ±		A1 00779		5390486	
4 PLC ±		WEIGHT		CUSTOMER DRAWING	
ANGLES ±		SCALE 1:1		SHEET 2 OF 2	
FINISH		REV A			