



Chipsmall Limited consists of a professional team with an average of over 10 year of expertise in the distribution of electronic components. Based in Hongkong, we have already established firm and mutual-benefit business relationships with customers from,Europe,America and south Asia,supplying obsolete and hard-to-find components to meet their specific needs.

With the principle of “Quality Parts,Customers Priority,Honest Operation,and Considerate Service”,our business mainly focus on the distribution of electronic components. Line cards we deal with include Microchip,ALPS,ROHM,Xilinx,Pulse,ON,Everlight and Freescale. Main products comprise IC,Modules,Potentiometer,IC Socket,Relay,Connector.Our parts cover such applications as commercial,industrial, and automotives areas.

We are looking forward to setting up business relationship with you and hope to provide you with the best service and solution. Let us make a better world for our industry!



Contact us

Tel: +86-755-8981 8866 Fax: +86-755-8427 6832

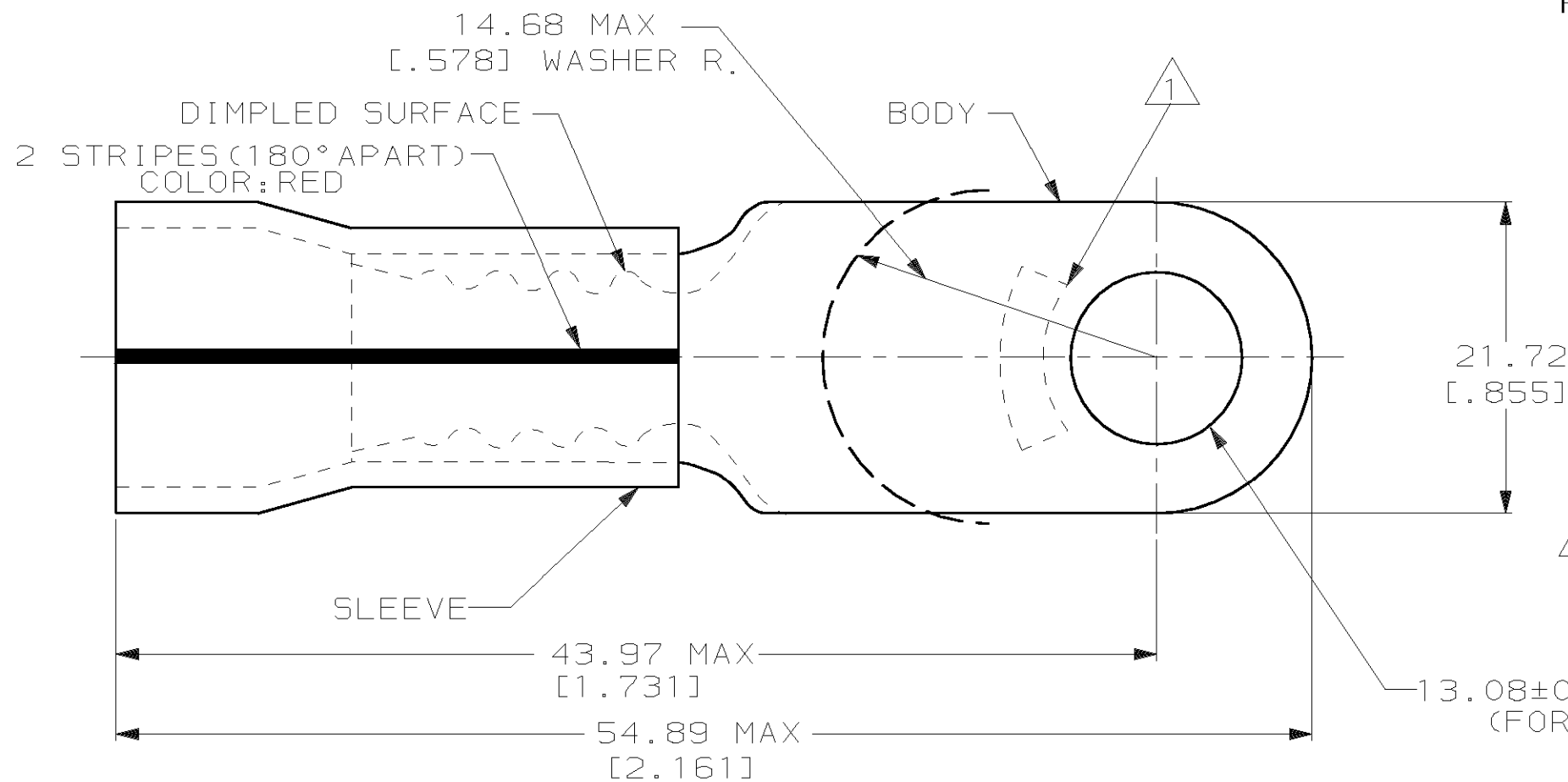
Email & Skype: info@chipsmall.com Web: www.chipsmall.com

Address: A1208, Overseas Decoration Building, #122 Zhenhua RD., Futian, Shenzhen, China



THIS DRAWING IS UNPUBLISHED. RELEASED FOR PUBLICATION ,19 .
 © COPYRIGHT 19 BY AMP INCORPORATED. ALL INTERNATIONAL RIGHTS RESERVED.

LOC G	DIST 14	P	F	REVISIONS			DATE	APPD
				ZONE	LTR	DESCRIPTION		
					G	REV PER 0G3A-0363-01	10JUL01	JR/TM



AMP
WIRE RANGE

2 AWG
STRANDED

METRIC

DIMENSIONS LISTED IN mm [INCHES]

NOTE:
 1. STAMP AMP 2* LOCATE APPROX AS SHOWN
 2. TONGUE MATERIAL THK 1.45±0.08 [.057±.003]
 3. WIRE INSULATION DIA 14.22 [.560] MAX

50	LOOSE PC	53954-1
QTY	PACKAGE TYPE	PART NO

**AMP INCORPORATED
CUSTOMER SERVICE SYSTEMS**

MAX RECOMMENDED OPERATING TEMPERATURE:

150°c

VOLTAGE RATING:
600 V MAX

CIRCULAR MIL AREA:
26.65-42.41mm² [52,600-83,700]
STRANDED

DO NOT SCALE PRINT.
UNLESS SPECIFIED
DIMENSIONS IN mm [INCHES]
TOLERANCES ON:
2 PLC DEC ± 0.20 [.008]
3 PLC DEC ± -
ANGLES ± -

MATERIAL
COPPER PER ASTM B-152
PVF², COLOR:NATURAL

FINISH
TIN/LEAD (93-7) PLATE
PER ASTM B545

DR 10-7-93
S.S. GOULDEN

CHK 10-7-93
R. HERSEY

APPD 10-7-93
B. BARE

APPD 10-7-93
M. ELLIS

PRODUCT SPEC
NOT AVAILABLE

APPLICATION SPEC
NOT AVAILABLE

WEIGHT -



AMP Incorporated
Harrisburg, PA 17105-3608

NAME
TERMINAL, RING TONGUE, PVF²,
PLASTI-GRIP, WIRE SIZE:2 AWG

SIZE B	CAGE CODE 00779	DRAWING NO C-53954
SCALE NTS	SHEET 1 OF 1	