



Chipsmall Limited consists of a professional team with an average of over 10 year of expertise in the distribution of electronic components. Based in Hongkong, we have already established firm and mutual-benefit business relationships with customers from,Europe,America and south Asia,supplying obsolete and hard-to-find components to meet their specific needs.

With the principle of “Quality Parts,Customers Priority,Honest Operation,and Considerate Service”,our business mainly focus on the distribution of electronic components. Line cards we deal with include Microchip,ALPS,ROHM,Xilinx,Pulse,ON,Everlight and Freescale. Main products comprise IC,Modules,Potentiometer,IC Socket,Relay,Connector.Our parts cover such applications as commercial,industrial, and automotives areas.

We are looking forward to setting up business relationship with you and hope to provide you with the best service and solution. Let us make a better world for our industry!



Contact us

Tel: +86-755-8981 8866 Fax: +86-755-8427 6832

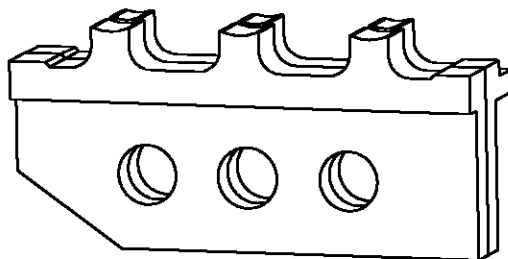
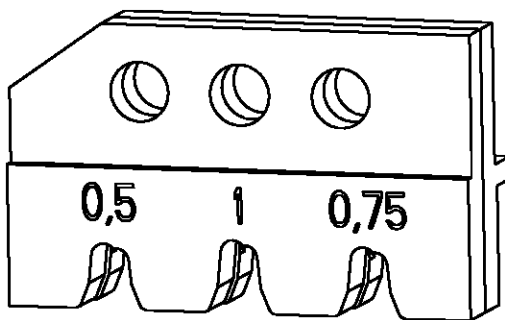
Email & Skype: info@chipsmall.com Web: www.chipsmall.com

Address: A1208, Overseas Decoration Building, #122 Zhenhua RD., Futian, Shenzhen, China



LOC	DIST	REVISIONS					
		P	LTR	DESCRIPTION	DATE	DWN	APVD
A1	-		A	new drawing	11FEB2002	-	-

Kontakt Contact	DGB (mm ²) Wire Range	Drahtcrimp/Wirecrimp Hoehe/Height	Breite/Width	Isocrimp Breite/Width	Iso.-∅ Ins. Range	Betriebsanl. Instr. Sheet
	967713 / 967719 / 968872	0.5	1.18	2.03	2.54	1.4-1.6
0.75		1.27	1.7-1.9			
1.0		1.36	1.9-2.1			




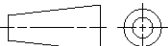
539722-2	1	1-539787-4	locator ass.	Positioniereinheit	A
	1	1-539786-3	contact guide	Kontaktabstuetzung	A
	1	1-519151-3	screw M4x25	Schraube M4x25	A
	1	1-519151-2	screw M4x20	Schraube M4x20	A
	1	0-519024-2	hex nut M4	Mutter M4 DIN 985	A
	1	0-519021-8	hex nut M4	Mutter M4 DIN 934	A
	QTY Stck	PN	Description	Benennung	REV

19

RELEASED FOR PUBLICATION

THIS DRAWING IS UNPUBLISHED.

© COPYRIGHT 19 BY TYCO ELECTRONICS CORPORATION. ALL RIGHTS RESERVED.

DIMENSIONS: mm-DIN 7168-m	DWN M.Weberndoerfer	18NOV99	MATERIAL	-	FINISH	-
	CHK U.Reuter	18NOV99	 tyco Electronics AMP GmbH D - 64625 Bensheim			
TOLERANCES UNLESS OTHERWISE SPECIFIED:	APVD	-	NAME ERGOCRIMP Die Set for MCP 2.8 mm and 2.8 mm Sensor-Flattype Rec.			
	0 PLC ±	1 PLC ±	2 PLC ±	3 PLC ±	4 PLC ±	ANGLES ±
	PRODUCT SPEC	-	SIZE	A 4	CAGE CODE	00779
	APPLICATION SPEC	-	DRAWING NO	C=539722-2		
WEIGHT	-	RESTRICTED TO				-
CUSTOMER DRAWING			SCALE	2:1	SHEET	1 OF 1
					REV	A