



Chipsmall Limited consists of a professional team with an average of over 10 year of expertise in the distribution of electronic components. Based in Hongkong, we have already established firm and mutual-benefit business relationships with customers from,Europe,America and south Asia,supplying obsolete and hard-to-find components to meet their specific needs.

With the principle of “Quality Parts,Customers Priority,Honest Operation,and Considerate Service”,our business mainly focus on the distribution of electronic components. Line cards we deal with include Microchip,ALPS,ROHM,Xilinx,Pulse,ON,Everlight and Freescale. Main products comprise IC,Modules,Potentiometer,IC Socket,Relay,Connector.Our parts cover such applications as commercial,industrial, and automotives areas.

We are looking forward to setting up business relationship with you and hope to provide you with the best service and solution. Let us make a better world for our industry!



Contact us

Tel: +86-755-8981 8866 Fax: +86-755-8427 6832

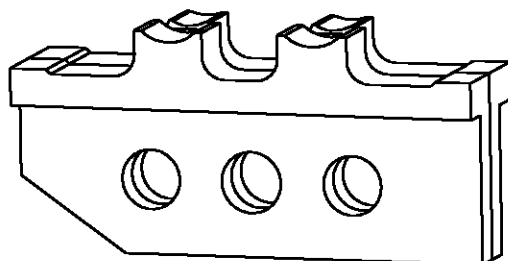
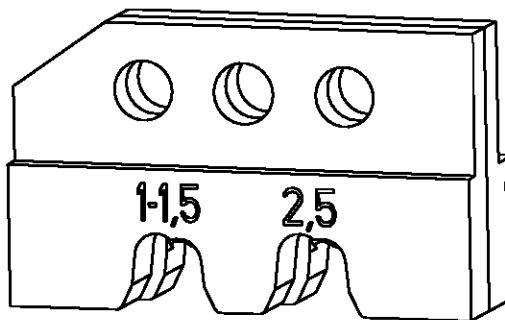
Email & Skype: info@chipsmall.com Web: www.chipsmall.com

Address: A1208, Overseas Decoration Building, #122 Zhenhua RD., Futian, Shenzhen, China



LOC	DIST	REVISIONS					
A1	-	P	LTR	DESCRIPTION	DATE	DWN	APVD
			A	new drawing	11FEB2002	-	-

Kontakt Contact	DGB (mm ²)	Drahtcrimp/Wirecrimp		Isocrimp	Iso.-∅	Betriebsanl.
	Wire Range	Hoehe/Height	Breite/Width	Breite/Width	Ins. Range	Instr. Sheet
42565 / 160447 / 160449	1.0-1.5	1.60	2.80	4.60	3.0-4.3	411-18181
	2.5	1.87				



539731-2	1	8-539634-5	screw M4x11	Schraube M4x11	A
	1	0-519151-9	screw M4x10	Schraube M4x10	A
	QTY Stck	PN	Description	Benennung	REV


19

RELEASED FOR PUBLICATION

THIS DRAWING IS UNPUBLISHED.

BY TYCO ELECTRONICS CORPORATION. ALL RIGHTS RESERVED.

© COPYRIGHT 19

DIMENSIONS: mm-DIN 7168-m	DWN	M.Heiss	24 JAN2000	MATERIAL	-	FINISH	-
	CHK	U.Reuter	24 JAN2000	 tyco Electronics AMP GmbH D - 64625 Bensheim			
TOLERANCES UNLESS OTHERWISE SPECIFIED:	APVD	-	PRODUCT SPEC				
0 PLC ±				ERGOCRIMP Die Set for			
1 PLC ±				6.3 mm FASTIN-FASTON			
2 PLC ±				SIZE	CAGE CODE	DRAWING NO	RESTRICTED TO
3 PLC ±				A 4	00779	©=539731-2	-
4 PLC ±				CUSTOMER DRAWING			
ANGLES ±	WEIGHT	-		SCALE	2:1	SHEET	1 OF 1
				REV	A		