



Chipsmall Limited consists of a professional team with an average of over 10 year of expertise in the distribution of electronic components. Based in Hongkong, we have already established firm and mutual-benefit business relationships with customers from,Europe,America and south Asia,supplying obsolete and hard-to-find components to meet their specific needs.

With the principle of “Quality Parts,Customers Priority,Honest Operation,and Considerate Service”,our business mainly focus on the distribution of electronic components. Line cards we deal with include Microchip,ALPS,ROHM,Xilinx,Pulse,ON,Everlight and Freescale. Main products comprise IC,Modules,Potentiometer,IC Socket,Relay,Connector.Our parts cover such applications as commercial,industrial, and automotives areas.

We are looking forward to setting up business relationship with you and hope to provide you with the best service and solution. Let us make a better world for our industry!



Contact us

Tel: +86-755-8981 8866 Fax: +86-755-8427 6832

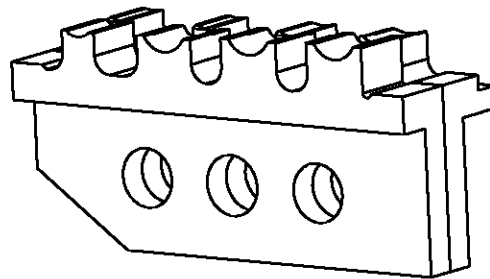
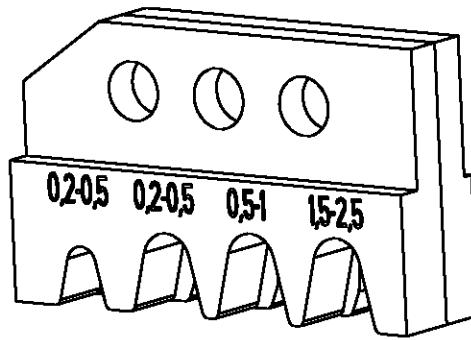
Email & Skype: info@chipsmall.com Web: www.chipsmall.com

Address: A1208, Overseas Decoration Building, #122 Zhenhua RD., Futian, Shenzhen, China



LOC	DIST	REVISIONS					
A1	-	P	LTR	DESCRIPTION	DATE	DWN	APVD
		A1		REVISED PER ECO-11-005150	28MAR11	RK	HMR

Kontakt Contact	DGB (mm ²) Wire Range	Drahtcrimp/Wirecrimp		Isocrimp	Iso.-∅ Ins. Range	Dichtung Seal	Betriebsanl. Instr. Sheet
		Hoehe/Height	Breite/Width	Breite/Width			
927776	0.2-0.5	1.03	1.58	2.30	1.0-1.6		411-18191
929931 / 929942	0.2-0.5	1.03	1.58	3.90	1.2-1.6	828904	
929930 / 929940	0.5-1.0	1.23	2.03	4.06	1.4-2.1	828904	
929929 / 929938	1.5-2.5	1.56	2.80	4.30	2.2-3.0	828905	



539737-2	1	1-539787-5	locator ass.	Positioniereinheit	A
	1	1-519151-3	screw M4x25	Schraube M4x25	A
	1	0-519151-9	screw M4x10	Schraube M4x10	A
	1	0-519024-2	hex nut M4	Mutter M4 DIN 985	A
	QTY Stck	PN	Description	Benennung	REV


19

RELEASED FOR PUBLICATION

ALL RIGHTS RESERVED.

THIS DRAWING IS UNPUBLISHED.

BY
COPYRIGHT

DIMENSIONS: mm-DIN 7168-m		DWN M.Weberdoerfer 31MAY2000	MATERIAL -	FINISH -	
TOLERANCES UNLESS OTHERWISE SPECIFIED: 0 PLC ± 1 PLC ± 2 PLC ± 3 PLC ± 4 PLC ± ANGLES ±		CHK U.Reuter 31MAY2000	 TE Connectivity		
		APVD -			
PRODUCT SPEC -		APPLICATION SPEC -	NAME ERGOCRIMP Die Set for Junior Power Timer (SWS)		
		WEIGHT -	SIZE A4	CAGE CODE 00779	DRAWING NO C=539737-2
CUSTOMER DRAWING			SCALE 2:1	SHEET 1 OF 1	REV A1