



Chipsmall Limited consists of a professional team with an average of over 10 year of expertise in the distribution of electronic components. Based in Hongkong, we have already established firm and mutual-benefit business relationships with customers from,Europe,America and south Asia,supplying obsolete and hard-to-find components to meet their specific needs.

With the principle of “Quality Parts,Customers Priority,Honest Operation,and Considerate Service”,our business mainly focus on the distribution of electronic components. Line cards we deal with include Microchip,ALPS,ROHM,Xilinx,Pulse,ON,Everlight and Freescale. Main products comprise IC,Modules,Potentiometer,IC Socket,Relay,Connector.Our parts cover such applications as commercial,industrial, and automotives areas.

We are looking forward to setting up business relationship with you and hope to provide you with the best service and solution. Let us make a better world for our industry!



Contact us

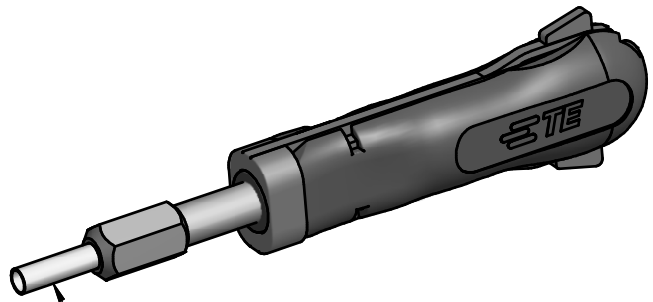
Tel: +86-755-8981 8866 Fax: +86-755-8427 6832

Email & Skype: info@chipsmall.com Web: www.chipsmall.com

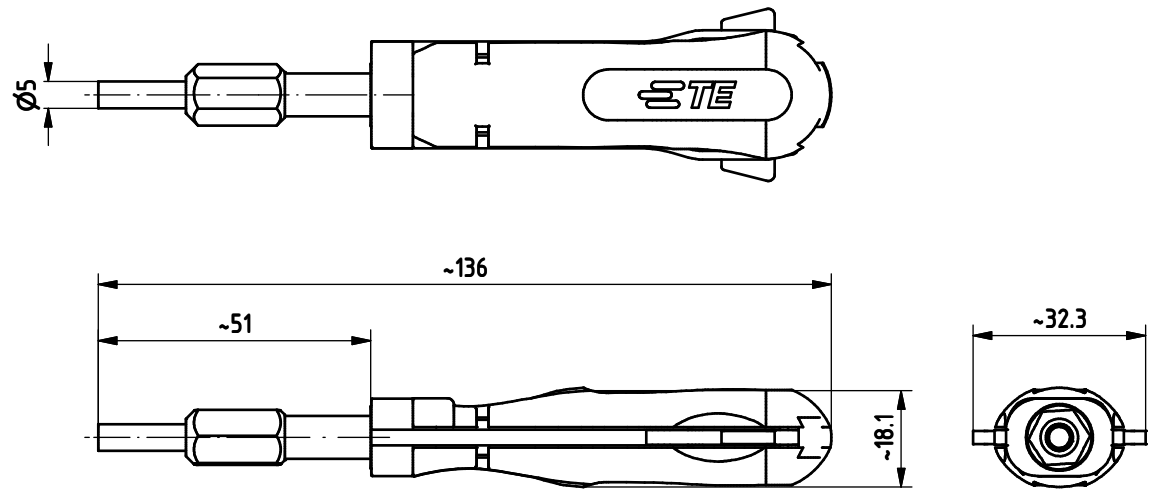
Address: A1208, Overseas Decoration Building, #122 Zhenhua RD., Futian, Shenzhen, China



LOC	DIST	REVISIONS					
AI	00	P	LTR	DESCRIPTION	DATE	DWN	APVD
		B2		ECR-16-009527	01JUL16	KH	RG

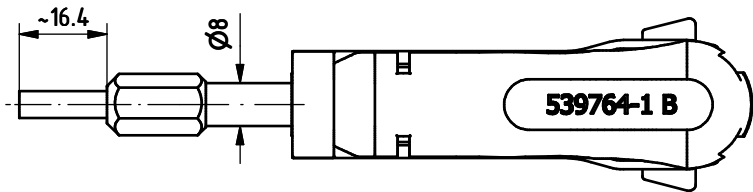


SPARE PART / Ersatzteil
 TE- P/N 5-1579007-9



APPLICATION RANGE / Anwendungsbereich:

Contact MNL Ø 3.5mm 925712



THIS DRAWING IS A CONTROLLED DOCUMENT.		DWN	J. Zajicek	16 JAN03	TE Connectivity			
DIMENSIONS: mm		CHK	J. Zajicek	16 JAN03				
		APVD	J. Zajicek	16 JAN03				
TOLERANCES UNLESS OTHERWISE SPECIFIED: 0 PLC ± 1 PLC ± 2 PLC ± 3 PLC ± 4 PLC ± ANGLES ±		PRODUCT SPEC	NAME			EXTRACTION TOOL Entriegelungswerkzeug		
MATERIAL		APPLICATION SPEC		Gewicht / Weight in Kg	SIZE	CAGE CODE	DRAWING NO	RESTRICTED TO
FINISH		0.025		A3	00779	539764-1		
CUSTOMER DRAWING				SCALE	1:1	SHEET	1 OF 1	REV
								B2