



Chipsmall Limited consists of a professional team with an average of over 10 year of expertise in the distribution of electronic components. Based in Hongkong, we have already established firm and mutual-benefit business relationships with customers from,Europe,America and south Asia,supplying obsolete and hard-to-find components to meet their specific needs.

With the principle of "Quality Parts,Customers Priority,Honest Operation,and Considerate Service",our business mainly focus on the distribution of electronic components. Line cards we deal with include Microchip,ALPS,ROHM,Xilinx,Pulse,ON,Everlight and Freescale. Main products comprise IC,Modules,Potentiometer,IC Socket,Relay,Connector.Our parts cover such applications as commercial,industrial, and automotives areas.

We are looking forward to setting up business relationship with you and hope to provide you with the best service and solution. Let us make a better world for our industry!



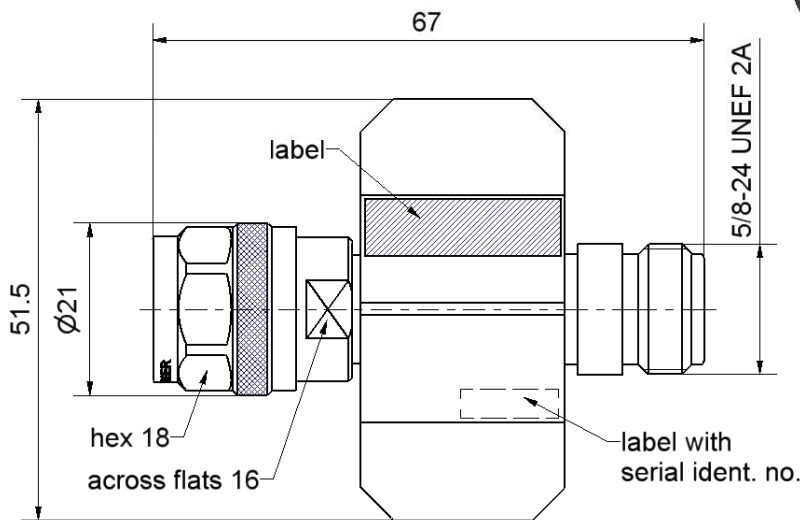
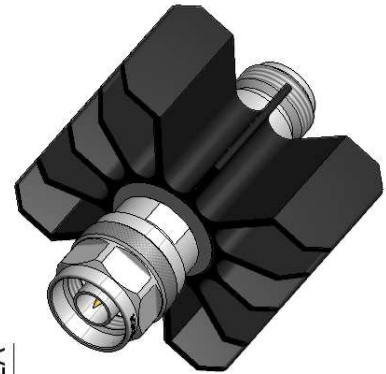
Contact us

Tel: +86-755-8981 8866 Fax: +86-755-8427 6832

Email & Skype: info@chipsmall.com Web: www.chipsmall.com

Address: A1208, Overseas Decoration Building, #122 Zhenhua RD., Futian, Shenzhen, China





All dimensions are in mm; tolerances according to ISO 2768 m-H

Interface

According to IEC 61169-16

Documents

N/A

Material and plating

Connector parts

Center conductor - plug
Center conductor - jack
Outer conductor
Coupling nut
Heatsink
Dielectric
Substrate

Material

Brass
Beryllium copper
Brass
Brass
Aluminum
PTFE
AlN

Plating

Gold, min. 1.27 μm , over nickel
Gold, min. 1.27 μm , over nickel
Flash white bronze over silver(e.g. Optargen®)
White bronze(e.g. Optalloy®)
Black anodized

Technical Data Sheet

Rosenberger

N 50 Ω

Attenuator
Plug / Jack 10 Watt

53AS110-K06N3

Electrical data

| | |
|--------------------------------------|---|
| Impedance | 50 Ω |
| Frequency | DC to 10 GHz |
| Return loss | ≥ 26.4 dB, DC to 2 GHz ≥ 21.2 dB, 2 GHz to 5 GHz ≥ 14.0 dB, 5 GHz to 10 GHz |
| Attenuation | 6 dB \pm 0.3 dB, DC to 2 GHz 6 dB \pm 0.5 dB, 2 GHz to 4 GHz 6 dB \pm 1.0 dB, 4 GHz to 10 GHz |
| Power handling (at 25 °C, sea level) | ≤ 10 W, derated linearity by 0.1 W/K |

Mechanical data

| | |
|----------------------------|------------------|
| Mating cycles | ≥ 500 |
| Coupling nut retention | ≥ 450 N |
| Center contact captivation | ≥ 28 N |
| Coupling test torque | ≤ 1.7 Nm |
| Recommended torque | 0.7 Nm to 1.1 Nm |

Environmental data

| | |
|-------------------|-------------------|
| Temperature range | -65 °C to +125 °C |
| RoHS | compliant |

Tooling

N/A

Suitable cables

N/A

Packing

| | |
|----------|--------------------------|
| Standard | 1 pce in air cushion bag |
| Weight | 155 g/pce |

While the information has been carefully compiled to the best of our knowledge, nothing is intended as representation or warranty on our part and no statement herein shall be construed as recommendation to infringe existing patents. In the effort to improve our products, we reserve the right to make changes judged to be necessary.

| Draft | Date | Approved | Date | Rev. | Engineering change number | Name | Date |
|--|----------|---------------|----------|------|---------------------------|---|---------------|
| Kerstin Herzog | 05.08.05 | Markus Müller | 20.07.18 | c00 | 18-1027 | Marion Striegler | 20.07.18 |
| Rosenberger Hochfrequenztechnik GmbH & Co. KG P.O.Box 1260 D-84526 Tittmoning Germany www.rosenberger.de | | | | | | Tel. : +49 8684 18-0 Email : info@rosenberger.de | Page 2 / 2 |