



Chipsmall Limited consists of a professional team with an average of over 10 year of expertise in the distribution of electronic components. Based in Hongkong, we have already established firm and mutual-benefit business relationships with customers from,Europe,America and south Asia,supplying obsolete and hard-to-find components to meet their specific needs.

With the principle of “Quality Parts,Customers Priority,Honest Operation,and Considerate Service”,our business mainly focus on the distribution of electronic components. Line cards we deal with include Microchip,ALPS,ROHM,Xilinx,Pulse,ON,Everlight and Freescale. Main products comprise IC,Modules,Potentiometer,IC Socket,Relay,Connector.Our parts cover such applications as commercial,industrial, and automotives areas.

We are looking forward to setting up business relationship with you and hope to provide you with the best service and solution. Let us make a better world for our industry!



## Contact us

Tel: +86-755-8981 8866 Fax: +86-755-8427 6832

Email & Skype: info@chipsmall.com Web: www.chipsmall.com

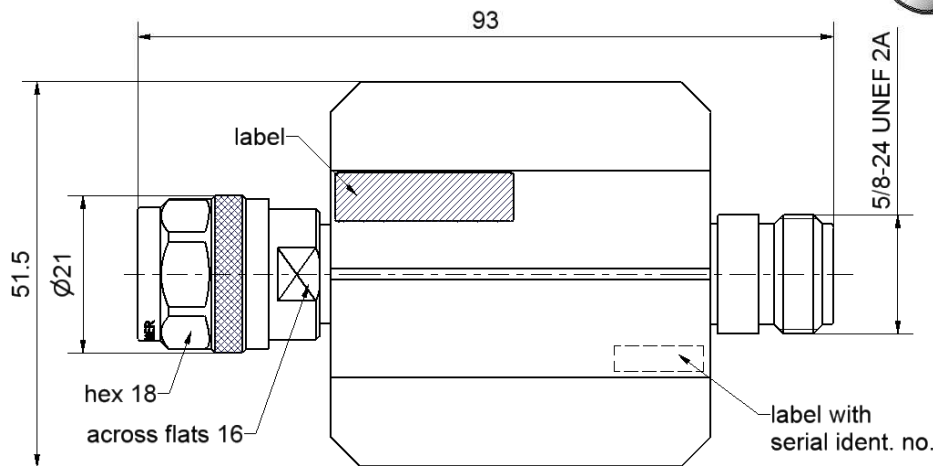
Address: A1208, Overseas Decoration Building, #122 Zhenhua RD., Futian, Shenzhen, China



N 50 Ω

Attenuator  
Plug / Jack 20 Watt

**53AS120-K10N3**



All dimensions are in mm; tolerances according to ISO 2768 m-H

**Interface**

According to IEC 61169-16

**Documents**

N/A

**Material and plating**

**Connector parts**

- Center conductor - plug
- Center conductor - jack
- Outer conductor
- Coupling nut
- Heatsink
- Dielectric
- Substrate

**Material**

- Brass
- Beryllium copper
- Brass
- Brass
- Aluminum
- PTFE
- AlN

**Plating**

- Gold, min. 1.27 μm, over nickel
- Gold, min. 1.27 μm, over nickel
- Flash white bronze over silver(e.g. Optargen®)
- White bronze(e.g. Optalloy®)
- Black anodized

# Technical Data Sheet

# Rosenberger

N 50  $\Omega$

Attenuator  
Plug / Jack 20 Watt

**53AS120-K10N3**

## Electrical data

Impedance	50 $\Omega$
Frequency	DC to 10 GHz
Return loss	$\geq 26.4$ dB, DC to 2 GHz $\geq 21.2$ dB, 2 GHz to 5 GHz $\geq 14.0$ dB, 5 GHz to 10 GHz
Attenuation	10 dB $\pm$ 0.3 dB, DC to 2 GHz 10 dB $\pm$ 0.5 dB, 2 GHz to 4 GHz 10 dB $\pm$ 1.0 dB, 4 GHz to 10 GHz
Power handling (at 25 °C, sea level)	$\leq 20$ W, derated linearity by 0.2 W/K

## Mechanical data

Mating cycles	$\geq 500$
Coupling nut retention	$\geq 450$ N
Center contact captivation	$\geq 28$ N
Coupling test torque	$\leq 1.7$ Nm
Recommended torque	0.7 Nm to 1.1 Nm

## Environmental data

Temperature range	-65 °C to +125 °C
RoHS	compliant

## Tooling

N/A

## Suitable cables

N/A

## Packing

Standard	1 pce in air cushion bag
Weight	270 g/pce

While the information has been carefully compiled to the best of our knowledge, nothing is intended as representation or warranty on our part and no statement herein shall be construed as recommendation to infringe existing patents. In the effort to improve our products, we reserve the right to make changes judged to be necessary.

Draft	Date	Approved	Date	Rev.	Engineering change number	Name	Date
Kerstin Herzog	05.08.05	Markus Müller	20.07.18	c00	18-1027	Marion Striegler	20.07.18
Rosenberger Hochfrequenztechnik GmbH & Co. KG P.O.Box 1260 D-84526 Tittmoning Germany www.rosenberger.de					Tel. : +49 8684 18-0 Email : info@rosenberger.de		Page 2 / 2