



Chipsmall Limited consists of a professional team with an average of over 10 year of expertise in the distribution of electronic components. Based in Hongkong, we have already established firm and mutual-benefit business relationships with customers from,Europe,America and south Asia,supplying obsolete and hard-to-find components to meet their specific needs.

With the principle of “Quality Parts,Customers Priority,Honest Operation,and Considerate Service”,our business mainly focus on the distribution of electronic components. Line cards we deal with include Microchip,ALPS,ROHM,Xilinx,Pulse,ON,Everlight and Freescale. Main products comprise IC,Modules,Potentiometer,IC Socket,Relay,Connector.Our parts cover such applications as commercial,industrial, and automotives areas.

We are looking forward to setting up business relationship with you and hope to provide you with the best service and solution. Let us make a better world for our industry!



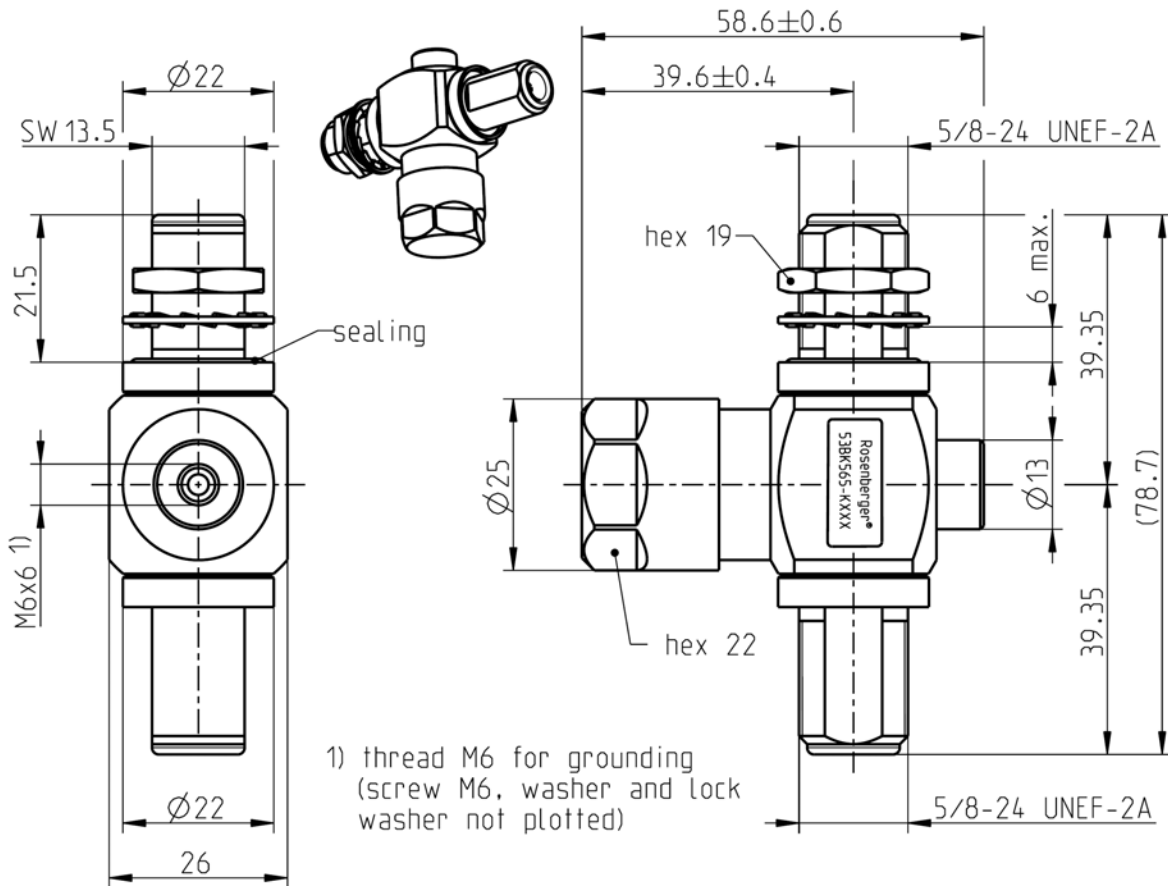
Contact us

Tel: +86-755-8981 8866 Fax: +86-755-8427 6832

Email & Skype: info@chipsmall.com Web: www.chipsmall.com

Address: A1208, Overseas Decoration Building, #122 Zhenhua RD., Futian, Shenzhen, China





All dimensions are in mm; tolerances according to ISO 2768 m-H

Order No	Nom. DC spark over voltage	Residual voltage (20kA 8/20 μ s)	Residual voltage (4kV 1.2/50 μ s, 2kA 8/20 μ s)	Residual energy (4kV 1.2/50 μ s, 2kA 8/20 μ s)	Power handling (20 °C, sea level, VSWR 1.0)	Gas capsule
53BK565-K090N1	90 V	≤ 650 V	≤ 650 V	≤ 1.2 mJ	1000 W	53ZB01-090
53BK565-K230N1	230 V					53ZB01-230
53BK565-K350N1	350 V					53ZB01-350

Interface

According to

IEC 61169-16, MIL-PRF-39012, CECC 22210

Documents

Panel piercing
Assembly instruction

B 13
60 X02

Material and plating

Connector parts

Center contact jack side
Outer contact
Body
Dielectric
Gasket

Material

Spring bronze
Brass
Brass
PTFE
Silicone

Plating

Silver, 3-6 μ m
Flash white bronze over silver (e.g. Optargen®)
Flash white bronze over silver (e.g. Optargen®)

Dieses Dokument ist urheberrechtlich geschützt • This document is protected by copyright • Rosenberger Hochfrequenztechnik GmbH & Co. KG

RF_35/05.10/6.0

Electrical data

Impedance	50 Ω
Frequency	698 to 2700 MHz
Return loss	≥ 21 dB, 698 to 800 MHz ≥ 26 dB, 800 to 960 MHz ≥ 21 dB, 960 to 1700 MHz ≥ 26 dB, 1700 to 2200 MHz ≥ 24 dB, 2200 to 2500 MHz ≥ 21 dB, 2500 to 2700 MHz
Insertion loss	≤ 0.1 dB
Center contact resistance	≤ 5 mΩ
Outer contact resistance	≤ 5 mΩ
RF-leakage	≥ 128 dB @ DC to 1 GHz
Intermodulation 3 rd order	< -117 dBm @ 2 x 20 W
Nominal impulse discharge current	10 x 20 kA (8/20 μs) 1 x 30 kA (8/20 μs)

Mechanical data

Mating cycles	≥ 500
Center contact captivation: axial	≥ 28 N
radial	≥ 3 Ncm
Recommended torque	0.7 Nm to 1.1 Nm

Environmental data

Temperature range	-45°C to +85°C
Thermal shock	MIL-STD-202, Meth. 107, Cond. B
Corrosion	MIL-STD-202, Meth. 101, Cond. B
Vibration	MIL-STD-202, Meth. 204, Cond. B
Shock	MIL-STD-202, Meth. 213, Cond. I
Moisture resistance	MIL-STD-202, Meth. 106
Degree of protection	IEC 60529, IP68 1h, 2.5 bar (mated condition)
RoHS	compliant

Weight

Weight	240 g/pce
--------	-----------

While the information has been carefully compiled to the best of our knowledge, nothing is intended as representation or warranty on our part and no statement herein shall be construed as recommendation to infringe existing patents. In the effort to improve our products, we reserve the right to make changes judged to be necessary.

Draft	Date	Approved	Date	Rev.	Engineering change number	Name	Date
M. Wimmer	26.03.12	J_Gramsamer	15.04.15	d00	15-0397	J_Krautenb.	15.04.15
Rosenberger Hochfrequenztechnik GmbH & Co. KG P.O.Box 1260 D-84526 Tittmoning Germany www.rosenberger.de						Tel. : +49 8684 18-0 Email : info@rosenberger.de	
							Page 2 / 2