



Chipsmall Limited consists of a professional team with an average of over 10 year of expertise in the distribution of electronic components. Based in Hongkong, we have already established firm and mutual-benefit business relationships with customers from,Europe,America and south Asia,supplying obsolete and hard-to-find components to meet their specific needs.

With the principle of “Quality Parts,Customers Priority,Honest Operation,and Considerate Service”,our business mainly focus on the distribution of electronic components. Line cards we deal with include Microchip,ALPS,ROHM,Xilinx,Pulse,ON,Everlight and Freescale. Main products comprise IC,Modules,Potentiometer,IC Socket,Relay,Connector.Our parts cover such applications as commercial,industrial, and automotives areas.

We are looking forward to setting up business relationship with you and hope to provide you with the best service and solution. Let us make a better world for our industry!



## Contact us

Tel: +86-755-8981 8866 Fax: +86-755-8427 6832

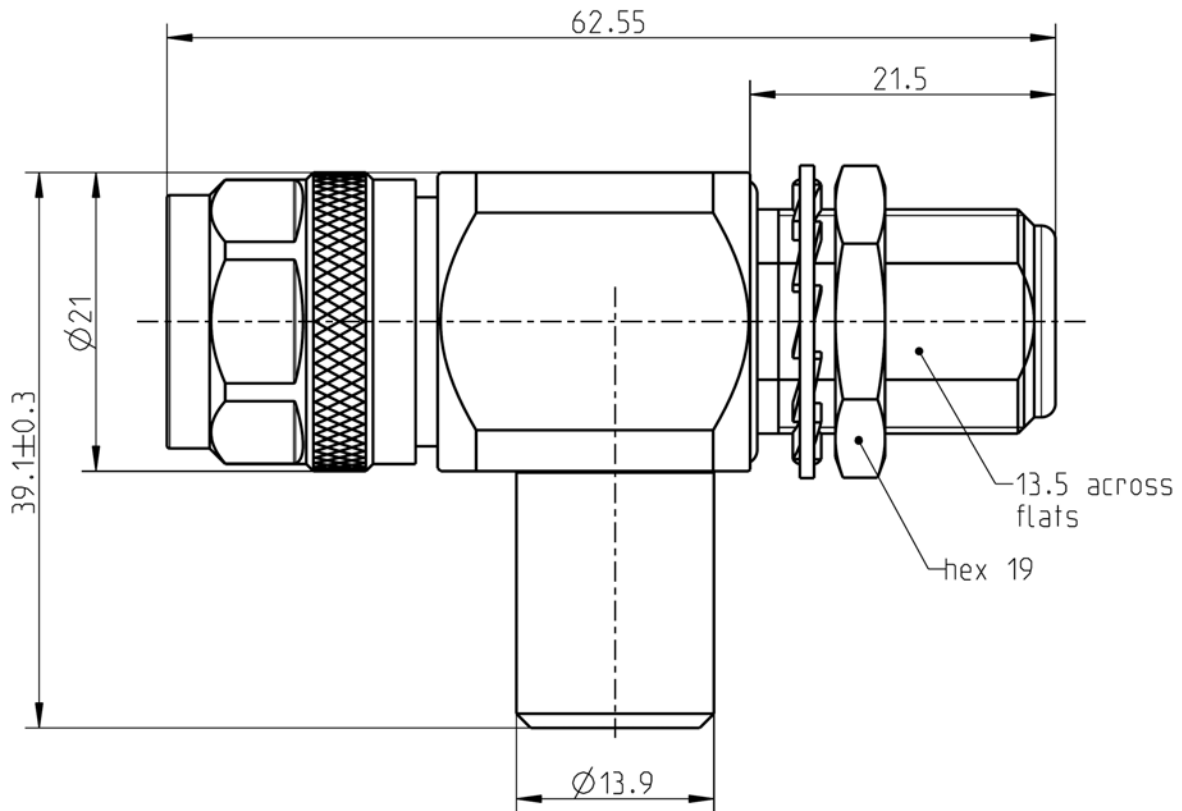
Email & Skype: info@chipsmall.com Web: www.chipsmall.com

Address: A1208, Overseas Decoration Building, #122 Zhenhua RD., Futian, Shenzhen, China



N 50 Ω SURGE ARRESTER  
JACK - PLUG

**53HK502-S00N1**



All dimensions are in mm. Tolerances acc. to ISO 2768 m-H

**Interface**

According to IEC 61169-16, MIL-PRF-39012, CECC 22210

**Documents**

Panel piercing B 13

**Material and plating**

**Connector parts**

Center contact jack side	<b>Material</b> Beryllium copper	<b>Plating</b> Silver, 3-6 µm
Center contact plug side	Brass	Silver, 3-6 µm
Outer contact	Brass	Flash white bronze over silver(e.g. Optargen®)
Body	Brass	Flash white bronze over silver(e.g. Optargen®)
Dielectric	PTFE	
Gasket	Silicone	
Gasket	NBR	

N 50 Ω SURGE ARRESTER  
JACK - PLUG

**53HK502-S00N1**

**Electrical data**

Impedance	50 Ω
Frequency	2300 to 5850 MHz
Return loss	≥ 25 dB, 2300 MHz to 2500 MHz ≥ 22 dB, 2500 MHz to 5700 MHz ≥ 25 dB, 5700 MHz to 5850 MHz
Insertion loss	≤ 0.1 dB
Insulation resistance	≥ 5 x10 <sup>3</sup> MΩ
Center contact resistance	≤ 1 mΩ
Outer contact resistance	≤ 0.25 mΩ
Power handling (at 20 °C, sea level, VSWR 1.0)	1000 W @ 1 GHz 700 W @ 2 GHz
RF-leakage	≥ 128 dB up to 1 GHz
Intermodulation (3 <sup>rd</sup> order)	≤ -117 dBm @ 2 x 20 W
Nominal impulse discharge current:	50 kA, Wave 8/20 μS

**Mechanical data**

Mating cycles	min. 500
Coupling nut retention	≥ 450 N
Center contact captivation: axial	≥ 28 N
radial	≥ 3 Ncm
Coupling test torque	max. 1.7 Nm
Recommended torque	0.7 Nm to 1.1 Nm

**Environmental data**

Temperature range	-45°C to +85°C
Thermal shock	MIL-STD-202, Meth. 107, Cond. B
Corrosion	MIL-STD-202, Meth. 101, Cond. B
Vibration	MIL-STD-202, Meth. 204, Cond. B
Shock	MIL-STD-202, Meth. 213, Cond. I
Moisture resistance	MIL-STD-202, Meth. 106
Degree of protection (mated pair)	IEC 60529, IP68 2.5 bar
RoHS	compliant

**Tooling**

N/A

**Suitable cables**

N/A

**Weight**

Weight 130 g/pce

While the information has been carefully compiled to the best of our knowledge, nothing is intended as representation or warranty on our part and no statement herein shall be construed as recommendation to infringe existing patents. In the effort to improve our products, we reserve the right to make changes judged to be necessary.

Draft	Date	Approved	Date	Rev.	Engineering change number	Name	Date
Gramsamer Sepp	01.09.05	Sa. Krautenbacher	18.03.14	200	14-0352	T. Krojer	18.03.14
Rosenberger Hochfrequenztechnik GmbH & Co. KG P.O.Box 1260 D-84526 Tittmoning Germany <a href="http://www.rosenberger.de">www.rosenberger.de</a>						Tel.: +49 8684 18-0 Fax: +49 8684 18-499 email: <a href="mailto:info@rosenberger.de">info@rosenberger.de</a>	
							Page
							2 / 2