



Chipsmall Limited consists of a professional team with an average of over 10 year of expertise in the distribution of electronic components. Based in Hongkong, we have already established firm and mutual-benefit business relationships with customers from,Europe,America and south Asia,supplying obsolete and hard-to-find components to meet their specific needs.

With the principle of “Quality Parts,Customers Priority,Honest Operation,and Considerate Service”,our business mainly focus on the distribution of electronic components. Line cards we deal with include Microchip,ALPS,ROHM,Xilinx,Pulse,ON,Everlight and Freescale. Main products comprise IC,Modules,Potentiometer,IC Socket,Relay,Connector.Our parts cover such applications as commercial,industrial, and automotives areas.

We are looking forward to setting up business relationship with you and hope to provide you with the best service and solution. Let us make a better world for our industry!



Contact us

Tel: +86-755-8981 8866 Fax: +86-755-8427 6832

Email & Skype: info@chipsmall.com Web: www.chipsmall.com

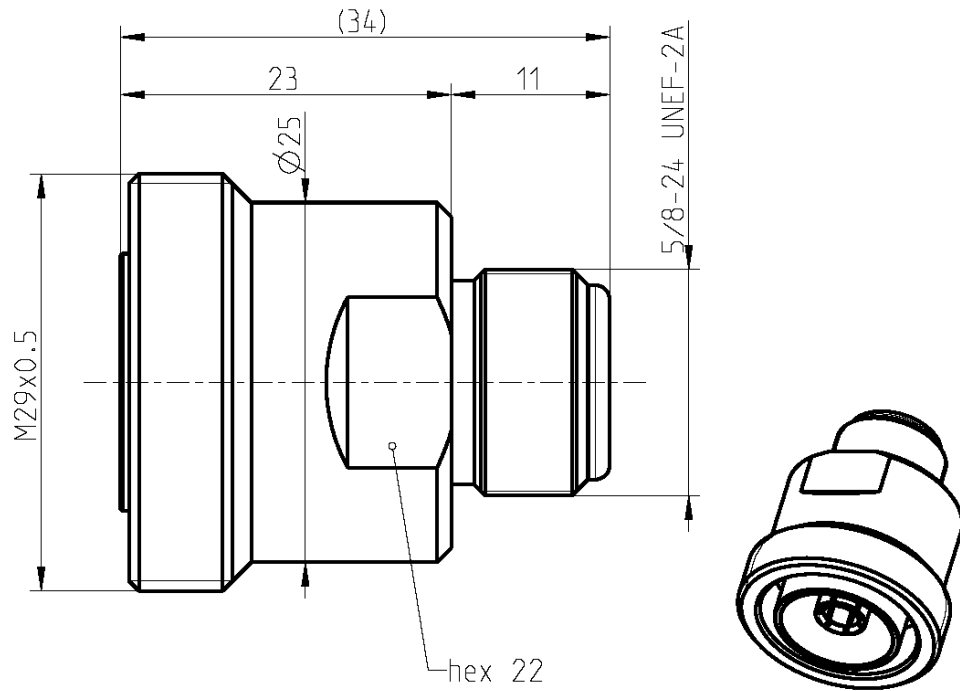
Address: A1208, Overseas Decoration Building, #122 Zhenhua RD., Futian, Shenzhen, China



N – 7/16

Adaptor
N Jack – 7/16 Jack

53K160-KIMN1



All dimensions are in mm; tolerances according to ISO 2768 m-H

Interface

According to	N side:	IEC 61169-16, MIL-PRF-39012, CECC 22210
	7/16 side:	IEC 61169-4, EN 122190, DIN 47223

Material and plating

Connector parts

Center contact
Outer contact
Dielectric

Material

CuBe or equiv.
Brass
PTFE

Plating

Silver, 3-6 µm
Flash white bronze over silver(e.g. Optargen®)

Dieses Dokument ist urheberrechtlich geschützt • This document is protected by copyright • Rosenberger Hochfrequenztechnik GmbH & Co. KG

RF_35/05.10/6.0

N – 7/16

Adaptor
N Jack – 7/16 Jack

53K160-KIMN1

Electrical data

Impedance	50 Ω	
Frequency	DC to 7.5 GHz	
Return loss	≥ 37 dB, DC to 2.5 GHz	
	≥ 36 dB, 2.5 to 4 GHz	
	≥ 25 dB, 4 to 7.5 GHz	
Insertion loss	≤ 0.05 dB	
Insulation resistance	≥ 5 x 10 ³ MΩ	
Center contact resistance	≤ 1 mΩ, N side;	≤ 0.4 mΩ, 7/16 side
Outer contact resistance	≤ 0.25 mΩ, N side;	≤ 1.5 mΩ, 7/16 side
Working voltage	500 V rms	
Power handling (at 20 °C, sea level, VSWR 1.0)	1000 W @ 1 GHz	
	700 W @ 2 GHz	
RF-leakage	≥ 128 dB up to 1 GHz	
Intermodulation (3 rd order)	≤ -130 dBm @ 2 x 20 W	

Mechanical data

	N side	7/16 side
Mating cycles	min. 500	min. 500
Coupling nut retention	≥ 450 N	≥ 1000 N
Center contact captivation: axial	≥ 200 N	≥ 200 N
radial	≥ 3 Ncm	≥ 3 Ncm
Coupling test torque	max. 1.7 Nm	max. 35 Nm
Recommended torque	0.7 Nm to 1.1 Nm	25 to 30 Nm

Environmental data

Temperature range	-45°C to +85°C
Rapid change of temperature	IEC 60068-2-14 Test Na
Corrosion salt mist	IEC 60068-2-11 Test Ka
Vibration	IEC 60068-2-6 Test Fc
Shock	IEC 60068-2-27 Test Ea
Climatic class	IEC 60068-1 (45/85/56)
Cold	IEC 60068-2-1 Test A
Dry heat	IEC 60068-2-2 Test B
Damp heat (steady state)	IEC 60068-2-3 Test Ca
Degree of protection (mated pair)	IEC 60529, IP68
RoHS	compliant

Weight

Weight 73 g/pce

While the information has been carefully compiled to the best of our knowledge, nothing is intended as representation or warranty on our part and no statement herein shall be construed as recommendation to infringe existing patents. In the effort to improve our products, we reserve the right to make changes judged to be necessary.

Draft	Date	Approved	Date	Rev.	Engineering change number	Name	Date
Martin Wimmer	30.07.2013	Rong Fang	12.04.17	a00	17-s027	S. Krautenb.	10.04.17
Rosenberger Hochfrequenztechnik GmbH & Co. KG P.O.Box 1260 D-84526 Tittmoning Germany www.rosenberger.de						Tel. : +49 8684 18-0 Email : info@rosenberger.de	
						Page 2 / 2	