



Chipsmall Limited consists of a professional team with an average of over 10 year of expertise in the distribution of electronic components. Based in Hongkong, we have already established firm and mutual-benefit business relationships with customers from,Europe,America and south Asia,supplying obsolete and hard-to-find components to meet their specific needs.

With the principle of “Quality Parts,Customers Priority,Honest Operation,and Considerate Service”,our business mainly focus on the distribution of electronic components. Line cards we deal with include Microchip,ALPS,ROHM,Xilinx,Pulse,ON,Everlight and Freescale. Main products comprise IC,Modules,Potentiometer,IC Socket,Relay,Connector.Our parts cover such applications as commercial,industrial, and automotives areas.

We are looking forward to setting up business relationship with you and hope to provide you with the best service and solution. Let us make a better world for our industry!



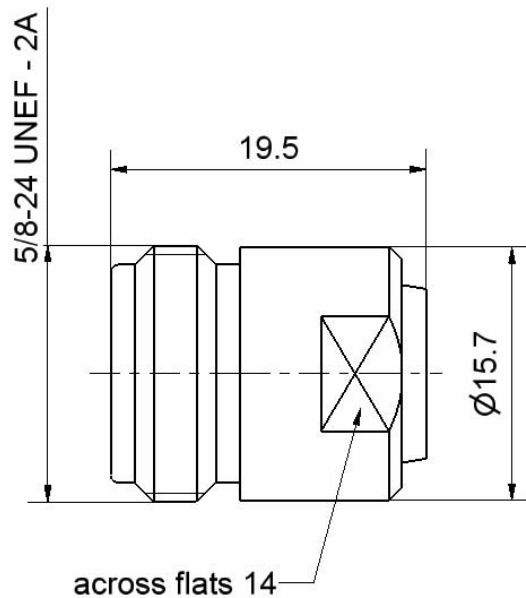
## Contact us

Tel: +86-755-8981 8866 Fax: +86-755-8427 6832

Email & Skype: info@chipsmall.com Web: www.chipsmall.com

Address: A1208, Overseas Decoration Building, #122 Zhenhua RD., Futian, Shenzhen, China





All dimensions are in mm; tolerances according to ISO 2768 m-H

**Interface**

According to IEC 60169-16, MIL-PRF-39012, CECC 22210

**Documents**

N/A

**Material and plating**

**Connector parts**

Center contact  
Outer contact  
Dielectric  
Substrate

**Material**

Beryllium copper  
Brass  
PTFE  
Al<sub>2</sub>O<sub>3</sub>

**Plating**

Gold, min. 1.27 µm, over nickel  
White bronze(e.g. Optalloy®)

N 50 Ω TERMINATION  
JACK 1 WATT

**53K1RR-001N3**

**Electrical data**

Impedance 50 Ω  
 Frequency DC to 4 GHz  
 Return loss ≥ 23.1 dB, DC to 4 GHz  
 Center contact resistance ≤ 1 mΩ  
 Outer contact resistance ≤ 0.25 mΩ  
 Power handling 1 W at 25°C  
 derated linearity to 0 Watts at 125°C

**Mechanical data**

Mating cycles min. 500  
 Center contact captivation ≥ 28 N  
 Coupling test torque max. 1.7 Nm  
 Recommended torque 0.7 Nm to 1.1 Nm

**Environmental data**

Temperature range -65°C to +165°C

**Tooling**

N/A

**Suitable cables**

N/A

**Packing**

Standard 60 pcs in blister  
 Weight 20 g/pce

While the information has been carefully compiled to the best of our knowledge, nothing is intended as representation or warranty on our part and no statement herein shall be construed as recommendation to infringe existing patents. In the effort to improve our products, we reserve the right to make changes judged to be necessary.

Draft	Date	Approved	Date	Rev.	Engineering change number	Name	Date
Kerstin Herzog	20/07/05	Frank Weiß	05/10/07	b00	07-0688	Kerstin Hobrak	05/10/07
Rosenberger Hochfrequenztechnik GmbH & Co. KG P.O.Box 1260 D-84526 Tittmoning Germany <a href="http://www.rosenberger.de">www.rosenberger.de</a>					Tel.: +49 8684 18-0 Fax: +49 8684 18-499 email: <a href="mailto:info@rosenberger.de">info@rosenberger.de</a>		Page 2 / 2