



Chipsmall Limited consists of a professional team with an average of over 10 year of expertise in the distribution of electronic components. Based in Hongkong, we have already established firm and mutual-benefit business relationships with customers from,Europe,America and south Asia,supplying obsolete and hard-to-find components to meet their specific needs.

With the principle of “Quality Parts,Customers Priority,Honest Operation,and Considerate Service”,our business mainly focus on the distribution of electronic components. Line cards we deal with include Microchip,ALPS,ROHM,Xilinx,Pulse,ON,Everlight and Freescale. Main products comprise IC,Modules,Potentiometer,IC Socket,Relay,Connector.Our parts cover such applications as commercial,industrial, and automotives areas.

We are looking forward to setting up business relationship with you and hope to provide you with the best service and solution. Let us make a better world for our industry!



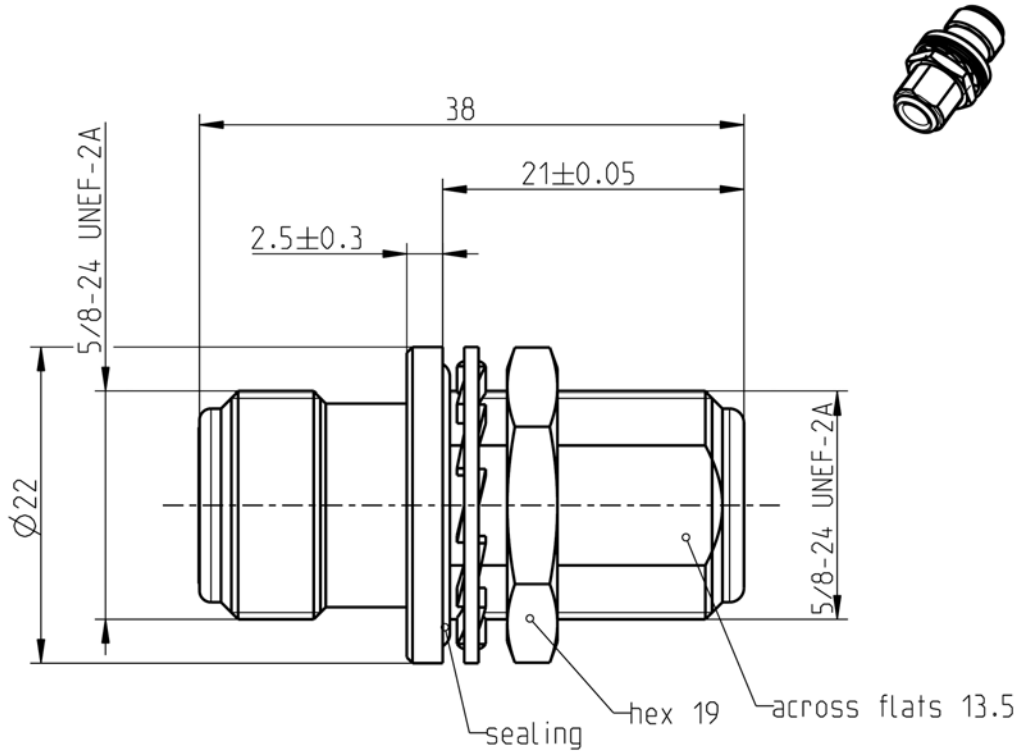
Contact us

Tel: +86-755-8981 8866 Fax: +86-755-8427 6832

Email & Skype: info@chipsmall.com Web: www.chipsmall.com

Address: A1208, Overseas Decoration Building, #122 Zhenhua RD., Futian, Shenzhen, China





All dimensions are in mm; tolerances according to ISO 2768 m-H

Interface

According to IEC 61169-16, MIL-PRF-39012, CECC 22210

Documents

B 13

Material and plating

Connector parts

- Center contact
- Outer contact
- Body
- Dielectric
- Gasket

Material

- Spring bronze
- Brass
- Brass
- PTFE
- NBR

Plating

- AuroDur®, gold plated
- Flash white bronze over silver(e.g. Optargen®)
- Flash white bronze over silver(e.g. Optargen®)

Dieses Dokument ist urheberrechtlich geschützt • This document is protected by copyright • Rosenberger Hochfrequenztechnik GmbH & Co. KG

RF_35/05.10/6.0

N 50 Ω ADAPTOR
JACK - JACK

53K502-K00N5

Electrical data

Impedance 50 Ω
 Frequency DC to 11 GHz
 Return loss ≥ 30 dB, DC to 3 GHz
 ≥ 21 dB, 3 to 6 GHz
 ≥ 14 dB, 6 to 11 GHz
 Insertion loss ≤ 0.05 dB
 Insulation resistance ≥ 5 x10³ MΩ
 Center contact resistance ≤ 1 mΩ
 Outer contact resistance ≤ 0.25 mΩ
 Working voltage 500 V rms
 Power handling (at 20 °C, sea level, VSWR 1.0) 1000 W @ 1 GHz
 700 W @ 2 GHz
 RF-leakage ≥ 128 dB up to 1 GHz
 Intermodulation (3rd order) ≤ -115 dBm @ 2 x 20 W

Mechanical data

Mating cycles min. 500
 Center contact captivation: axial ≥ 28 N
 Coupling test torque max. 1.7 Nm
 Recommended torque 0.7 Nm to 1.1 Nm

Environmental data

Temperature range -25°C to +85°C
 Thermal shock MIL-STD-202, Meth. 107, Cond. B
 Corrosion MIL-STD-202, Meth. 101, Cond. B
 Vibration MIL-STD-202, Meth. 204, Cond. B
 Shock MIL-STD-202, Meth. 213, Cond. I
 Moisture resistance MIL-STD-202, Meth. 106
 Degree of protection (unmated) IEC 60529, IP67
 RoHS compliant

Weight

Weight 46 g/pce

While the information has been carefully compiled to the best of our knowledge, nothing is intended as representation or warranty on our part and no statement herein shall be construed as recommendation to infringe existing patents. In the effort to improve our products, we reserve the right to make changes judged to be necessary.

Dieses Dokument ist urheberrechtlich geschützt • This document is protected by copyright • Rosenberger Hochfrequenztechnik GmbH & Co. KG

RF_35/05.10/6.0

Draft	Date	Approved	Date	Rev.	Engineering change number	Name	Date
Inge Mühlauer	08/06/04	J_Gramsamer	17.04.15	h00	15-0397	J_Krautenb.	17.04.15
Rosenberger Hochfrequenztechnik GmbH & Co. KG P.O.Box 1260 D-84526 Tittmoning Germany www.rosenberger.de					Tel.: +49 8684 18-0 email: info@rosenberger.de		Page 2 / 2