



Chipsmall Limited consists of a professional team with an average of over 10 year of expertise in the distribution of electronic components. Based in Hongkong, we have already established firm and mutual-benefit business relationships with customers from,Europe,America and south Asia,supplying obsolete and hard-to-find components to meet their specific needs.

With the principle of “Quality Parts,Customers Priority,Honest Operation,and Considerate Service”,our business mainly focus on the distribution of electronic components. Line cards we deal with include Microchip,ALPS,ROHM,Xilinx,Pulse,ON,Everlight and Freescale. Main products comprise IC,Modules,Potentiometer,IC Socket,Relay,Connector.Our parts cover such applications as commercial,industrial, and automotives areas.

We are looking forward to setting up business relationship with you and hope to provide you with the best service and solution. Let us make a better world for our industry!



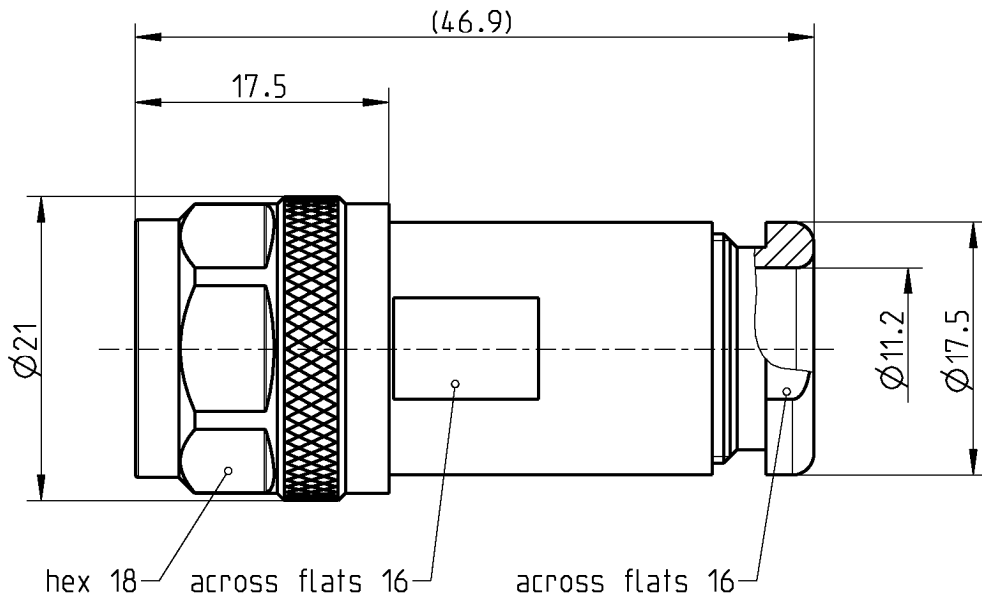
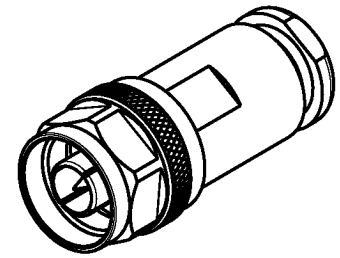
## Contact us

Tel: +86-755-8981 8866 Fax: +86-755-8427 6832

Email & Skype: info@chipsmall.com Web: www.chipsmall.com

Address: A1208, Overseas Decoration Building, #122 Zhenhua RD., Futian, Shenzhen, China





All dimensions are in mm; tolerances according to ISO 2768 m-H

**Interface**

According to IEC 60169-16, MIL-PRF-39012, CECC 22210

**Documents**

Assembly instruction 53 B

**Material and plating**

**Connector parts**

Center contact  
Outer contact  
Body  
Dielectric  
Gasket

**Material**

Brass  
Brass  
Brass  
PTFE  
Silicone

**Plating**

AuroDur®, gold plated  
Flash white bronze over silver(e.g. Optargen®)  
Flash white bronze over silver(e.g. Optargen®)

N 50  $\Omega$  STRAIGHT PLUG**53S102-015N5****Electrical data**

Impedance	50 $\Omega$
Frequency	DC to 11 GHz
Return loss	$\geq 34$ dB, DC to 2.5 GHz $\geq 30$ dB, 2.5 to 3 GHz $\geq 20$ dB, 3 to 5 GHz
Insertion loss	$\leq 0.05$ dB, Dc to 5 GHz
Insulation resistance	$\geq 5 \times 10^3$ M $\Omega$
Center contact resistance	$\leq 1$ m $\Omega$
Outer contact resistance	$\leq 0.25$ m $\Omega$
Working voltage	500 V rms
Power handling (at 20 °C, sea level, VSWR 1.0)	1000 W @ 1 GHz 700 W @ 2 GHz
RF-leakage	$\geq 128$ dB up to 1 GHz

- Limitations are possible due to the used cable type -

**Mechanical data**

Mating cycles	min. 500
Coupling nut retention	$\geq 450$ N
Coupling test torque	max. 1.7 Nm
Recommended torque	0.7 Nm to 1.1 Nm

**Environmental data**

Temperature range	-55°C to +155°C
Thermal shock	MIL-STD-202, Meth. 107, Cond. B
Corrosion	MIL-STD-202, Meth. 101, Cond. B
Vibration	MIL-STD-202, Meth. 204, Cond. B
Shock	MIL-STD-202, Meth. 213, Cond. I
Moisture resistance	MIL-STD-202, Meth. 106
Degree of protection (mated pair)	IEC 60529, IP67
RoHS	compliant

**Tooling**

N/A

**Suitable cables**

RG 213/U, RG 214 /U, RG 393 /U

**Weight**

Weight 52.2 g/pce

While the information has been carefully compiled to the best of our knowledge, nothing is intended as representation or warranty on our part and no statement herein shall be construed as recommendation to infringe existing patents. In the effort to improve our products, we reserve the right to make changes judged to be necessary.

Draft	Date	Approved	Date	Rev.	Engineering change number	Name	Date
Inge Mühlauer	08/06/04	J_Gramsamer	17.04.15	c00	15-0397	J_Krautenb.	17.04.15
Rosenberger Hochfrequenztechnik GmbH & Co. KG P.O.Box 1260 D-84526 Tittmoning Germany <a href="http://www.rosenberger.de">www.rosenberger.de</a>					Tel.: +49 8684 18-0 email: <a href="mailto:info@rosenberger.de">info@rosenberger.de</a>		Page 2 / 2