



Chipsmall Limited consists of a professional team with an average of over 10 year of expertise in the distribution of electronic components. Based in Hongkong, we have already established firm and mutual-benefit business relationships with customers from,Europe,America and south Asia,supplying obsolete and hard-to-find components to meet their specific needs.

With the principle of “Quality Parts,Customers Priority,Honest Operation,and Considerate Service”,our business mainly focus on the distribution of electronic components. Line cards we deal with include Microchip,ALPS,ROHM,Xilinx,Pulse,ON,Everlight and Freescale. Main products comprise IC,Modules,Potentiometer,IC Socket,Relay,Connector.Our parts cover such applications as commercial,industrial, and automotives areas.

We are looking forward to setting up business relationship with you and hope to provide you with the best service and solution. Let us make a better world for our industry!



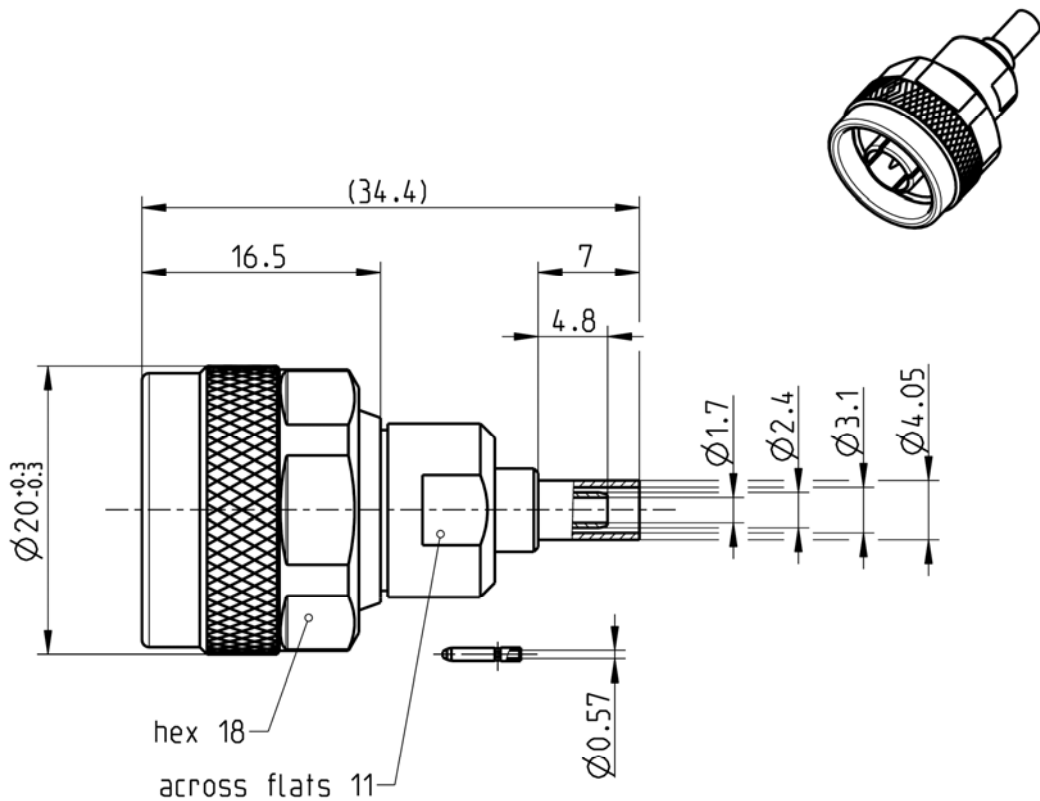
Contact us

Tel: +86-755-8981 8866 Fax: +86-755-8427 6832

Email & Skype: info@chipsmall.com Web: www.chipsmall.com

Address: A1208, Overseas Decoration Building, #122 Zhenhua RD., Futian, Shenzhen, China





All dimensions are in mm; tolerances according to ISO 2768 m-H

Interface

According to IEC 60169-16, MIL-PRF-39012, CECC 22210

Documents

Assembly instruction 51 T

Material and plating

Connector parts

- Center contact
- Outer contact
- Body
- Dielectric
- Gasket
- Crimping ferrule

Material

- Spring bronze
- Brass
- Brass
- PTFE
- Silicone
- Copper

Plating

- AuroDur®, gold plated
- Flash white bronze over silver(e.g. Optargen®)
- Flash white bronze over silver(e.g. Optargen®)
- Flash white bronze over silver(e.g. Optargen®)

Electrical data

Impedance	50 Ω
Frequency	DC to 11 GHz
Return loss	≥ 35 dB, DC to 1 GHz ≥ 30 dB, 1 to 2.5 GHz ≥ 20 dB, 2.5 to 8 GHz
Insertion loss	≤ 0.05 dB, DC to 8 GHz
Insulation resistance	≥ 5 x10 ³ MΩ
Center contact resistance	≤ 1 mΩ
Outer contact resistance	≤ 0.25 mΩ
Working voltage	500 V rms
Power handling (at 20 °C, sea level, VSWR 1.0)	1000 W @ 1 GHz 700 W @ 2 GHz
RF-leakage	≥ 128 dB up to 1 GHz

- Limitations are possible due to the used cable type -

Mechanical data

Mating cycles	min. 500
Coupling nut retention	≥ 450 N
Center contact captivation: axial	≥ 28 N
radial	≥ 3 Ncm
Coupling test torque	max. 1.7 Nm
Recommended torque	0.7 Nm to 1.1 Nm

Environmental data

Temperature range	-45°C to +85°C
Thermal shock	MIL-STD-202, Meth. 107, Cond. B
Corrosion	MIL-STD-202, Meth. 101, Cond. B
Vibration	MIL-STD-202, Meth. 204, Cond. B
Shock	MIL-STD-202, Meth. 213, Cond. I
Moisture resistance	MIL-STD-202, Meth. 106
RoHS	compliant

Tooling

Crimping tool	11W150-000
Crimp insert	11W150-402

Suitable cables

RG 174 A/U, RG 316 /U, RG 188 A/U

Weight

Weight	24.2 g/pce
--------	------------

While the information has been carefully compiled to the best of our knowledge, nothing is intended as representation or warranty on our part and no statement herein shall be construed as recommendation to infringe existing patents. In the effort to improve our products, we reserve the right to make changes judged to be necessary.

Draft	Date	Approved	Date	Rev.	Engineering change number	Name	Date
F.Schmidhammer	10/10/07	J_Gramsamer	20.04.15	f00	15-0397	J_Krautenb.	20.04.15
Rosenberger Hochfrequenztechnik GmbH & Co. KG P.O.Box 1260 D-84526 Tittmoning Germany www.rosenberger.de					Tel.: +49 8684 18-0 email: info@rosenberger.de		Page 2 / 2