



Chipsmall Limited consists of a professional team with an average of over 10 year of expertise in the distribution of electronic components. Based in Hongkong, we have already established firm and mutual-benefit business relationships with customers from,Europe,America and south Asia,supplying obsolete and hard-to-find components to meet their specific needs.

With the principle of “Quality Parts,Customers Priority,Honest Operation,and Considerate Service”,our business mainly focus on the distribution of electronic components. Line cards we deal with include Microchip,ALPS,ROHM,Xilinx,Pulse,ON,Everlight and Freescale. Main products comprise IC,Modules,Potentiometer,IC Socket,Relay,Connector.Our parts cover such applications as commercial,industrial, and automotives areas.

We are looking forward to setting up business relationship with you and hope to provide you with the best service and solution. Let us make a better world for our industry!



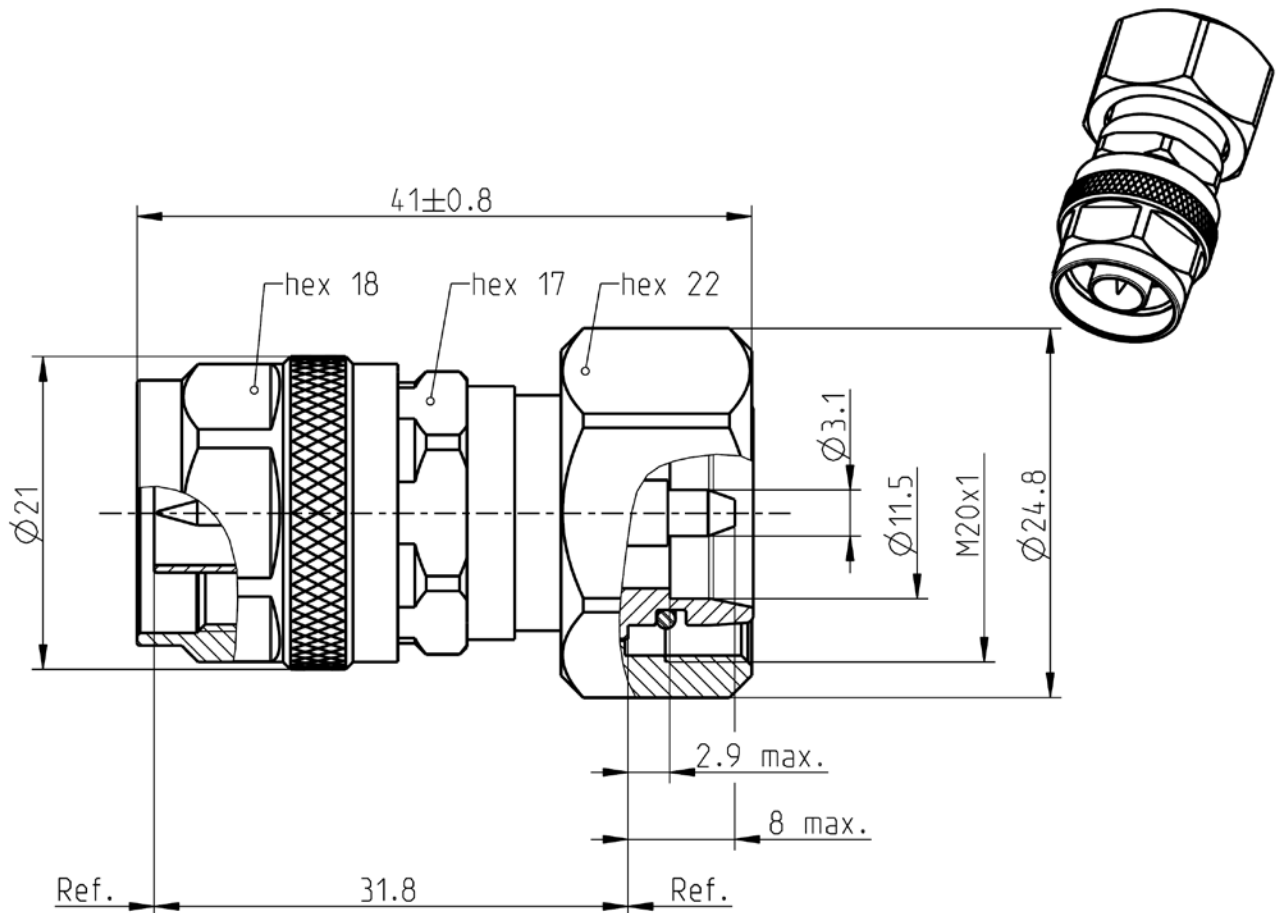
Contact us

Tel: +86-755-8981 8866 Fax: +86-755-8427 6832

Email & Skype: info@chipsmall.com Web: www.chipsmall.com

Address: A1208, Overseas Decoration Building, #122 Zhenhua RD., Futian, Shenzhen, China





All dimensions are in mm; tolerances according to ISO 2768 m-H

Interface

According to 4.3-10 side: IEC 61169-54
N side: IEC 61169-16, MIL-PRF-39012, CECC 22210

Documents

Assembly instruction N/A

Material and plating

Connector parts

Connector parts	4.3-10 side:	N side:	Material	Plating
Center contact			Brass	Silver, 3-6 µm
Center contact			Brass	Silver, 3-6 µm
Outer contact			Brass	Flash white bronze over silver(e.g. Optargen®)
Body			Brass	Flash white bronze over silver(e.g. Optargen®)
Dielectric			PTFE	
Gasket			Silicone	

Electrical data

Impedance	50 Ω	
Frequency	DC to 12 GHz	
Return loss	≥ 36 dB @ DC to 4 GHz	
	≥ 32 dB @ 4 GHz to 6 GHz	
Insertion loss	≤ 0.05 x √ f [GHz] dB	
Insulation resistance	≥ 5 GΩ	
Center contact resistance	≤ 1.0 mΩ, 4.3-10 side	≤ 1.0 mΩ, N side
Outer contact resistance	≤ 1.0 mΩ, 4.3-10 side	≤ 0.25 mΩ, N side
Test voltage	2500 V rms	
Working voltage	500 V rms	
RF-leakage	≥ 128 dB @ DC to 1 GHz	
Power handling (at 20 °C, sea level, VSWR 1.0)	1000 W @ 1 GHz	
	700 W @ 2 GHz	
Intermodulation (3 rd order)	≥ 155 dBc (2 x 43 dBm)	

- RL values only valid for the interface -

Mechanical data

	4.3-10 side	N side
Mating cycles	≥ 100	min. 500
Center contact captivation: axial	≥ 30 N	≥ 28 N
radial	> 5 Ncm	≥ 3 Ncm
Center contact retention force	1.5 N – 20 N	
Recommended torque	5 Nm	0.7 to 1.1 Nm

Environmental data

Temperature range	-55 °C to +90 °C operating temperature
Thermal shock	IEC 60169-1, Sub-clause 16.4
Corrosion resistance	ISO 21207 method B
Vibration	IEC 61169-1 9.3.3 and IEC 60068-2-64
Shock	IEC 61169-1 9.3.14
Degree of protection (mated pair)	IEC 60529, IP68 1h / 25m
RoHS	compliant

Tooling

N/A

Suitable cables

N/A

Weight

Weight 62.16 g/pce

While the information has been carefully compiled to the best of our knowledge, nothing is intended as representation or warranty on our part and no statement herein shall be construed as recommendation to infringe existing patents. In the effort to improve our products, we reserve the right to make changes judged to be necessary.

Draft	Date	Approved	Date	Rev.	Engineering change number	Name	Date
F. Fraunhofer	26.07.2013	F. Fraunhofer	26.03.15	a00	15-s143	S. Krautenb.	25.03.15
Rosenberger Hochfrequenztechnik GmbH & Co. KG P.O.Box 1260 D-84526 Tittmoning Germany www.rosenberger.de						Tel. : +49 8684 18-0 Email : info@rosenberger.de	
							Page 2 / 2