



Chipsmall Limited consists of a professional team with an average of over 10 year of expertise in the distribution of electronic components. Based in Hongkong, we have already established firm and mutual-benefit business relationships with customers from,Europe,America and south Asia,supplying obsolete and hard-to-find components to meet their specific needs.

With the principle of “Quality Parts,Customers Priority,Honest Operation,and Considerate Service”,our business mainly focus on the distribution of electronic components. Line cards we deal with include Microchip,ALPS,ROHM,Xilinx,Pulse,ON,Everlight and Freescale. Main products comprise IC,Modules,Potentiometer,IC Socket,Relay,Connector.Our parts cover such applications as commercial,industrial, and automotives areas.

We are looking forward to setting up business relationship with you and hope to provide you with the best service and solution. Let us make a better world for our industry!



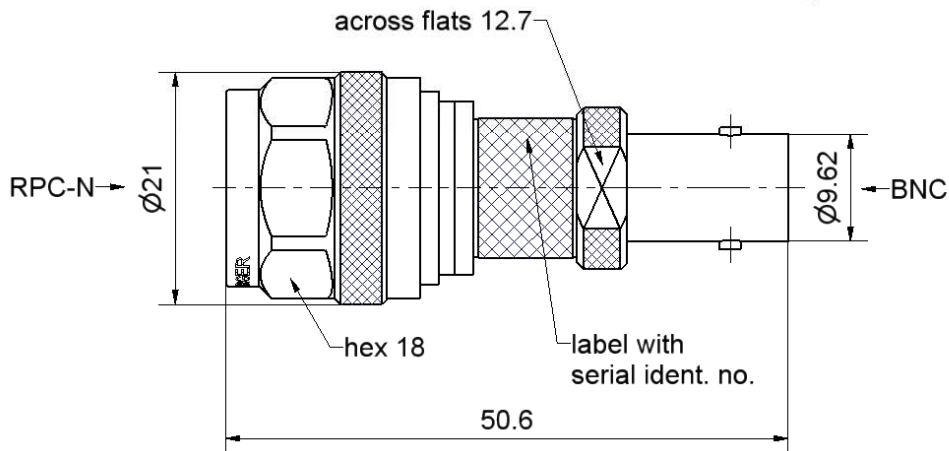
Contact us

Tel: +86-755-8981 8866 Fax: +86-755-8427 6832

Email & Skype: info@chipsmall.com Web: www.chipsmall.com

Address: A1208, Overseas Decoration Building, #122 Zhenhua RD., Futian, Shenzhen, China





All dimensions are in mm; tolerances according to ISO 2768 m-H

Interface

N side according to IEC 61169-16
BNC side according to IEC 61169-8

Documents

N/A

Material and plating

Connector parts

Center conductor - plug
Center conductor - jack
Outer conductor
Coupling nut
Dielectric
Substrate

Material

Brass
Beryllium copper
Brass
Brass
PTFE
Al₂O₃

Plating

Gold, min. 1.27 μm, over nickel
Gold, min. 0.8 μm, over nickel
Flash white bronze over silver(e.g. Optargen®)
White bronze(e.g. Optalloy®)

Technical Data Sheet

Rosenberger

Matching Attenuator
N 50 Ω Plug / BNC 75 Ω Jack

53S171-K00N3

Electrical data

| | | |
|--------------------------------------|--------------------------------------|--|
| Impedance | 50 Ω; (m) side | 75 Ω, (f) side |
| Frequency | DC to 2 GHz | |
| Return loss | ≥ 46.0 dB, (m) side | DC to 30 MHz ≥ 44.5 dB, (f) side |
| | ≥ 42.0 dB, (m) side | 30 MHz to 100 MHz ≥ 40.1 dB, (f) side |
| | ≥ 36.6 dB, (m) side | 100 MHz to 300 MHz ≥ 34.1 dB, (f) side |
| | ≥ 28.3 dB, (m) side | 300 MHz to 0.5 GHz ≥ 28.3 dB, (f) side |
| | ≥ 26.4 dB, (m) side | 0.5 GHz to 1 GHz ≥ 23.1 dB, (f) side |
| | ≥ 23.1 dB, (m) side | 1 GHz to 2 GHz ≥ 16.5 dB, (f) side |
| Attenuation | 5.72 dB (non warrented) | |
| Power handling (at 25 °C, sea level) | ≤ 1 W, derated linearity by 0.01 W/K | |

Mechanical data

| | | |
|----------------------------|------------------|--------------|
| | N (m) side | BNC (f) side |
| Mating cycles | ≥ 500 | ≥ 500 |
| Coupling nut retention | ≥ 450 N | |
| Center contact captivation | ≥ 28 N | ≥ 27 N |
| Coupling test torque | ≤ 1.7 Nm | |
| Recommended torque | 0.7 Nm to 1.1 Nm | |

Environmental data

| | |
|-------------------|-------------------|
| Temperature range | -65 °C to +165 °C |
| RoHS | compliant |

Tooling

N/A

Suitable cables

N/A

Packing

| | |
|----------|--------------|
| Standard | 1 pce in bag |
| Weight | 42.7 g/pce |

While the information has been carefully compiled to the best of our knowledge, nothing is intended as representation or warranty on our part and no statement herein shall be construed as recommendation to infringe existing patents. In the effort to improve our products, we reserve the right to make changes judged to be necessary.

| Draft | Date | Approved | Date | Rev. | Engineering change number | Name | Date |
|--|----------|---------------|----------|------|---|------------------|---------------|
| Kerstin Herzog | 21.04.08 | Markus Müller | 20.07.18 | b00 | 18-1027 | Marion Striegler | 20.07.18 |
| Rosenberger Hochfrequenztechnik GmbH & Co. KG P.O.Box 1260 D-84526 Tittmoning Germany www.rosenberger.de | | | | | Tel. : +49 8684 18-0 Email : info@rosenberger.de | | Page 2 / 2 |