



Chipsmall Limited consists of a professional team with an average of over 10 year of expertise in the distribution of electronic components. Based in Hongkong, we have already established firm and mutual-benefit business relationships with customers from,Europe,America and south Asia,supplying obsolete and hard-to-find components to meet their specific needs.

With the principle of “Quality Parts,Customers Priority,Honest Operation,and Considerate Service”,our business mainly focus on the distribution of electronic components. Line cards we deal with include Microchip,ALPS,ROHM,Xilinx,Pulse,ON,Everlight and Freescale. Main products comprise IC,Modules,Potentiometer,IC Socket,Relay,Connector.Our parts cover such applications as commercial,industrial, and automotives areas.

We are looking forward to setting up business relationship with you and hope to provide you with the best service and solution. Let us make a better world for our industry!



Contact us

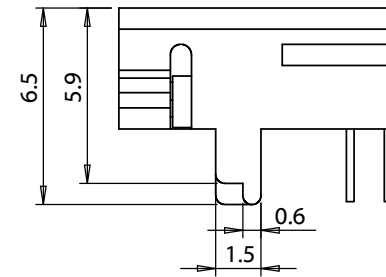
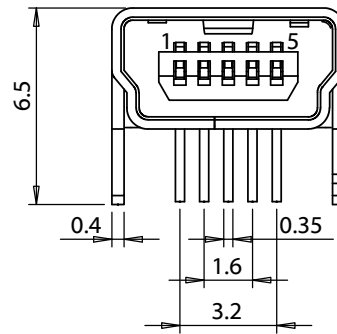
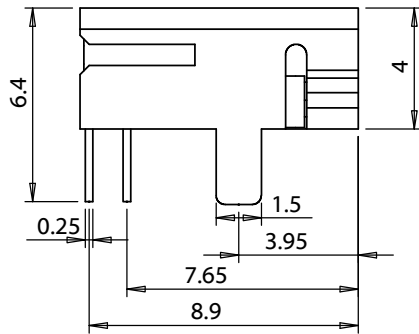
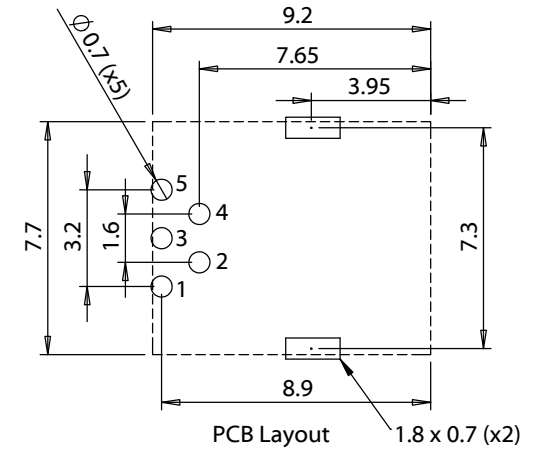
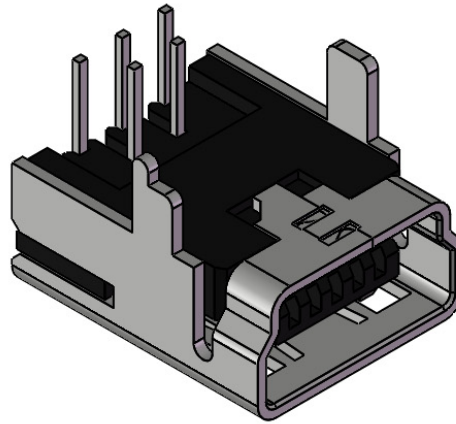
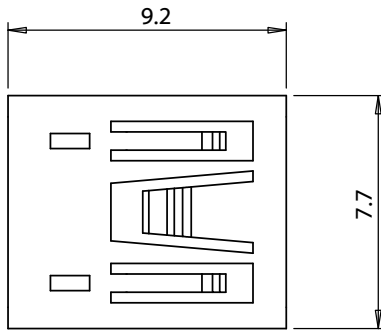
Tel: +86-755-8981 8866 Fax: +86-755-8427 6832

Email & Skype: info@chipsmall.com Web: www.chipsmall.com

Address: A1208, Overseas Decoration Building, #122 Zhenhua RD., Futian, Shenzhen, China



USB mini B jack 90° PCB mount



DIMENSIONS ARE IN MILLIMETERS

TOLERANCES:
Up to 1.0: ± 0.1 mm
1.0 to 10.0: ± 0.2 mm
Over 10.0: ± 0.3 mm

NOTES

RoHS and REACH compliant

DESCRIPTION:

Connector, USB mini B Jack, PCB mount, 90°, DIP, black insulator

TENSILITY

20802 Sockeye Place #130

Bend, OR 97701 USA

tel 541.323.3228 fax 541.323.4202

800 877.670.7118 www.tensility.com

SIZE

A

PART NUMBER

54-00027

SCALE: 1:1

SHEET 1 OF 2

