



Chipsmall Limited consists of a professional team with an average of over 10 year of expertise in the distribution of electronic components. Based in Hongkong, we have already established firm and mutual-benefit business relationships with customers from,Europe,America and south Asia,supplying obsolete and hard-to-find components to meet their specific needs.

With the principle of “Quality Parts,Customers Priority,Honest Operation,and Considerate Service”,our business mainly focus on the distribution of electronic components. Line cards we deal with include Microchip,ALPS,ROHM,Xilinx,Pulse,ON,Everlight and Freescale. Main products comprise IC,Modules,Potentiometer,IC Socket,Relay,Connector.Our parts cover such applications as commercial,industrial, and automotives areas.

We are looking forward to setting up business relationship with you and hope to provide you with the best service and solution. Let us make a better world for our industry!



Contact us

Tel: +86-755-8981 8866 Fax: +86-755-8427 6832

Email & Skype: info@chipsmall.com Web: www.chipsmall.com

Address: A1208, Overseas Decoration Building, #122 Zhenhua RD., Futian, Shenzhen, China



Ratings
 Voltage: 30 Vdc
 Current: 300 mA

Operating Temperature Range
 -25° to 85°C, relative humidity of 85% or less

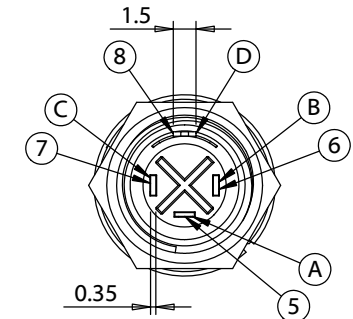
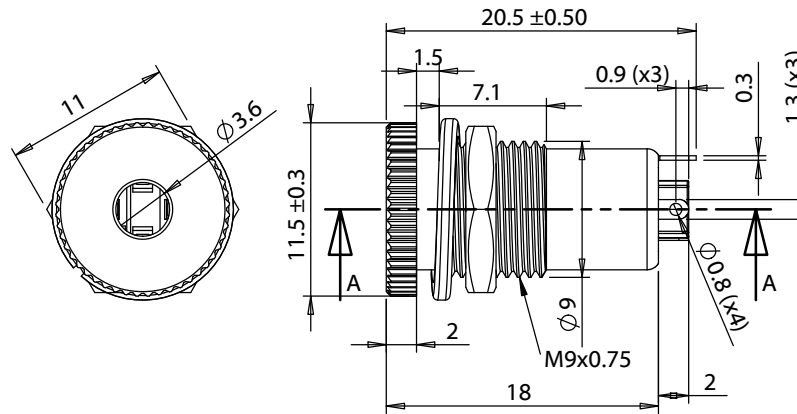
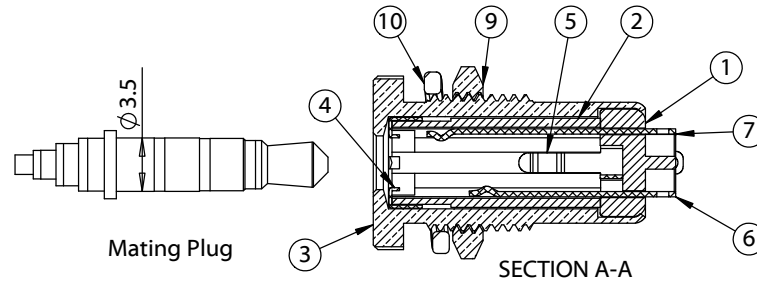
Materials
 1. Insulator: nylon, black
 2. Insulator: nylon, black
 3. Shell: brass, nickel-plated
 4. Spring contact: phosphor bronze, nickel-plated
 5. Spring contact: phosphor bronze, nickel-plated
 6. Spring contact: phosphor bronze
 7. Spring contact: phosphor bronze, nickel-plated
 8. Solder tab: brass, nickel-plated
 9. Nut: brass, nickel-plated, P/N 56-00004, M9x 0.75
 10. Split washer: cold rolled steel, nickel-plated, P/N 56-00005

Electrical Requirements
 Dielectric strength: 1 min @ 500 Vac
 Insulation resistance: 100 MΩ @ 500 Vdc
 Contact resistance: 50 mΩ or less

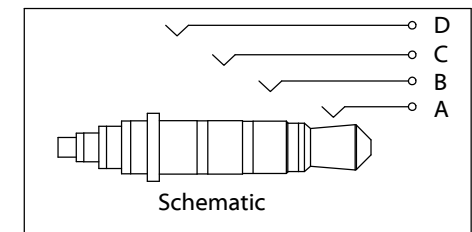
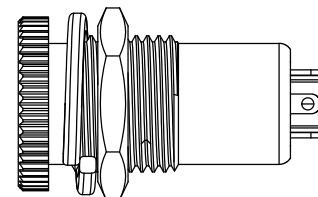
Mechanical Requirements
 Insertion force: 0.3-2 kgf
 Withdrawal force: 0.3-2 kgf
 Terminal strength: a static load of 300 gf shall be applied to the terminal for 15 seconds in any direction.
 Life cycle: 5000 mating cycles while maintaining less than 100 mΩ contact resistance, 50MΩ insulation resistance, and 500 Vac for 1 minute withstand voltage.

Soldering
 Solderability: 75% minimum coverage when terminals dipped 2mm in 235 ±5 °C solder bath for 3 ±0.5 seconds
 Solder bath durability: no deformation when immersed in 255 ±5 °C up to surface of the board 1.6 mm for 5 seconds or less
 Solder iron durability: no deformation when exposed to 350 ±10 °C for 3 ±0.5 seconds

Environmental Requirements
 Cold test: -25 ±3 °C for 48 hours without deformation
 Heat test: 85 ±2 °C, relative humidity 45-85% for 48 hours without deformation
 Humidity test: 40 ±2 °C, relative humidity 90-98% for 48 hours without deformation



Installation Details
 Panel thickness: 1.0 - 4.8 mm
 Panel cutout Ø: 9.2 - 10.5 mm



Revision:	Date:	Description:
A	8/8/2017	Initial release

Prepared: AG
Digitally signed by AG
 Date: 2017.08.08
 12:21:33 -07'00'

Verified: LA
Digitally signed by LA
 Date: 2017.08.08
 14:09:34 -07'00'

Dimensions are in millimeters.
 Tolerances:
 X: ± 0.5 mm
 X.X: ± 0.3 mm
 X.XX: ± 0.05 mm

Notes:
 RoHS and REACH compliant

Function test: no open, no short circuit, no intermittent

Description:
 Connector, 4C audio jack, 3.5x20.5 mm, panel mount, nickel plated, threaded, nut and washer

TENSILITY

tel 1.541.323.3228 800 877.670.7118
 fax 1.541.323.4202 web tensility.com

Size: A Part number: 54-00082

Scale: 2:1 Sheet 1 of 1