



Chipsmall Limited consists of a professional team with an average of over 10 year of expertise in the distribution of electronic components. Based in Hongkong, we have already established firm and mutual-benefit business relationships with customers from,Europe,America and south Asia,supplying obsolete and hard-to-find components to meet their specific needs.

With the principle of "Quality Parts,Customers Priority,Honest Operation,and Considerate Service",our business mainly focus on the distribution of electronic components. Line cards we deal with include Microchip,ALPS,ROHM,Xilinx,Pulse,ON,Everlight and Freescale. Main products comprise IC,Modules,Potentiometer,IC Socket,Relay,Connector.Our parts cover such applications as commercial,industrial, and automotives areas.

We are looking forward to setting up business relationship with you and hope to provide you with the best service and solution. Let us make a better world for our industry!



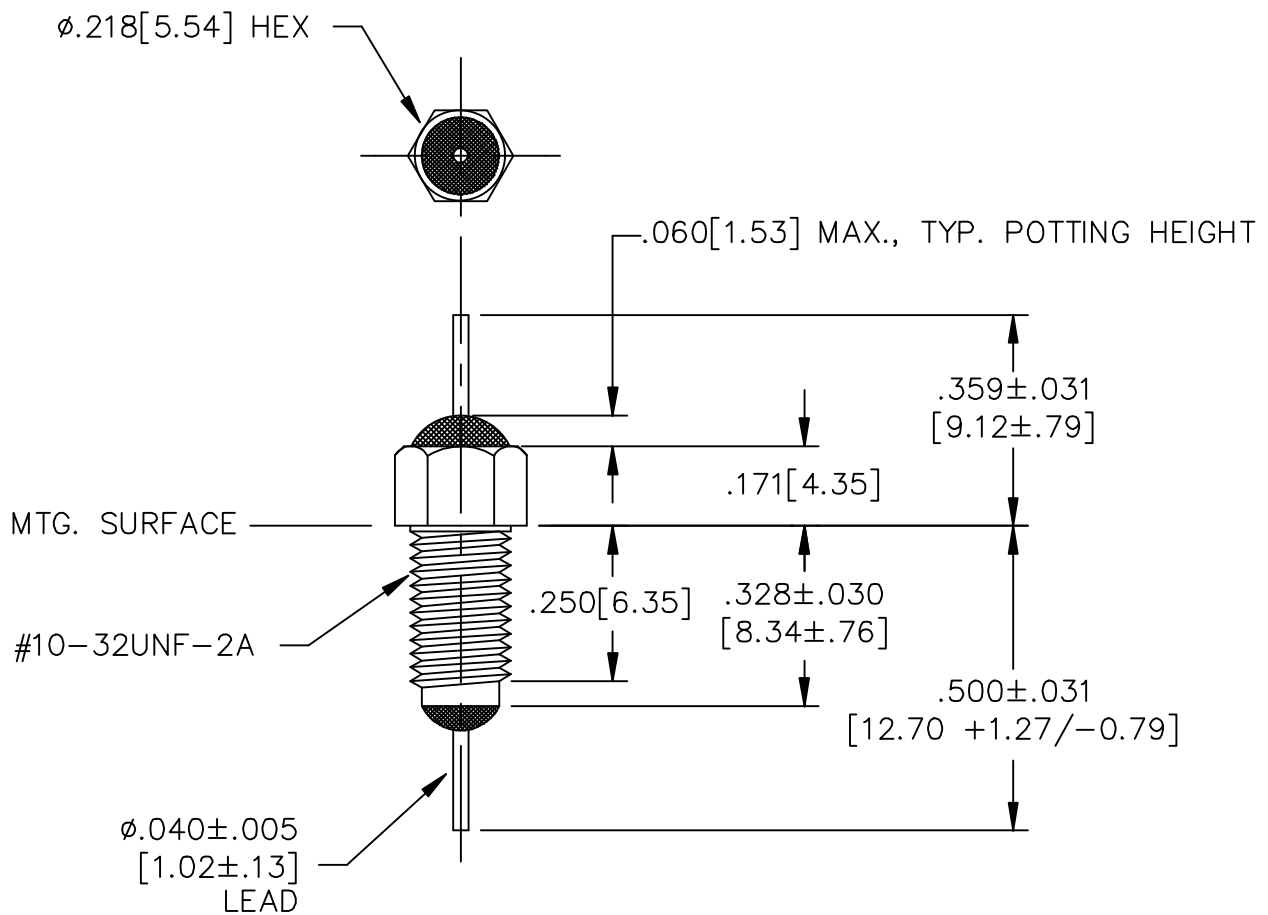
Contact us

Tel: +86-755-8981 8866 Fax: +86-755-8427 6832

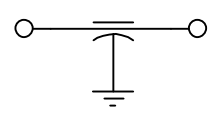

Email & Skype: info@chipsmall.com Web: www.chipsmall.com

Address: A1208, Overseas Decoration Building, #122 Zhenhua RD., Futian, Shenzhen, China






NOTES:
 1. SUGGESTED MOUNTING HOLE = ϕ .218 [5.54]
 2. HARDWARE IS INCLUDED.

LEAD FINISH: SILVER	
BUSHING FINISH: SILVER	
CAPACITANCE	1 μ F +80/-20%
TEMP. RANGE	-55°C TO 125°C
CURRENT	10 AMP MAX.
WORKING VOLTAGE	85°C 80VDC MAX. 125°C 50VDC MAX.
D.C. RESISTANCE	.01ohms MAX.
MIN. I.L. PER MIL-STD-220 AT 25°C NO LOAD	
FREQ. MHz	I.L. (db)
30 KHz	10
50 KHz	15
100KHz	20
1	40
10	52
100	70
500	78
1 GHz	80
SCHEMATIC 	
MARKING: PART: SCI 105Z	
BAG: 54-786-014 DATE CODE QTY./BAG (50 MAX.)	
	

	48	47	46	45	44	43	REV. NO.	TOLERANCES UNLESS OTHERWISE SPECIFIED
	CN #14633	CN 56108-ENG	CN 31263-CPD	CN 19975-CPD	CN. 19494-CPD	CN. 184932	CHANGE NOTICE	Fractions \pm 1/64
								Dec. .xx \pm
								Dec. .xxx \pm 015 [.38]
								Angles \pm 0° 30'
								CODE IDENT. NO. 0LSP2

api  **FAIRVIEW PENNSYLVANIA**
 technologies corp.

Dwn.KAUFFMAN	Description FEED THRU RESIN SEAL FILTER
DATE 7-17-15	
ENGR. M.McALEVY	54-786-014
DO NOT SCALE	