



Chipsmall Limited consists of a professional team with an average of over 10 year of expertise in the distribution of electronic components. Based in Hongkong, we have already established firm and mutual-benefit business relationships with customers from,Europe,America and south Asia,supplying obsolete and hard-to-find components to meet their specific needs.

With the principle of “Quality Parts,Customers Priority,Honest Operation,and Considerate Service”,our business mainly focus on the distribution of electronic components. Line cards we deal with include Microchip,ALPS,ROHM,Xilinx,Pulse,ON,Everlight and Freescale. Main products comprise IC,Modules,Potentiometer,IC Socket,Relay,Connector.Our parts cover such applications as commercial,industrial, and automotives areas.

We are looking forward to setting up business relationship with you and hope to provide you with the best service and solution. Let us make a better world for our industry!



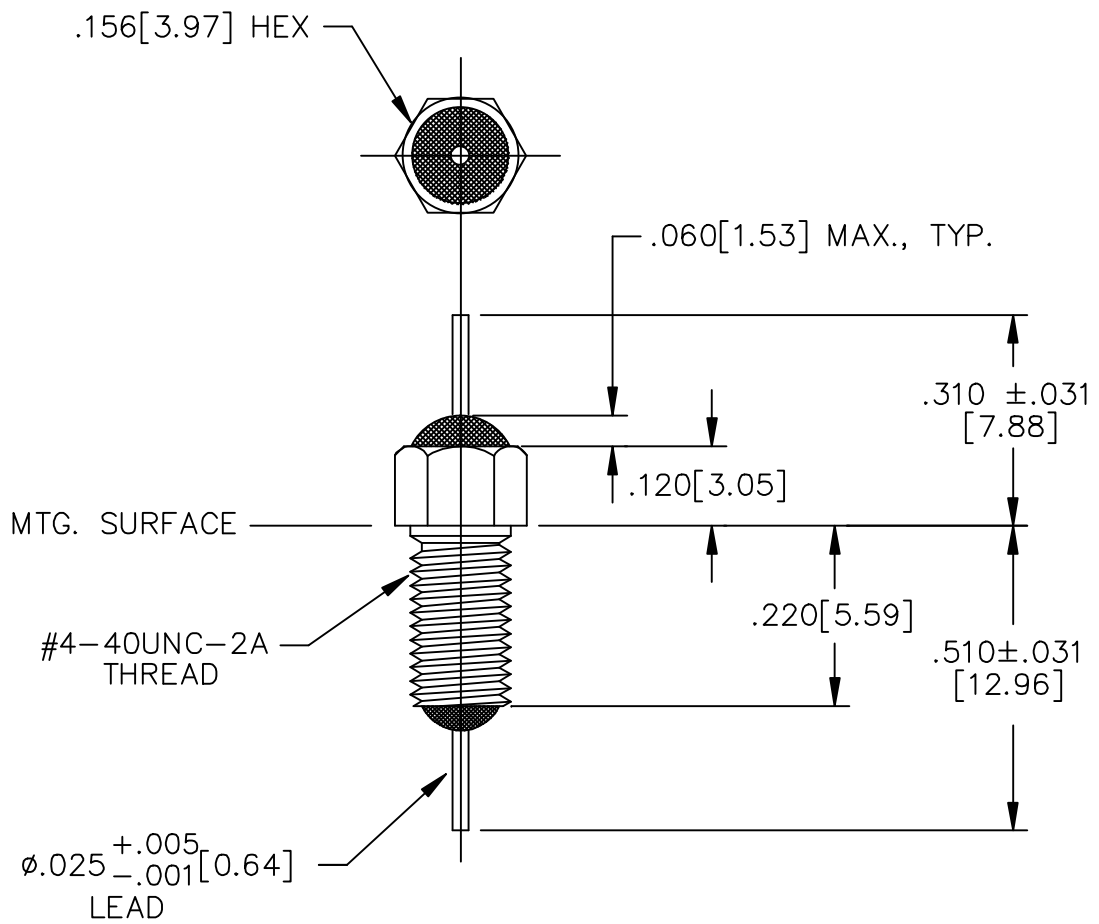
Contact us

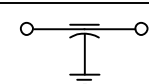
Tel: +86-755-8981 8866 Fax: +86-755-8427 6832

Email & Skype: info@chipsmall.com Web: www.chipsmall.com

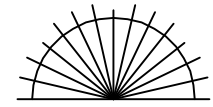
Address: A1208, Overseas Decoration Building, #122 Zhenhua RD., Futian, Shenzhen, China





LEAD FINISH: SILVER	
BUSHING FINISH: SILVER	
CAPACITANCE	.050 μ F MIN.
TEMP. RANGE	-55°C TO 125°C
CURRENT	23 10 AMP MAX.
WORKING VOLTAGE	100 VDC MAX.
D.C. RESISTANCE	.01ohms MAX.
MIN. I.L. PER MIL-STD-220 AT 25°C NO LOAD	
FREQ. MHz	I.L. (db)
1	--
10	36
100	45
1 GHz	60
SCHEMATIC 	
MARKING: PART: 563 BAG: 54-790-023 DATE CODE QTY/BAG (200 MAX.)	

- NOTES:
 1. MAXIMUM MOUNTING TORQUE = 1.5lb-in.
 2. HARDWARE IS INCLUDED.

		23	22	REV. NO.	TOLERANCES UNLESS OTHERWISE SPECIFIED	 SPECTRUM CONTROL INC.	ERIE, FAIRVIEW PENNSYLVANIA
		CN 203386	CN 184931	CHANGE NOTICE	Fractions $\pm 1/64$		Dwn. KAUFFMAN
					Dec. .xx \pm	Ckd. 8/27/01	
					Dec. .xxx \pm .010	Apvd.	
					Angles $\pm 0^{\circ} 30'$	Scale NONE	54-790-023
					CODE IDENT. NO. QLSP2		