



Chipsmall Limited consists of a professional team with an average of over 10 year of expertise in the distribution of electronic components. Based in Hongkong, we have already established firm and mutual-benefit business relationships with customers from,Europe,America and south Asia,supplying obsolete and hard-to-find components to meet their specific needs.

With the principle of “Quality Parts,Customers Priority,Honest Operation,and Considerate Service”,our business mainly focus on the distribution of electronic components. Line cards we deal with include Microchip,ALPS,ROHM,Xilinx,Pulse,ON,Everlight and Freescale. Main products comprise IC,Modules,Potentiometer,IC Socket,Relay,Connector.Our parts cover such applications as commercial,industrial, and automotives areas.

We are looking forward to setting up business relationship with you and hope to provide you with the best service and solution. Let us make a better world for our industry!



Contact us

Tel: +86-755-8981 8866 Fax: +86-755-8427 6832

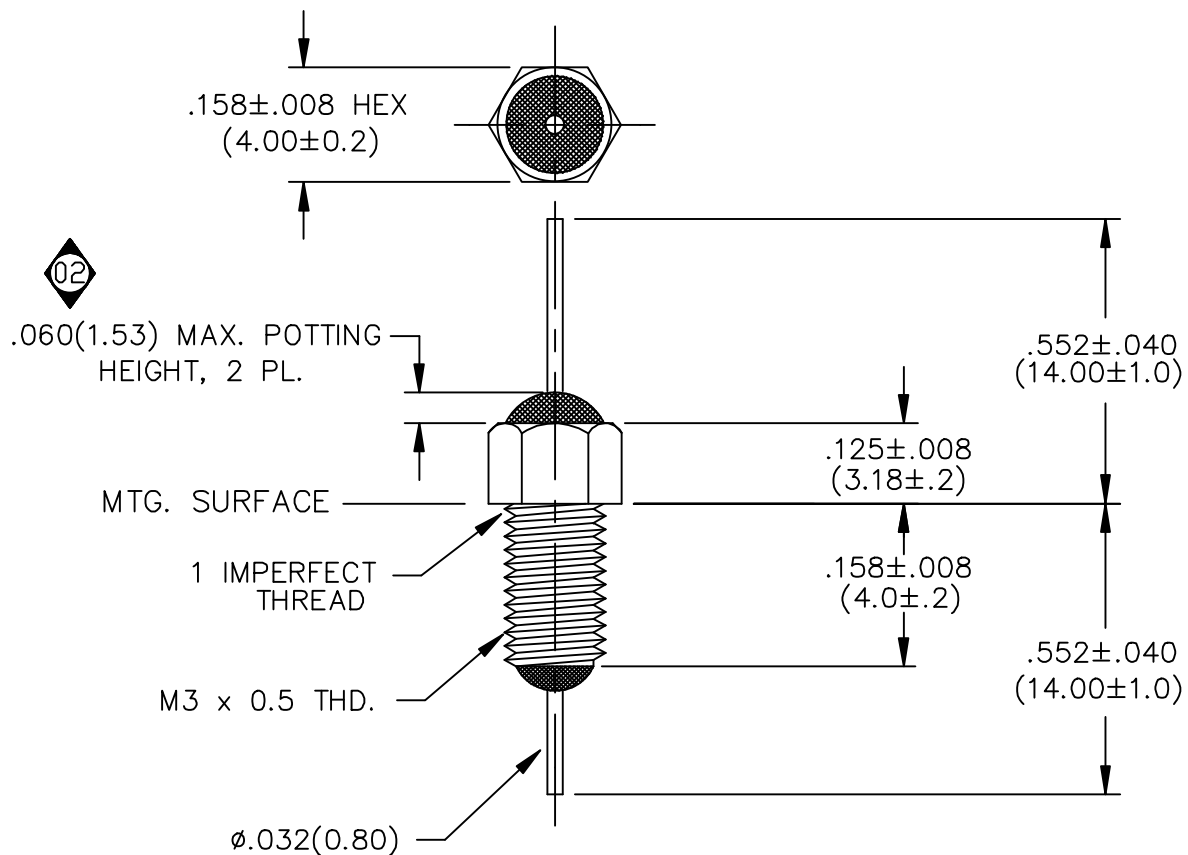
Email & Skype: info@chipsmall.com Web: www.chipsmall.com

Address: A1208, Overseas Decoration Building, #122 Zhenhua RD., Futian, Shenzhen, China



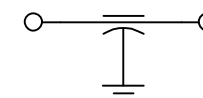
NOTES:

1. HARDWARE IS NOT INCLUDED.



LEAD FINISH:	SILVER PL.
BUSHING FINISH:	SILVER PL.
CAPACITANCE	10,000pF
TEMP. RANGE	-55°C TO 125°C
CURRENT	10 AMP MAX.
WORKING VOLTAGE	100 VDC MAX.
D.C. RESISTANCE	.01ohms MAX.
DIELECTRIC WITHSTANDING VOLTAGE	250 VDC

SCHEMATIC



MARKING:

PART: S863004
 BAG:
 54-863-004
 DATE CODE
 LOT NO.
 QTY/BAG (200 MAX.)

				REV. NO.	TOLERANCES UNLESS OTHERWISE SPECIFIED	 SPECTRUM CONTROL INC. ERIE, FAIRVIEW PENNSYLVANIA
				CHANGE NOTICE	Fractions ± 1/64	
					Dec. .xx±	
					Dec. .xxx±.010	
					Angles ±0° 30'	
					CODE IDENT. NO. DLSP2	Dwn. KRDZALIC Ckd. 11/13/00 Apvd. Scale NONE
						Description FT RESIN SEAL FILTER 54-863-004