



Chipsmall Limited consists of a professional team with an average of over 10 year of expertise in the distribution of electronic components. Based in Hongkong, we have already established firm and mutual-benefit business relationships with customers from,Europe,America and south Asia,supplying obsolete and hard-to-find components to meet their specific needs.

With the principle of "Quality Parts,Customers Priority,Honest Operation,and Considerate Service",our business mainly focus on the distribution of electronic components. Line cards we deal with include Microchip,ALPS,ROHM,Xilinx,Pulse,ON,Everlight and Freescale. Main products comprise IC,Modules,Potentiometer,IC Socket,Relay,Connector.Our parts cover such applications as commercial,industrial, and automotives areas.

We are looking forward to setting up business relationship with you and hope to provide you with the best service and solution. Let us make a better world for our industry!



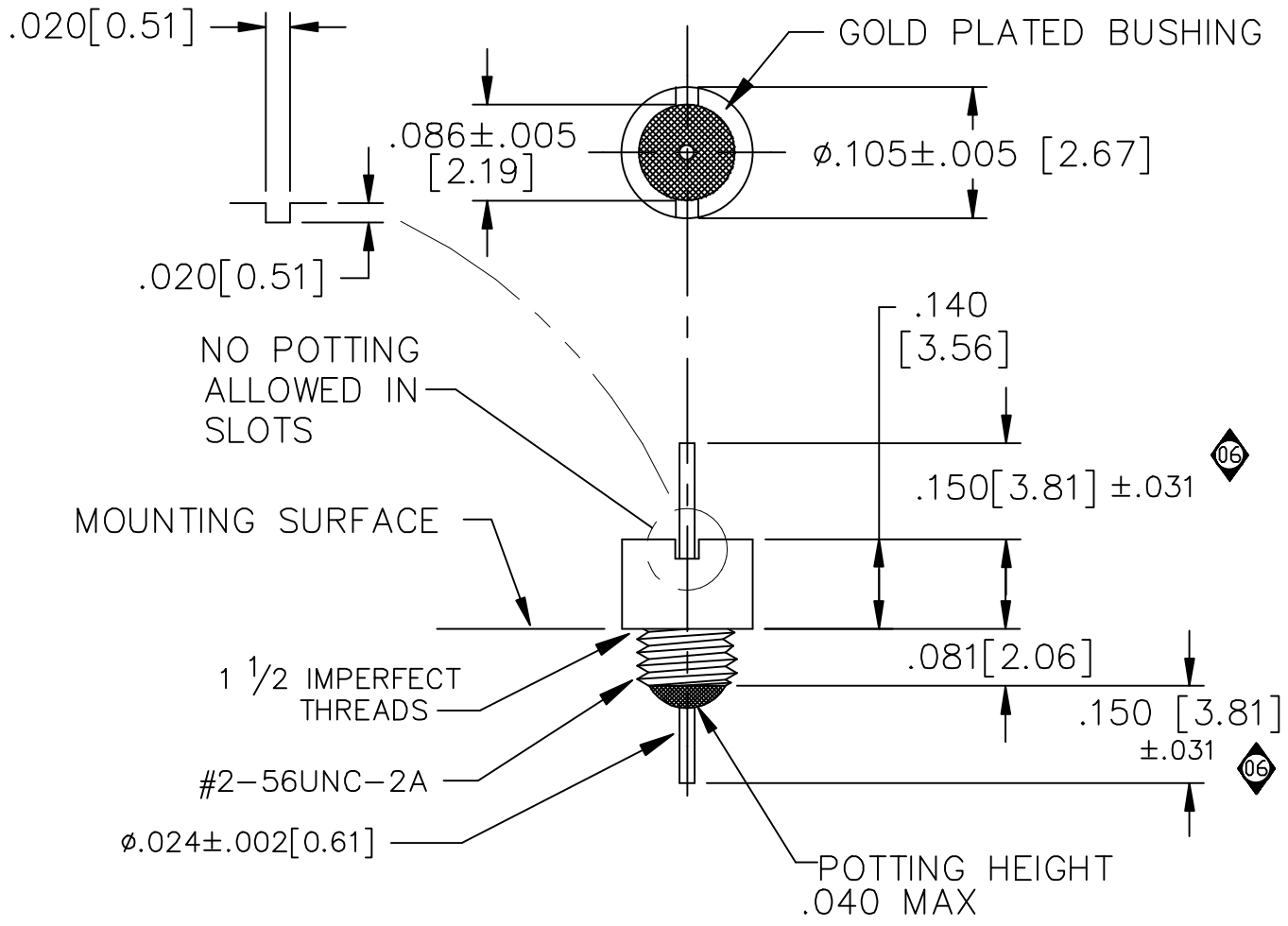
Contact us

Tel: +86-755-8981 8866 Fax: +86-755-8427 6832

Email & Skype: info@chipsmall.com Web: www.chipsmall.com

Address: A1208, Overseas Decoration Building, #122 Zhenhua RD., Futian, Shenzhen, China





BUSHING FINISH	GOLD
LEAD FINISH	GOLD
CAPACITANCE	100pF +50%/-20%
TEMP. RANGE	-55°C TO +125°C
CURRENT	5 AMP
WORKING VOLTAGE	125°C 50 VDC
DC RESISTANCE	.005 Ohms MAX.

SCHEMATIC

MARKING: NONE
 PACKING:
 PACK IN BAGS 200 PCS. MAX.
 SCI
 54-874-012
 LOT NO.
 DATE CODE
 QTY/BAG

NOTES:
 1. HARDWARE NOT SUPPLIED.

	6	5	4	3	2	1	0	REV. NO.	TOLERANCES UNLESS OTHERWISE SPECIFIED	 FAIRVIEW PENNSYLVANIA SPECTRUM CONTROL INC.	
	CN 43605-ENG	CN 208599	CN 204302 REDRAWN	CN 191533	CN 190458	CN 186572	CN 184432	CHANGE NOTICE	Fractions ± 1/64		Dwn. KRDZALIC
									Dec. .xx±		DATE 8-22-08
									Dec. .xxx± .010		Ckd.
									Angles ±0° 30'		Scale NONE
									CODE IDENT. NO. DLSP2	Description FT FILTER 54-874-012	