



Chipsmall Limited consists of a professional team with an average of over 10 year of expertise in the distribution of electronic components. Based in Hongkong, we have already established firm and mutual-benefit business relationships with customers from,Europe,America and south Asia,supplying obsolete and hard-to-find components to meet their specific needs.

With the principle of “Quality Parts,Customers Priority,Honest Operation,and Considerate Service”,our business mainly focus on the distribution of electronic components. Line cards we deal with include Microchip,ALPS,ROHM,Xilinx,Pulse,ON,Everlight and Freescale. Main products comprise IC,Modules,Potentiometer,IC Socket,Relay,Connector.Our parts cover such applications as commercial,industrial, and automotives areas.

We are looking forward to setting up business relationship with you and hope to provide you with the best service and solution. Let us make a better world for our industry!



Contact us

Tel: +86-755-8981 8866 Fax: +86-755-8427 6832

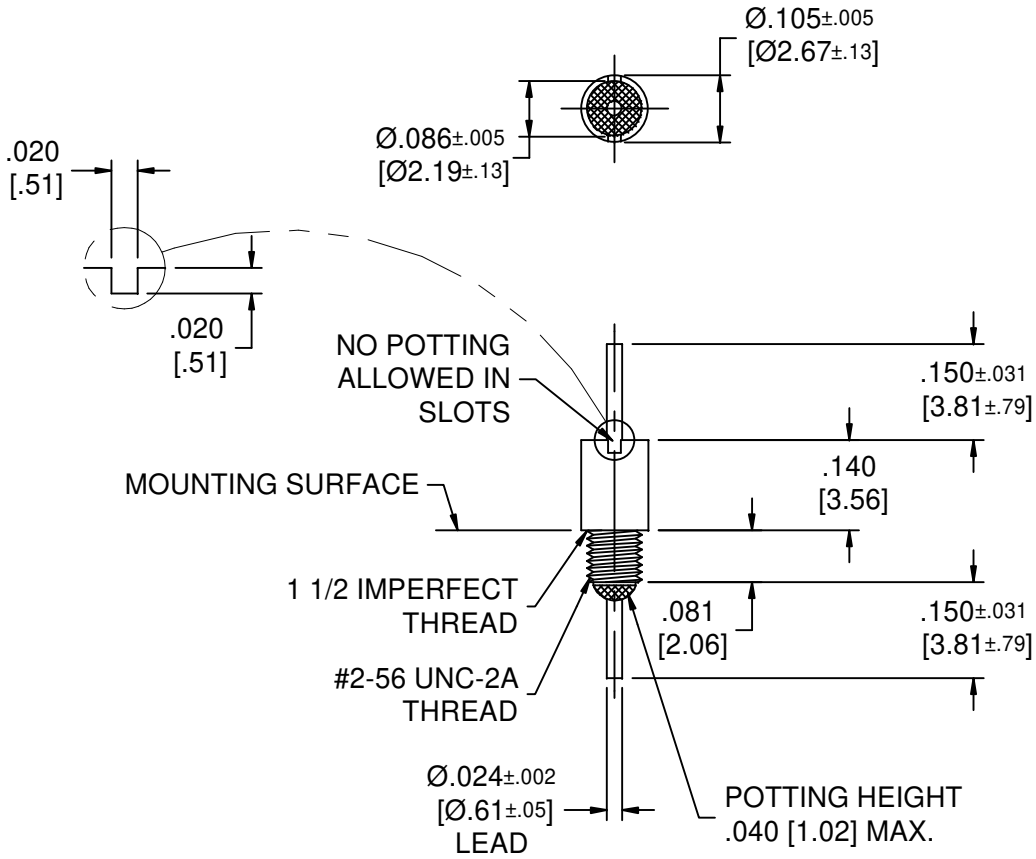
Email & Skype: info@chipsmall.com Web: www.chipsmall.com

Address: A1208, Overseas Decoration Building, #122 Zhenhua RD., Futian, Shenzhen, China

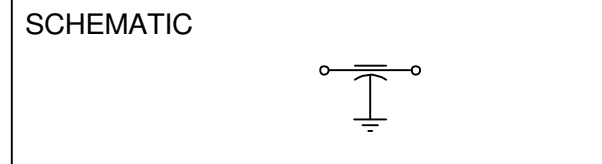


NOTES:
1. HARDWARE IS NOT SUPPLIED

LEAD FINISH	GOLD
BUSHING FINISH	GOLD
CAPACITANCE	9000pF +100 / -0%
TEMP. RANGE	-55°C TO +125°C
CURRENT	5 AMPS
WORKING VOLTAGE	125°C 50 VDC
DC RESISTANCE	.005 Ohms MAX.



I.L. PER MIL-STD-220 @ 25°C (NO LOAD)	
◇07 FREQ. MHz	I.L. (dB)
1	5
10	20
100	40
1 GHz	60
10 GHz	65



MARKING: NONE
 PACKING:
 "PACK IN BAGS 200 PCS. MAX.
 54-874-018
 SCI
 DATE CODE
 LOT NO.
 QTY. / BAG

07	06	05	04	03	02	01	00	REV. NO.	UNLESS OTHERWISE SPECIFIED DIMENSIONS ARE IN INCHES [MILLIMETERS] DO NOT SCALE	TOLERANCES UNLESS OTHERWISE SPECIFIED Dec. .x ± Dec. .xx ± Dec. .xxx ±.010 [.25] Angles ± 0° 30"	SPECTRUM CONTROL INC. Dwn. Hassett Date 12-16-10 Engr. Mast Sheet 1 of 1	FAIRVIEW PENNSYLVANIA Description FT FILTER 54-874-018	
CN 56978-ENG	CN 43605-ENG	CN 205750	CN 204162	CN 191534	CN 190457	CN 186571	CN 184433	CHANGE NOTICE NO.					
								THIRD ANGLE PROJECTION					CODE IDENT. NO. 0LSP2
								①					

Quality Products From The Specialists In Electro-Magnetic Compatibility