



Chipsmall Limited consists of a professional team with an average of over 10 year of expertise in the distribution of electronic components. Based in Hongkong, we have already established firm and mutual-benefit business relationships with customers from,Europe,America and south Asia,supplying obsolete and hard-to-find components to meet their specific needs.

With the principle of "Quality Parts,Customers Priority,Honest Operation,and Considerate Service",our business mainly focus on the distribution of electronic components. Line cards we deal with include Microchip,ALPS,ROHM,Xilinx,Pulse,ON,Everlight and Freescale. Main products comprise IC,Modules,Potentiometer,IC Socket,Relay,Connector.Our parts cover such applications as commercial,industrial, and automotives areas.

We are looking forward to setting up business relationship with you and hope to provide you with the best service and solution. Let us make a better world for our industry!



## Contact us

Tel: +86-755-8981 8866 Fax: +86-755-8427 6832

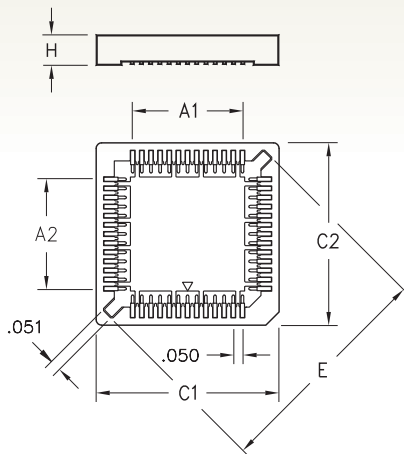
Email & Skype: info@chipsmall.com Web: www.chipsmall.com

Address: A1208, Overseas Decoration Building, #122 Zhenhua RD., Futian, Shenzhen, China

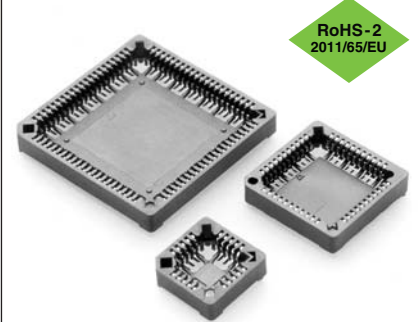


# COMPACT PLCC SOCKETS

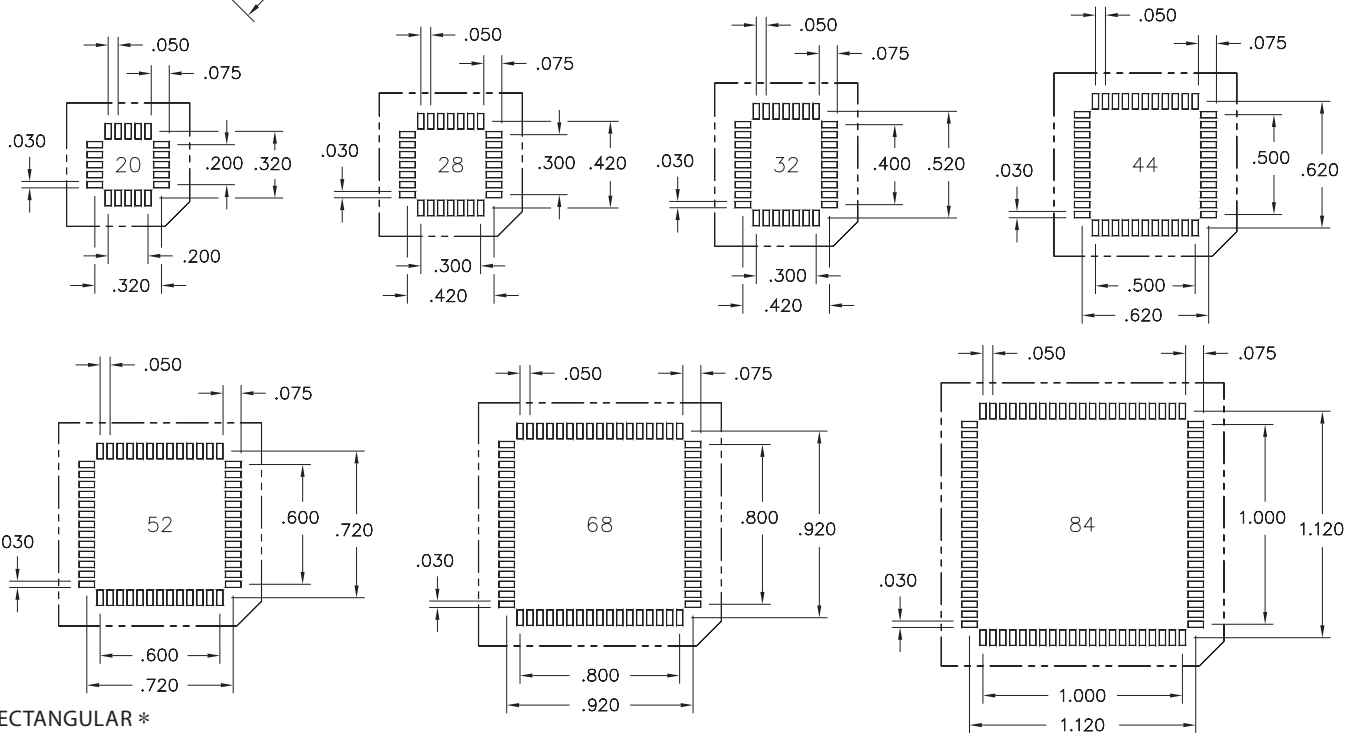
## SERIES 540 • SURFACE MOUNT



- Note: Not end stackable
- Designed for JEDEC type devices
- Open frame design in solder area improves results of IR soldering and facilitates visual inspection of solder pads
- Contacts are plated with 150  $\mu$ " tin
- The insulator is molded PPS (Ryton R-4)
- For Electrical, Mechanical and Environmental Data, see page 141 for details



### PCB LAYOUT FOR SURFACE MOUNT



RECTANGULAR \*

Number of Contacts	Ordering Information	- A1 -	- A2 -	- C1 -	- C2 -	- E -	- H -	Qty. per Tube	Tape Width mm	Qty. per Reel
20	540-44-020-17-40000X	0.200	0.200	0.585	0.585	0.657	0.180	34	24	490
28	540-44-028-17-40000X	0.300	0.300	0.685	0.685	0.799	0.180	29	32	400
32 *	540-44-032-17-40000X *	0.300	0.400	0.670	0.770	0.885	0.148	26	32	400
44	540-44-044-17-40000X	0.500	0.500	0.885	0.885	1.082	0.180	22	44	250
52	540-44-052-17-40000X	0.600	0.600	1.000	1.000	1.224	0.180	20	44	250
68	540-44-068-17-40000X	0.800	0.800	1.202	1.202	1.507	0.180	16	44	220
84	540-44-084-17-40000X	1.000	1.000	1.400	1.400	1.791	0.180	14	56	200

Packaging Codes: X = 0 (Tubes)  
X = 4 (Tape & Reel)

