



Chipsmall Limited consists of a professional team with an average of over 10 year of expertise in the distribution of electronic components. Based in Hongkong, we have already established firm and mutual-benefit business relationships with customers from,Europe,America and south Asia,supplying obsolete and hard-to-find components to meet their specific needs.

With the principle of “Quality Parts,Customers Priority,Honest Operation,and Considerate Service”,our business mainly focus on the distribution of electronic components. Line cards we deal with include Microchip,ALPS,ROHM,Xilinx,Pulse,ON,Everlight and Freescale. Main products comprise IC,Modules,Potentiometer,IC Socket,Relay,Connector.Our parts cover such applications as commercial,industrial, and automotives areas.

We are looking forward to setting up business relationship with you and hope to provide you with the best service and solution. Let us make a better world for our industry!



Contact us

Tel: +86-755-8981 8866 Fax: +86-755-8427 6832

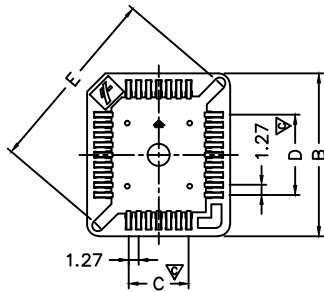
Email & Skype: info@chipsmall.com Web: www.chipsmall.com

Address: A1208, Overseas Decoration Building, #122 Zhenhua RD., Futian, Shenzhen, China

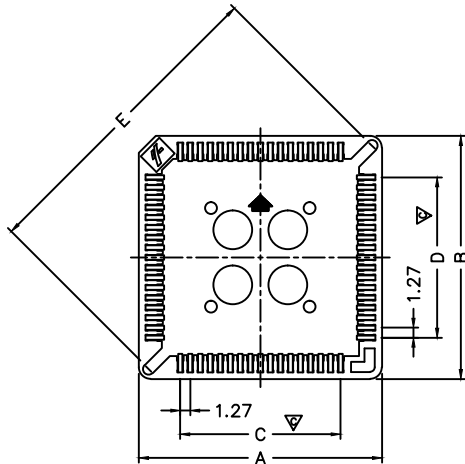




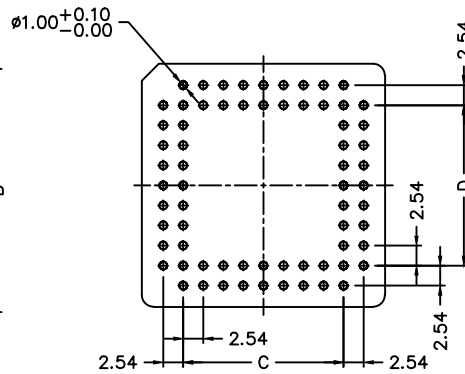
Copyright FCI.



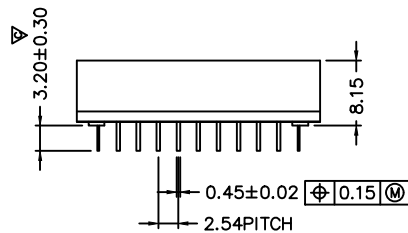
ABOVE FOR 32 COUNTS ONLY



ABOVE FOR 44 AND 68 COUNTS



(RECOMMENDED PCB LAYOUT)



NOTES:

- 1 MATERIAL:
HOUSING: PPS UL94 V-0, Brown.
CONTACT: Copper Alloy.
- 2 FINISH:
CONTACT: 100 μm Min. Lead free Tin plated on soldering end over 50 μm Min. Nickel under-plating.

- 3 ORDER INFORMATION:
54020-XX 0 3 0 LF
Series No. Lead Free.
No. of Contacts: Post/Packaging:
32 44 68 0-Without Post/In tube package.
Contact plated: Housing Material/Color:
0-Tin alloy plated. 3-PPS/Brown.

- 4 SPECIFICATION:
Current Rating: 1A Max.
Dielectric Strength: 600V AC RMS for 1 minute.
Contact Resistance: 20 mΩ MAX.
Insulator Resistance: 1000MΩ min. at 500V DC.
Temperature: -40°C to +105°C
Durability: 25 Cycles.

5 PRODUCT SPECIFICATION: GES-12-054.

6 MANUFACTURING PROCESS COMPATIBILITY
The housing will withstand exposure to 245°C solder bath temperature for 5 second in a wave solder application.

A/P PART NO.	Dimension(mm)					MCK PART NO.
	A±0.2	B±0.2	C±0.1	D±0.1	E±0.2	
54020-32030LF	17.80	20.20	7.62	10.16	23.85	PLCC-32P-T
54020-44030LF	23.18	23.18	12.70	12.70	29.00	PLCC-44P-T
54020-68030LF	30.88	30.88	20.32	20.32	40.00	PLCC-68P-T-2

rev	ecn no	dr	date
K	ELX-I-20940	SAL	5/21/15
-	-	-	-
E	T05-0114	JH	5/9/05
F	T05-0212	JH	9/21/05
G	T10-0010	JH	1/25/10
H	T11-0002	JH	1/11/11
J	T11-0018	JH	3/25/11

www.fciconnect.com		surface <input checked="" type="checkbox"/>	tolerance std	projection	MM
		TOLERANCES UNLESS OTHERWISE SPECIFIED			
Dr	Jason Hsu	1/11/11	ANGULAR	0.X	± 0.25
Eng	Jason Hsu	1/11/11	LINEAR	0.XX	± 0.15
Chr	S Alosius	5/21/15	0° ±5°	0.XXX	± 0.10
Appr	BiJu K Paul	5/21/15	Product family	size	A4
				ECN	ELX-I-20940
				Spec ref	
title			PLCC DIP Socket	dwg no	54020
catalog no			-	CUSTOMER	sheet 1 of 2
					Rev.
					K

1

2

3

4

A

A

B

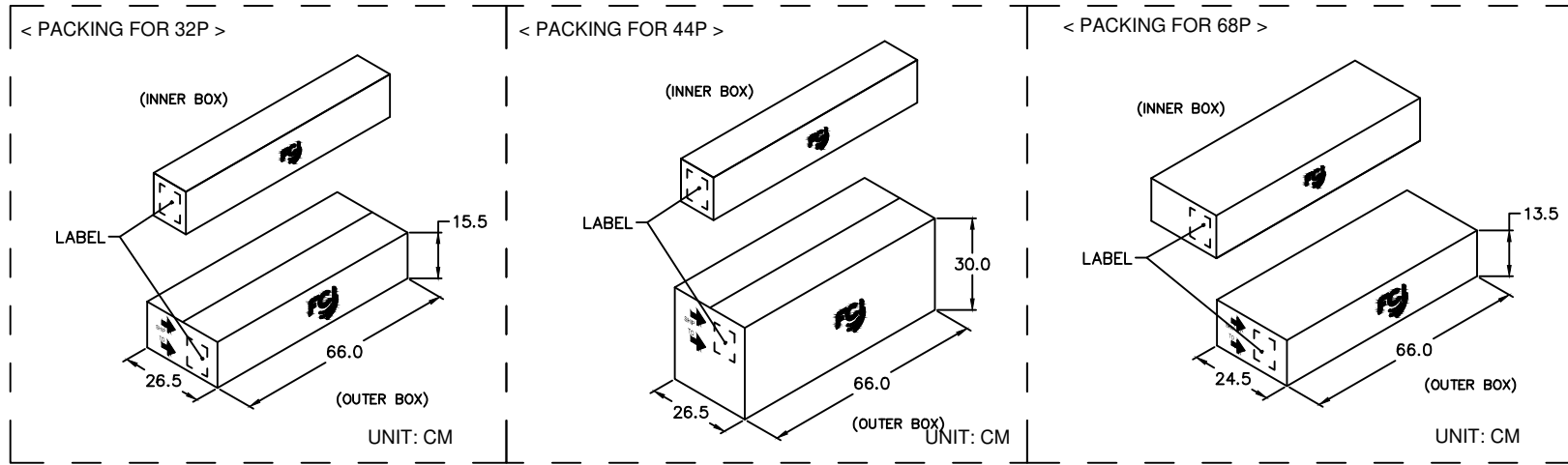
B

C

C

D

D



Copyright FCI.

DIP PLCC PACKING LIST FOR TUBE=612mm							
CONTACTS	PCS/TUBE	TUBE / INNER BOX	PCS / INNER BOX	INNER / OUTER BOX	PCS / OUTER BOX	N.W.(KGS)	G.W.(KGS)
32P	28	42	1176	2	2352	6.5	9.9
44P	25	35	875	4	3500	13.4	20.9
68P	18	42	756	1	756	4.4	7.8

www.fciconnect.com		surface <input checked="" type="checkbox"/> tolerance std	projection <input checked="" type="checkbox"/>	MM
		TOLERANCES UNLESS OTHERWISE SPECIFIED		
Dr	Jason Hsu	1/11/11	ANGULAR	0.X ± 0.25
Eng	Jason Hsu	1/11/11	LINEAR	0.XX ± 0.15
Chr	S Alosius	5/21/15	0° ± 5°	0.XXX ± 0.10
Appr	Biju K Paul	5/21/15	Product family	ECN ELX-I-20940
			Spec ref	
title PLCC DIP Socket		dwg no 54020		Rev. K
catalog no -		CUSTOMER		sheet 2 of 2

REV F - 2005-04-07

1

2

3

4