



Chipsmall Limited consists of a professional team with an average of over 10 year of expertise in the distribution of electronic components. Based in Hongkong, we have already established firm and mutual-benefit business relationships with customers from,Europe,America and south Asia,supplying obsolete and hard-to-find components to meet their specific needs.

With the principle of “Quality Parts,Customers Priority,Honest Operation,and Considerate Service”,our business mainly focus on the distribution of electronic components. Line cards we deal with include Microchip,ALPS,ROHM,Xilinx,Pulse,ON,Everlight and Freescale. Main products comprise IC,Modules,Potentiometer,IC Socket,Relay,Connector.Our parts cover such applications as commercial,industrial, and automotives areas.

We are looking forward to setting up business relationship with you and hope to provide you with the best service and solution. Let us make a better world for our industry!



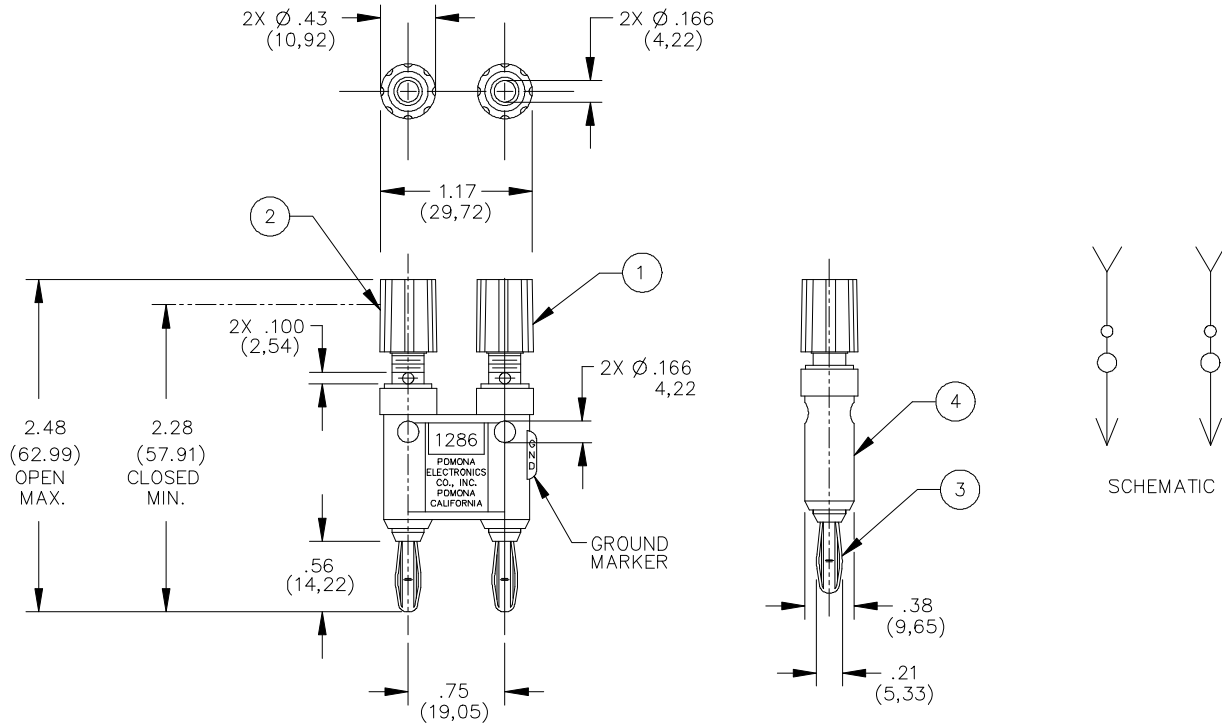
Contact us

Tel: +86-755-8981 8866 Fax: +86-755-8427 6832

Email & Skype: info@chipsmall.com Web: www.chipsmall.com

Address: A1208, Overseas Decoration Building, #122 Zhenhua RD., Futian, Shenzhen, China





FEATURES:

- Converts Double Banana Jack Test Instruments to Binding Posts for test versatility.
- Banana Plugs can be stacked vertically or horizontally.
- Wires, spade lugs and pin tip plugs can be attached by means of the insulated knurl thumb knob.
- Insulated knurl thumb knob is captive to prevent misplacement.
- Banana Plugs feature Nickel/Gold Plated, Beryllium Copper for tarnish resistance & long insertion life.

MATERIALS:

Binding Post: Body – Brass, Nickel Plated (Model 1286), Brass, Gold Plated (Model 5405)

Insulator Knurl Thumb Knob: Polycarbonate, Color: Black, Red

Insulator: ABS, Molded to the binding Post and Banana Body

Marking: “1286 POMONA ELECTRONICS” or “5405 POMONA ELECTRONICS”

Banana Plug: Body: Brass, Nickel Plated (Model 1286), Brass, Gold Plated (Model 5405)

Spring: Beryllium Copper, Nickel Plated (Model 1286)

Beryllium Copper, Gold Plated (Model 5405)

RATINGS:

Operating Voltage: 2500 VDC

Operating Temperature: +50°C (+122°F).

Current: 15 Amperes Max.

ORDERING INFORMATION: Model 1286 & 5405

All dimensions are in inches. Tolerances (except noted): .xx = ±.02” (.51 mm), .xxx = ±.005” (.127 mm).

All specifications are to the latest revisions. Specifications are subject to change without notice.

Registered trademarks are the property of their respective companies. Made in USA