



Chipsmall Limited consists of a professional team with an average of over 10 year of expertise in the distribution of electronic components. Based in Hongkong, we have already established firm and mutual-benefit business relationships with customers from,Europe,America and south Asia,supplying obsolete and hard-to-find components to meet their specific needs.

With the principle of “Quality Parts,Customers Priority,Honest Operation,and Considerate Service”,our business mainly focus on the distribution of electronic components. Line cards we deal with include Microchip,ALPS,ROHM,Xilinx,Pulse,ON,Everlight and Freescale. Main products comprise IC,Modules,Potentiometer,IC Socket,Relay,Connector.Our parts cover such applications as commercial,industrial, and automotives areas.

We are looking forward to setting up business relationship with you and hope to provide you with the best service and solution. Let us make a better world for our industry!



Contact us

Tel: +86-755-8981 8866 Fax: +86-755-8427 6832

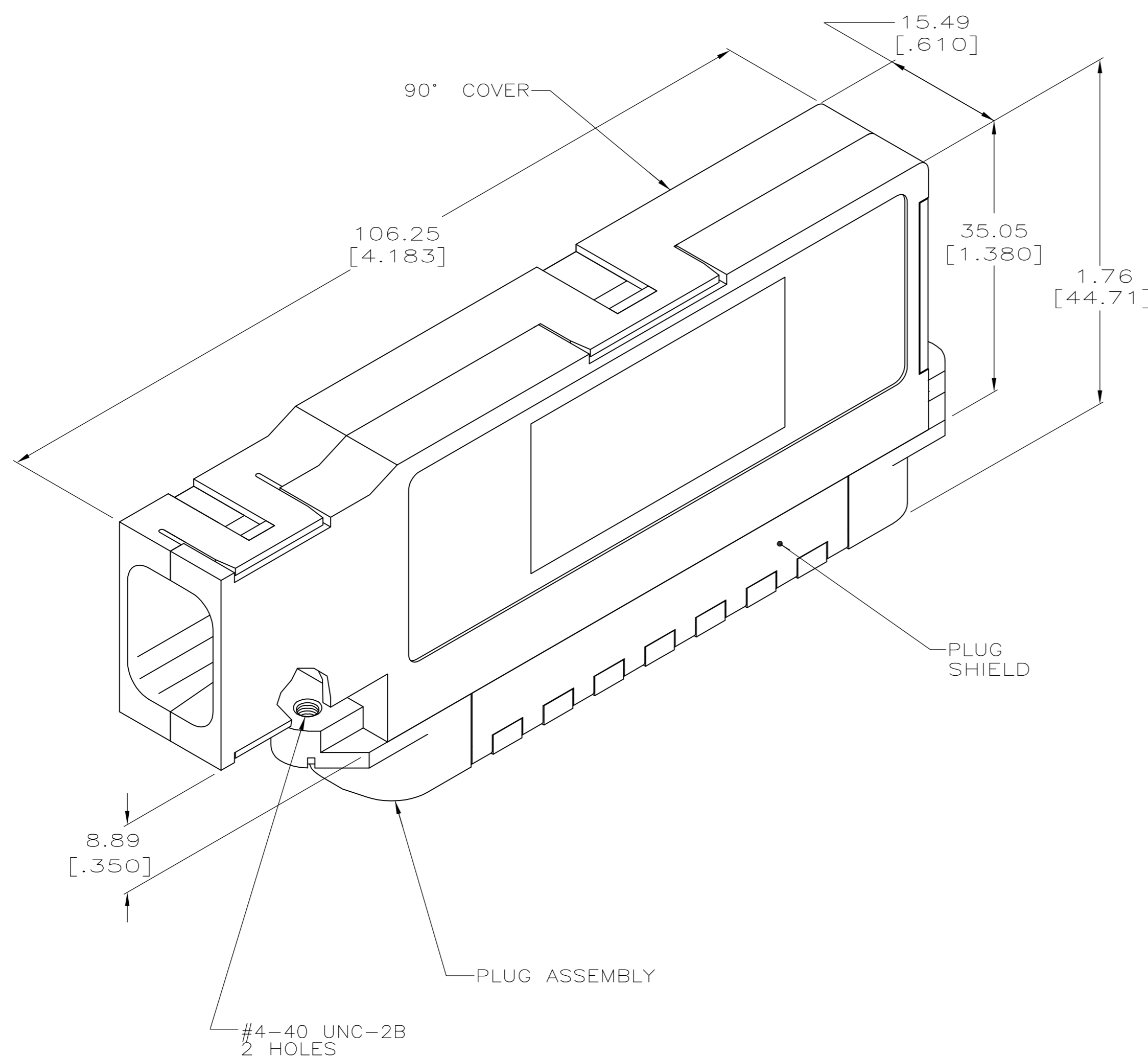
Email & Skype: info@chipsmall.com Web: www.chipsmall.com

Address: A1208, Overseas Decoration Building, #122 Zhenhua RD., Futian, Shenzhen, China



THIS DRAWING IS UNPUBLISHED. RELEASED FOR PUBLICATION
 © COPYRIGHT BY TYCO ELECTRONICS CORPORATION. ALL RIGHTS RESERVED.

LOC		DIST		REVISIONS			
P	LTR	DESCRIPTION		DATE	DWN	APVD	
		D		REVISED PER ECO-08-007327	05SEP08	BM WM	



1. THIS DRAWING SHOWN ASSEMBLED, BUT SHIPPED NOT ASSEMBLED.
2. MATERIAL: HOUSING - POLYPHENYLENE OXIDE, BLACK.
SHIELDS - CARBON STEEL PLATED WITH 5.1µm [.000200] MINIMUM NICKEL.
COVERS - ABS MOLDING COMPOUND, PLATED WITH 0.51µm [.000020] MINIMUM ELECTROLYTIC NICKEL OVER 5.1µm [.000200] MINIMUM ELECTROLYTIC COPPER OVER 0.25µm [.000010] MINIMUM ELECTROLESS NICKEL.
TERMINAL - PHOSPHOROUS BRONZE PLATED WITH 0.76µm [.000030] MIN GOLD OR GOLD FLASH OVER PALLADIUM NICKEL PLATE, 0.76µm [.000030] MIN TOTAL ON MATING SURFACE. 1.27µm [.000050] MIN NICKEL UNDERPLATE OVER ENTIRE TERMINAL.
3. WIRE SIZE: 24-26 AWG SOLID OR 24 AWG 7-STRANDED COPPER CONDUCTORS. INSULATION DIAMETER OF 0.73-1.15 [.029-.045] IS ACCEPTABLE FOR MOST APPLICATIONS.
4. ALL DIMENSIONS SHOWN ARE MAXIMUM UNLESS OTHERWISE SPECIFIED.
5. CABLE RANGE: 11.43-13.97 [.450-.550] OUTSIDE DIAMETER.
6. CABLE RANGE: 13.97-17.78 [.550-.700] OUTSIDE DIAMETER.
7. WIRE SIZE: 22 AWG SOLID OR 7-STRANDED COPPER CONDUCTORS. INSULATION DIAMETER OF 1.14-1.22 [.045-.056] IS ACCEPTABLE FOR MOST APPLICATIONS.

OBSOLETE	BROWN	F	7	6	5406049-2
	BLUE	B	3	5	5406049-1
	DOT COLOR	SLOT SIZE	PART NUMBER		

THIS DRAWING IS A CONTROLLED DOCUMENT.		DWN	07DEC05	Tyco Electronics Corporation	
		CHK	07DEC05	Harrisburg, PA 17105-3608	
DIMENSIONS: mm [INCHES]		TOLERANCES UNLESS OTHERWISE SPECIFIED:		NAME	
		0 PLC ± -		PLUG ASSEMBLY, 64 POSITION, SHIELDED, CHAMP	
		1 PLC ± -		SIZE	
		2 PLC ± -		CAGE CODE	
		3 PLC ± -		DRAWING NO	
		4 PLC ± -		RESTRICTED TO	
		ANGLES ± -		SCALE	
MATERIAL		FINISH		SHEET	
2		2		1 of 1	
CUSTOMER DRAWING		WEIGHT		REV	
		-		D	

5406049