



Chipsmall Limited consists of a professional team with an average of over 10 year of expertise in the distribution of electronic components. Based in Hongkong, we have already established firm and mutual-benefit business relationships with customers from,Europe,America and south Asia,supplying obsolete and hard-to-find components to meet their specific needs.

With the principle of “Quality Parts,Customers Priority,Honest Operation,and Considerate Service”,our business mainly focus on the distribution of electronic components. Line cards we deal with include Microchip,ALPS,ROHM,Xilinx,Pulse,ON,Everlight and Freescale. Main products comprise IC,Modules,Potentiometer,IC Socket,Relay,Connector.Our parts cover such applications as commercial,industrial, and automotives areas.

We are looking forward to setting up business relationship with you and hope to provide you with the best service and solution. Let us make a better world for our industry!



Contact us

Tel: +86-755-8981 8866 Fax: +86-755-8427 6832

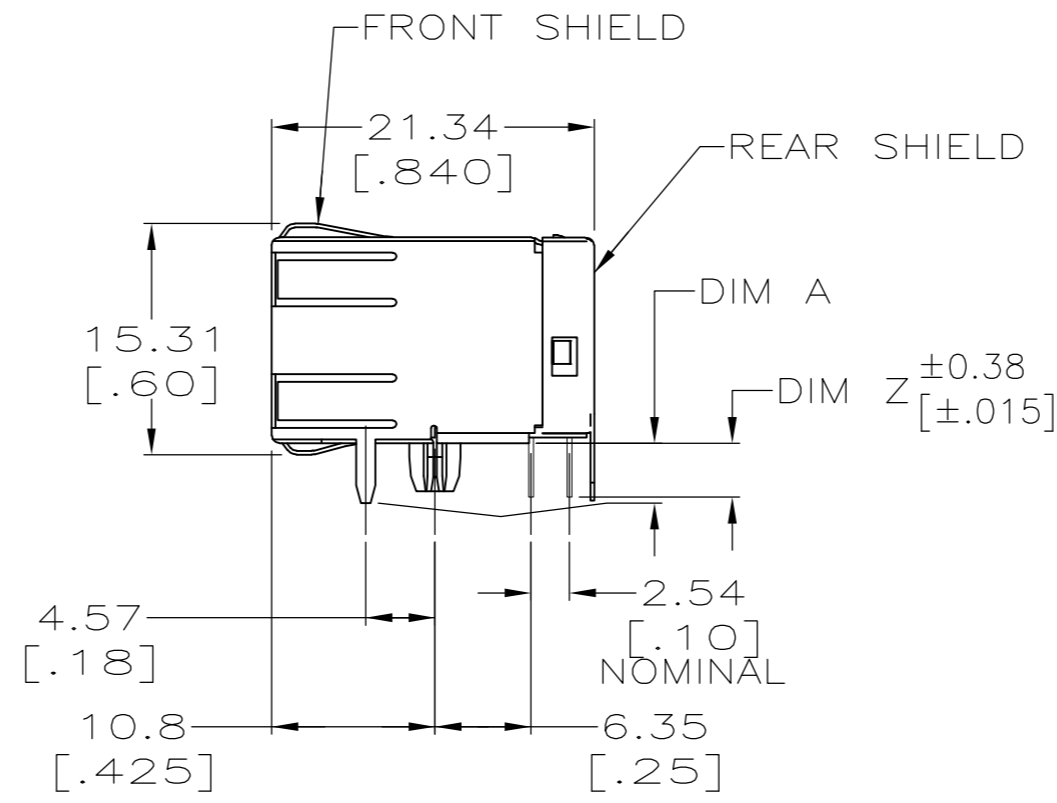
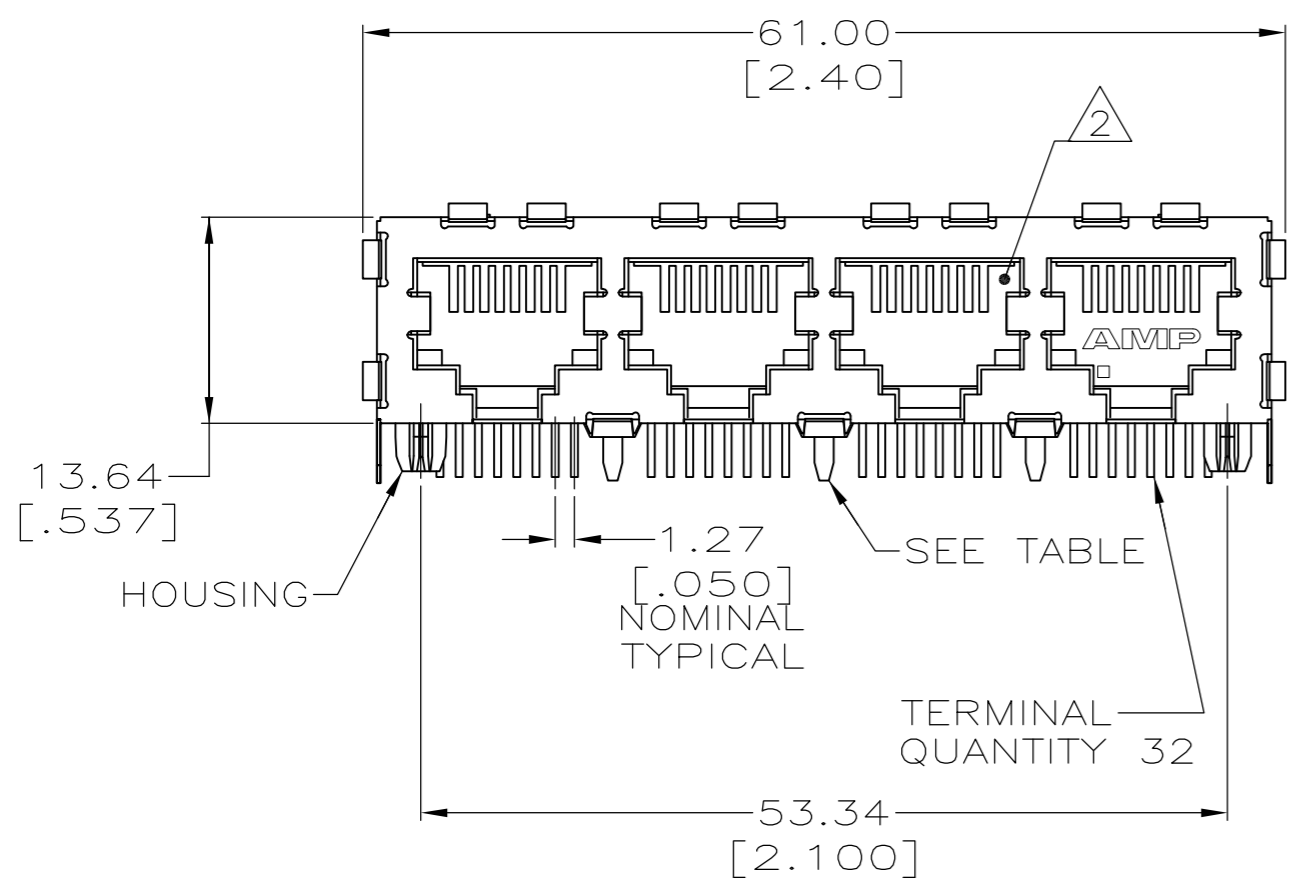
Email & Skype: info@chipsmall.com Web: www.chipsmall.com

Address: A1208, Overseas Decoration Building, #122 Zhenhua RD., Futian, Shenzhen, China

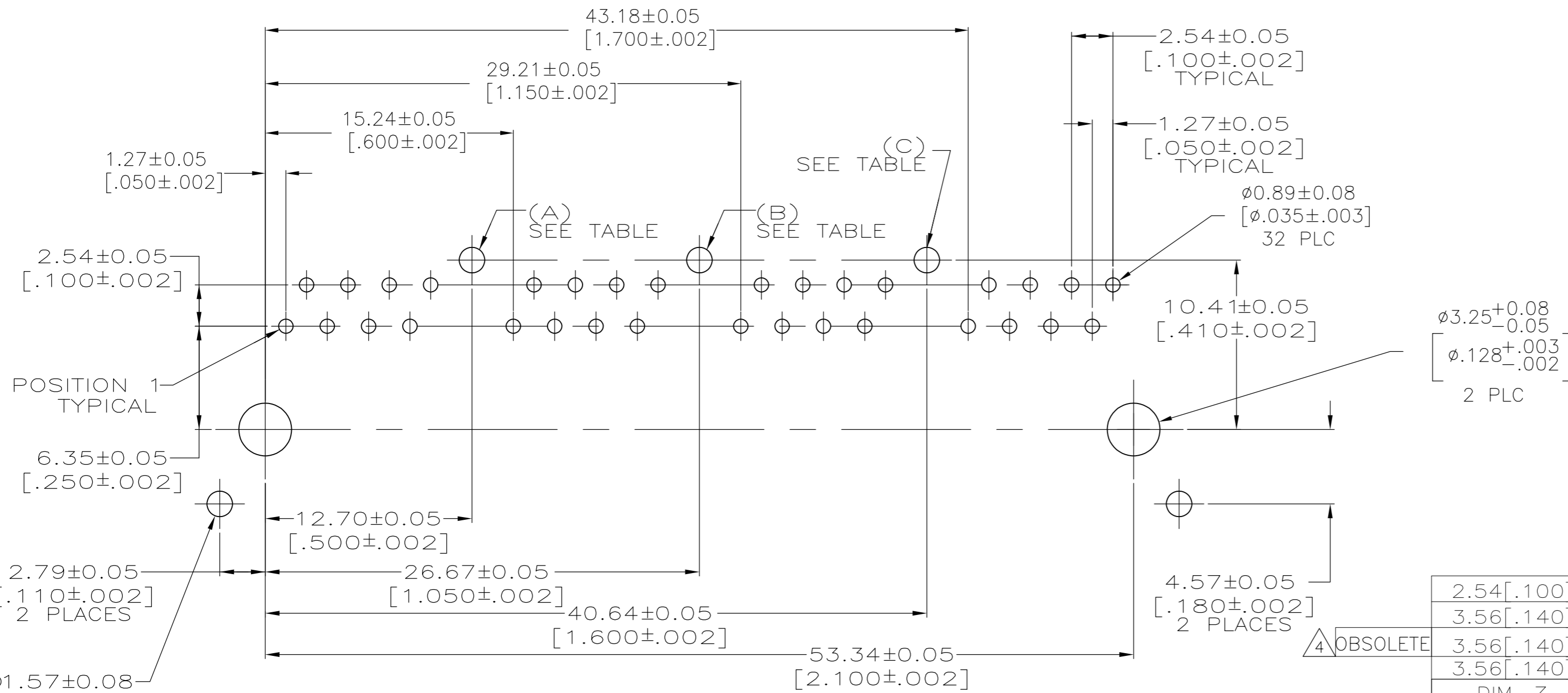


THIS DRAWING IS UNPUBLISHED. RELEASED FOR PUBLICATION
 © COPYRIGHT - By - ALL RIGHTS RESERVED.

| LOC | | DIST | | REVISIONS | | | |
|-----|-----|---------------------------|---------|-----------|------|--|--|
| P | LTR | DESCRIPTION | DATE | DWN | APVD | | |
| AA | 00 | | | | | | |
| | D2 | REVISED PER ECO-11-005033 | 25MAR11 | RK | HMR | | |



- MATERIAL: HOUSING - NYLON, COLOR: BLACK, UL 94V-0. OVERMOLDED TERMINAL ARRAY - PBT, BROWN. TERMINALS - 0.33[.013] THICK PHOS BRONZE PLATED WITH 1.27µm[.000050] MINIMUM HARD GOLD IN LOCALIZED AREA AND 3.81µm[.000150] MINIMUM MATTE TIN IN SOLDER AREA OVER 1.27µm[.000050] MINIMUM NICKEL UNDERPLATE. SHIELD - 0.254[.010] THICK COPPER ALLOY PLATED WITH 1.27µm[.000050] MINIMUM NICKEL AND 2.03 µm [.000080] MINIMUM HOT TIN DIP ON PCB GROUND TABS.
- JACK CAVITY CONFORMS TO FCC RULES AND REGULATIONS, PART 68 SUBPART F.
- SAME AS NOTE 1 EXCEPT OVERMOLDED TERMINAL ARRAY - HTN, NATURAL.
- OBsolete PARTS: OBsolete CIS STREAMLINING PER D.RENAUD/D.SINISI



SUGGESTED PC BOARD LAYOUT
 COMPONENT SIDE (TOP)
 SCALE 4:1

| | | | | |
|-------------|-------------|-------------|------------------|-------------|
| 2.54 [.100] | 3.05 [.120] | NONE | NONE | 1-5406203-2 |
| 3.56 [.140] | 3.94 [.155] | (A) (B) (C) | ALL THREE | 5406203-3 |
| 3.56 [.140] | 3.94 [.155] | (B) | (1) MIDDLE | 5406203-2 |
| 3.56 [.140] | 3.94 [.155] | NONE | NONE | 5406203-1 |
| DIM. Z | DIM. A | HOLES USED | NO. OF REAR TABS | PART NUMBER |

THIS DRAWING IS A CONTROLLED DOCUMENT.

| | | | | |
|---------------------------|-----------------------|------------------|------------------|-----------------|
| DWN T. SPRINKLE/L.A.MAYER | 01JUNE2005 | | TE Connectivity | |
| CHK J.WESTMAN | 01JUNE2005 | | NAME | |
| APVD S.FLICKINGER | 01JUNE2005 | | PRODUCT SPEC | |
| PRODUCT SPEC | 108-1163-2 | | APPLICATION SPEC | |
| MATERIAL SEE NOTE 1 & 3 | FINISH SEE NOTE 1 & 3 | WEIGHT - | SIZE A2 | CAGE CODE 00779 |
| | | CUSTOMER DRAWING | SCALE 2:1 | SHEET 1 OF 1 |

MODULAR JACK ASSEMBLY, 4 PORT, 8 POSITION, SHIELDED, REVERSE PANEL GROUND TABS, CATEGORY 5

RESTRICTED TO -

REV D2