



Chipsmall Limited consists of a professional team with an average of over 10 year of expertise in the distribution of electronic components. Based in Hongkong, we have already established firm and mutual-benefit business relationships with customers from,Europe,America and south Asia,supplying obsolete and hard-to-find components to meet their specific needs.

With the principle of “Quality Parts,Customers Priority,Honest Operation,and Considerate Service”,our business mainly focus on the distribution of electronic components. Line cards we deal with include Microchip,ALPS,ROHM,Xilinx,Pulse,ON,Everlight and Freescale. Main products comprise IC,Modules,Potentiometer,IC Socket,Relay,Connector.Our parts cover such applications as commercial,industrial, and automotives areas.

We are looking forward to setting up business relationship with you and hope to provide you with the best service and solution. Let us make a better world for our industry!



## Contact us

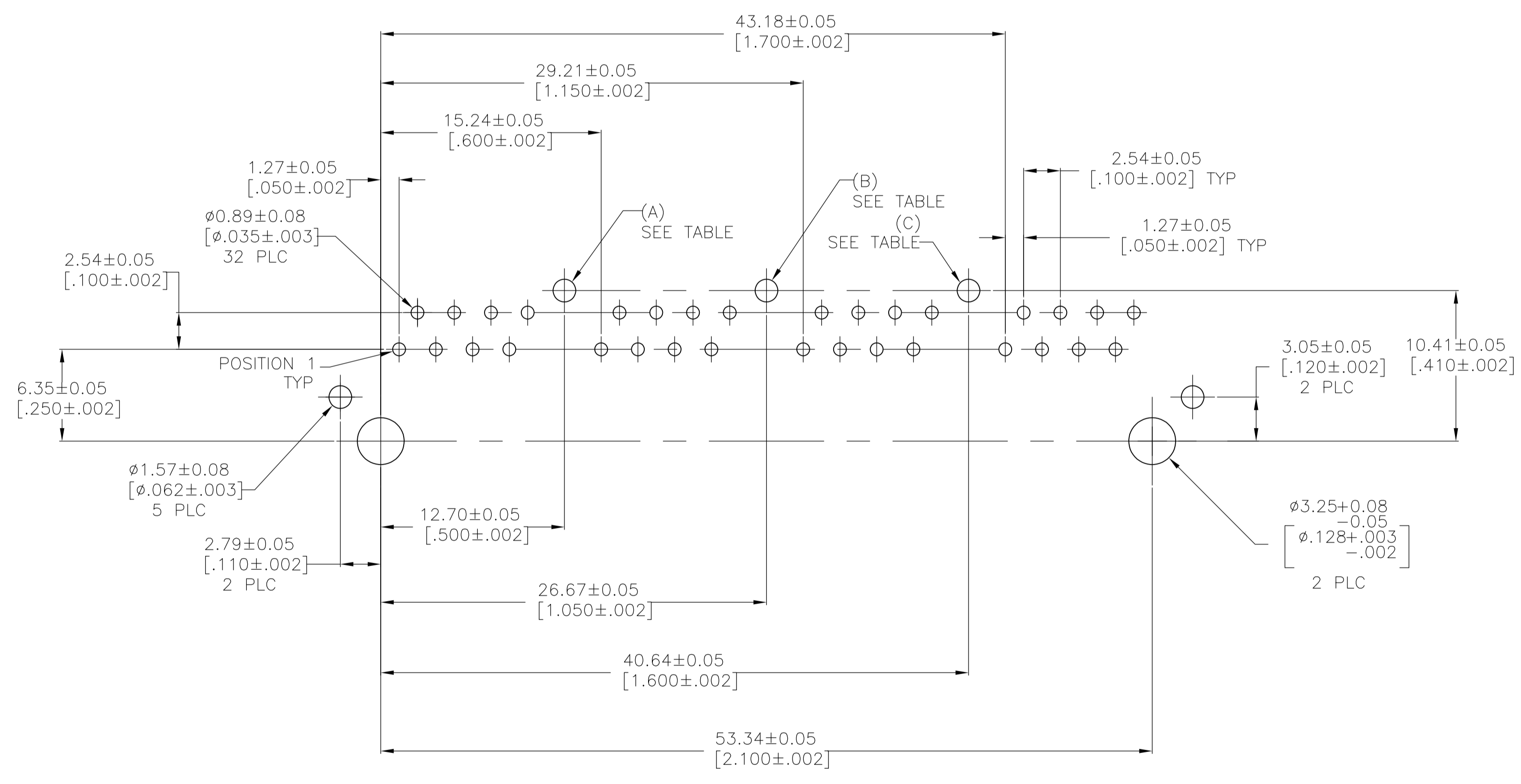
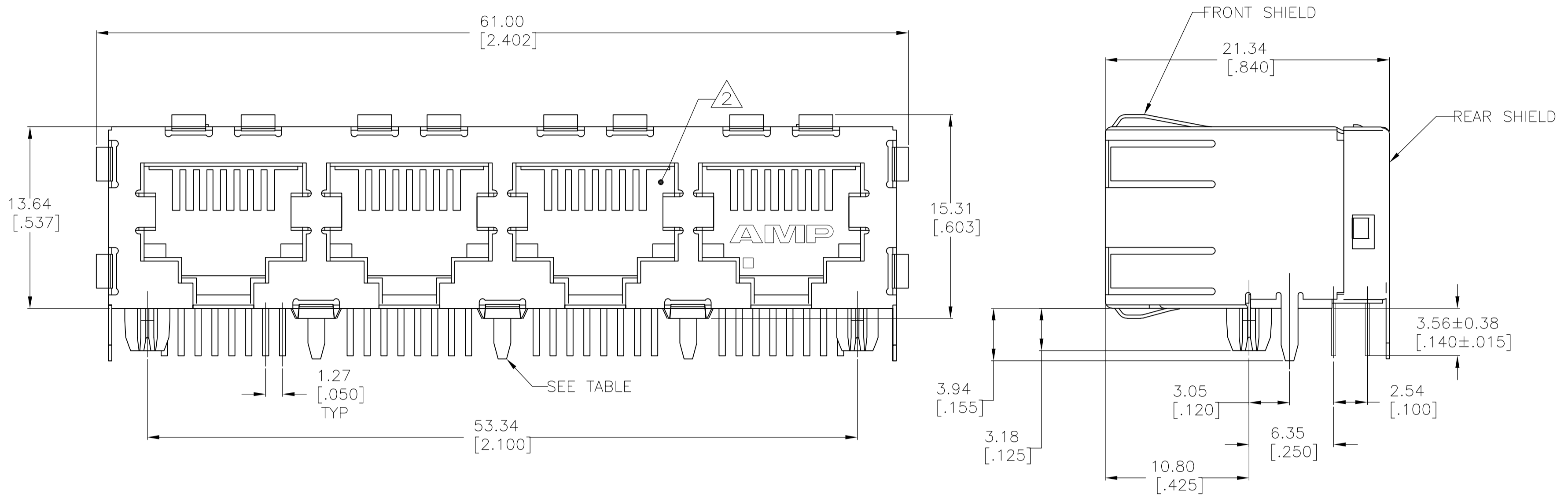
Tel: +86-755-8981 8866 Fax: +86-755-8427 6832

Email & Skype: info@chipsmall.com Web: www.chipsmall.com

Address: A1208, Overseas Decoration Building, #122 Zhenhua RD., Futian, Shenzhen, China



| LOC | DIST                      | REVISIONS   |           |     |      |
|-----|---------------------------|-------------|-----------|-----|------|
| P   | LTR                       | DESCRIPTION | DATE      | DMN | APVD |
| C1  | ECR-10-000024             |             | 04JAN2010 | TY  | SY   |
| C2  | REVISED PER ECO-10-000444 |             | 19JAN10   | KK  | HMR  |



RECOMMENDED PC BOARD LAYOUT  
COMPONENT SIDE

- MATERIAL: HOUSING - NYLON, COLOR: BLACK, UL 94V-0. OVERMOLDED TERMINAL ARRAY - PBT, BROWN. TERMINALS - 0.33[.013] THICK PHOS BRONZE PLATED WITH 1.27μm[.000050] MINIMUM HARD GOLD IN LOCALIZED AREA AND 3.81μm[.000150] MINIMUM TIN IN SOLDER AREA OVER 1.27μm[.000050] MINIMUM NICKEL UNDERPLATE. SHIELD - 0.254[.010] THICK COPPER ALLOY PLATED WITH 1.27μm[.000050] MINIMUM NICKEL AND 2.03μm[.000080] MINIMUM HOT TIN DIP ON PCB GROUND TABS.

- △ JACK CAVITY CONFORMS TO FCC RULES AND REGULATIONS, PART 68 SUBPART F.
- △ OBSOLETE PARTS: OBSOLETE CIS STREAMLINING PER D.RENAUD/D.SINISI

| (A)        | (B)              | (C) | ALL THREE | 5406281-3   |
|------------|------------------|-----|-----------|-------------|
| (B)        | (1) MIDDLE       |     |           | -5406281-2- |
| NONE       | NONE             |     |           | -5406281-1- |
| HOLES USED | NO. OF REAR TABS |     |           | PART NO.    |

THIS DRAWING IS A CONTROLLED DOCUMENT.

|                         |  |                                   |                             |                 |  |
|-------------------------|--|-----------------------------------|-----------------------------|-----------------|--|
| DIMENSIONS: mm [INCHES] | TOLERANCES UNLESS OTHERWISE SPECIFIED: | DIN J.ALCORTA/L.A.MAYER 170CT2007 | APVD S.FLICKINGER 170CT2007 | NAME J.WESTMAN  | Tyco Electronics Corporation Harrisburg, PA 17105-3608 |
| 0 PLC ± -               | 1 PLC ± -                              | 2 PLC ± -                         | 3 PLC ± -                   | 4 PLC ± -       | ANGLES ± -   |
| MATERIAL SEE NOTE 1     | FINISH SEE NOTE 1                      | WEIGHT -                          | SIZE A1                     | CAGE CODE 00779 | DRAWING NO. 5406281                                    |
| CUSTOMER DRAWING        |  |                                   | SCALE 4:1                   | SHEET 1 OF 1    | REV C2   |

MODULAR JACK ASSEMBLY, 4 PORT, 8 POSITION, SHIELDED, REVERSE PANEL GROUND TABS, CATEGORY 5