



Chipsmall Limited consists of a professional team with an average of over 10 year of expertise in the distribution of electronic components. Based in Hongkong, we have already established firm and mutual-benefit business relationships with customers from,Europe,America and south Asia,supplying obsolete and hard-to-find components to meet their specific needs.

With the principle of “Quality Parts,Customers Priority,Honest Operation,and Considerate Service”,our business mainly focus on the distribution of electronic components. Line cards we deal with include Microchip,ALPS,ROHM,Xilinx,Pulse,ON,Everlight and Freescale. Main products comprise IC,Modules,Potentiometer,IC Socket,Relay,Connector.Our parts cover such applications as commercial,industrial, and automotives areas.

We are looking forward to setting up business relationship with you and hope to provide you with the best service and solution. Let us make a better world for our industry!



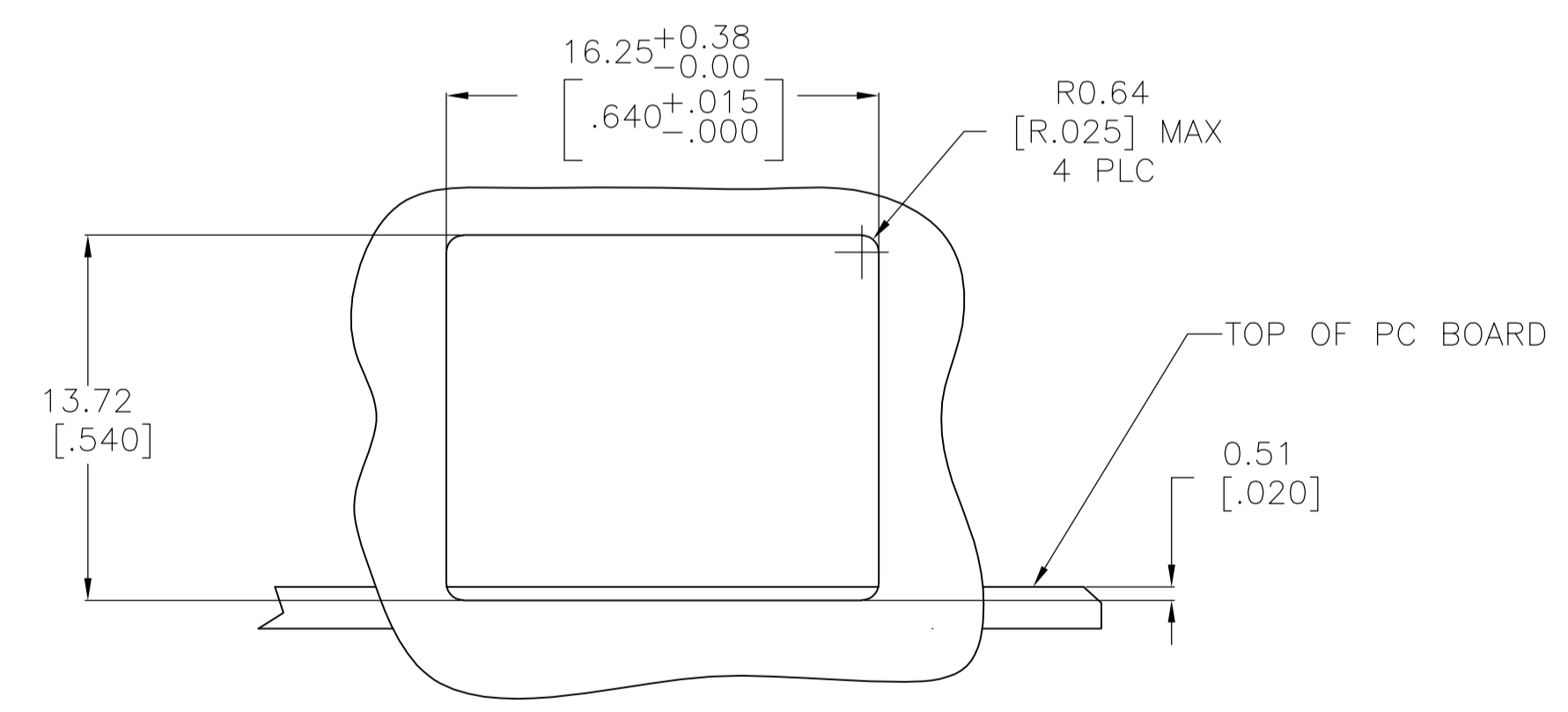
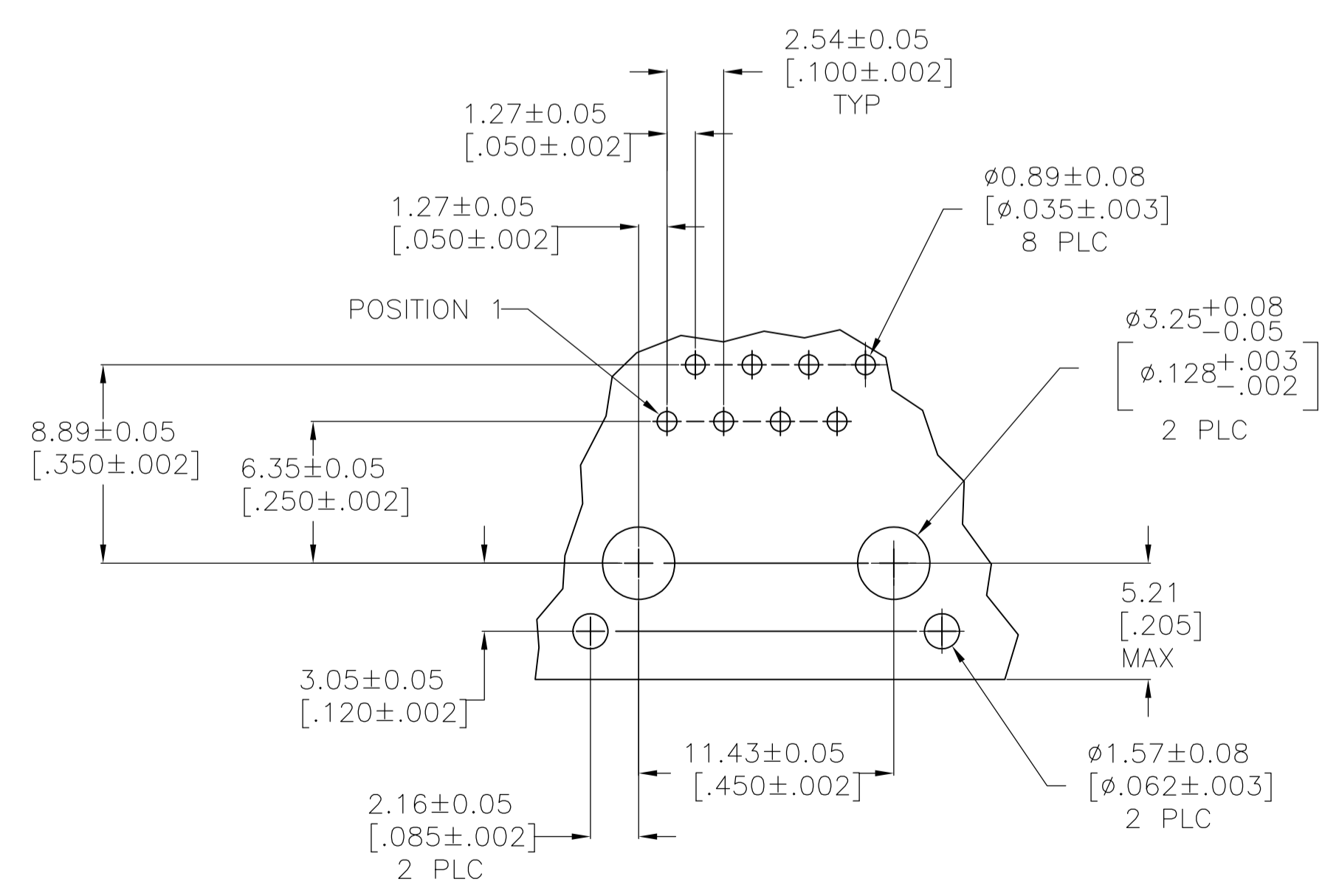
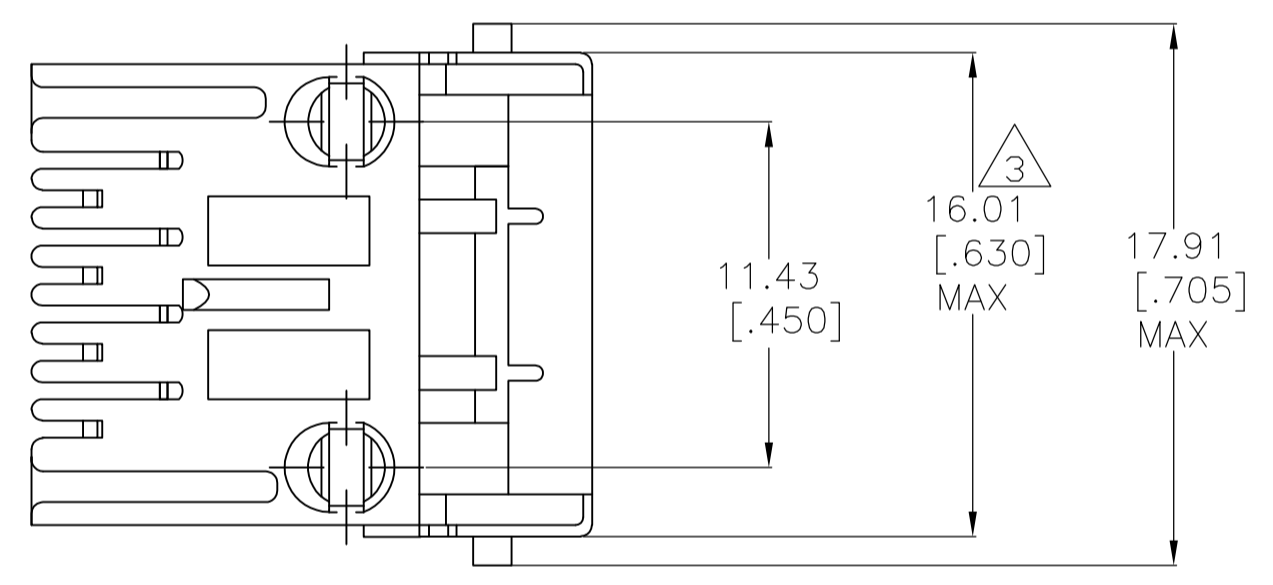
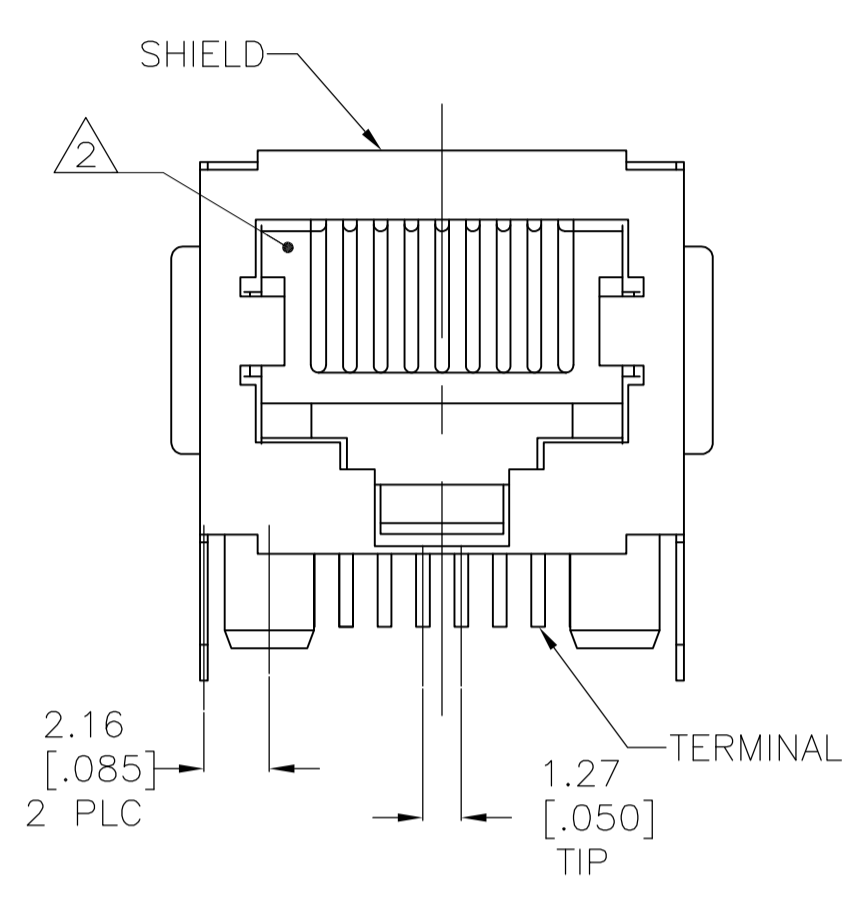
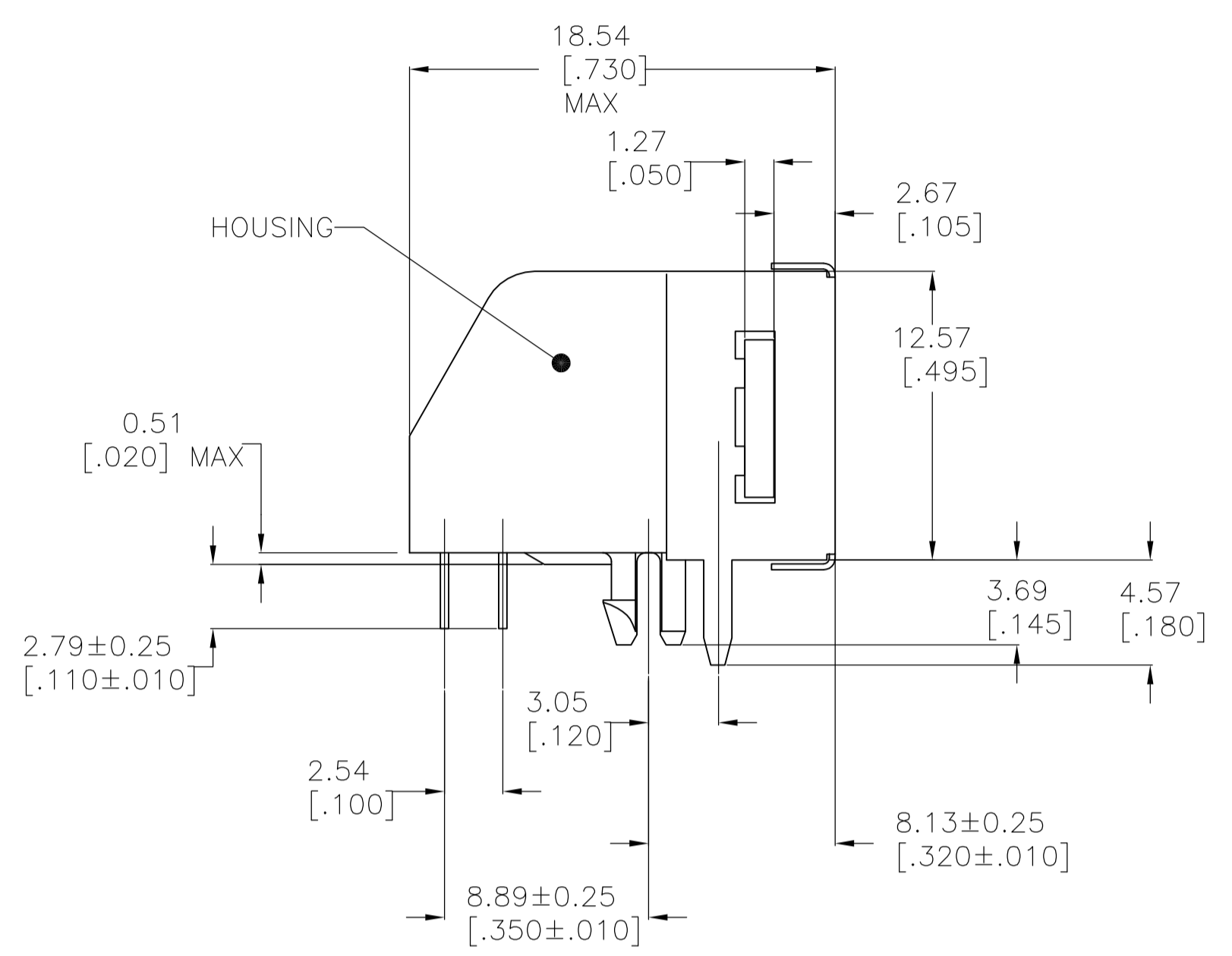
## Contact us

Tel: +86-755-8981 8866 Fax: +86-755-8427 6832

Email & Skype: info@chipsmall.com Web: www.chipsmall.com

Address: A1208, Overseas Decoration Building, #122 Zhenhua RD., Futian, Shenzhen, China





- MATERIAL:  
 HOUSING - HTN NYLON, COLOR: BLACK  
 TERMINAL - 0.36[.014] THICK PHOS-BRONZE PLATED WITH 1.27µm[.000050] MINIMUM THICK HARD GOLD IN LOCALIZED GOLD PLATE AREA AND 3.81µm[.000150] MINIMUM THICK MATTE TIN IN SOLDER AREA OVER 1.27µm[.000050] THICK MINIMUM NICKEL UNDERPLATE.  
 SHIELD - 0.25[.010] THICK COPPER ALLOY PLATED WITH 3.0µm[.000120] MINIMUM REFLOWED TIN
- CAVITY CONFORMS TO FCC RULES AND REGULATIONS, PART 68, SUBPART F
- DIMENSION MEASURED ALONG FRONT EDGES OF MATING FACE
- BULK PACKAGED IN A TRAY

SUGGESTED PRINTED CIRCUIT BOARD LAYOUT (COMPONENT SIDE)

RECOMMENDED PANEL CUTOUT

5406429-1  
PART NO.

THIS DRAWING IS A CONTROLLED DOCUMENT.		DIN J. ALCORTA - 09JUN2005	Tyco Electronics Corporation Tyco Electronics Corporation Harrisburg, Pa 17105-3608	
DIMENSIONS: mm [INCHES]		CHK J. WESTMAN	APVD S. FLICKINGER	NAME MODULAR JACK ASSEMBLY, 8 POSITION, SHIELDED, RIGHT ANGLE WITH PRINTED CIRCUIT BOARD GROUNDS AND PANEL STOPS
TOLERANCES UNLESS OTHERWISE SPECIFIED:		PRODUCT SPEC 108-1163		APPLICATION SPEC 114-2048
0 PLC ± -		SIZE A1		CAGE CODE 00779
1 PLC ± -		DRAWING NO 5406429		RESTRICTED TO -
2 PLC ± 0.13[.005]		SCALE 4:1		SHEET 1 of 1
3 PLC ± -		REV B		
4 PLC ± -				
ANGLES ± -				
MATERIAL SEE NOTE 1	FINISH SEE NOTE 1	CUSTOMER DRAWING		