



Chipsmall Limited consists of a professional team with an average of over 10 year of expertise in the distribution of electronic components. Based in Hongkong, we have already established firm and mutual-benefit business relationships with customers from,Europe,America and south Asia,supplying obsolete and hard-to-find components to meet their specific needs.

With the principle of “Quality Parts,Customers Priority,Honest Operation,and Considerate Service”,our business mainly focus on the distribution of electronic components. Line cards we deal with include Microchip,ALPS,ROHM,Xilinx,Pulse,ON,Everlight and Freescale. Main products comprise IC,Modules,Potentiometer,IC Socket,Relay,Connector.Our parts cover such applications as commercial,industrial, and automotives areas.

We are looking forward to setting up business relationship with you and hope to provide you with the best service and solution. Let us make a better world for our industry!



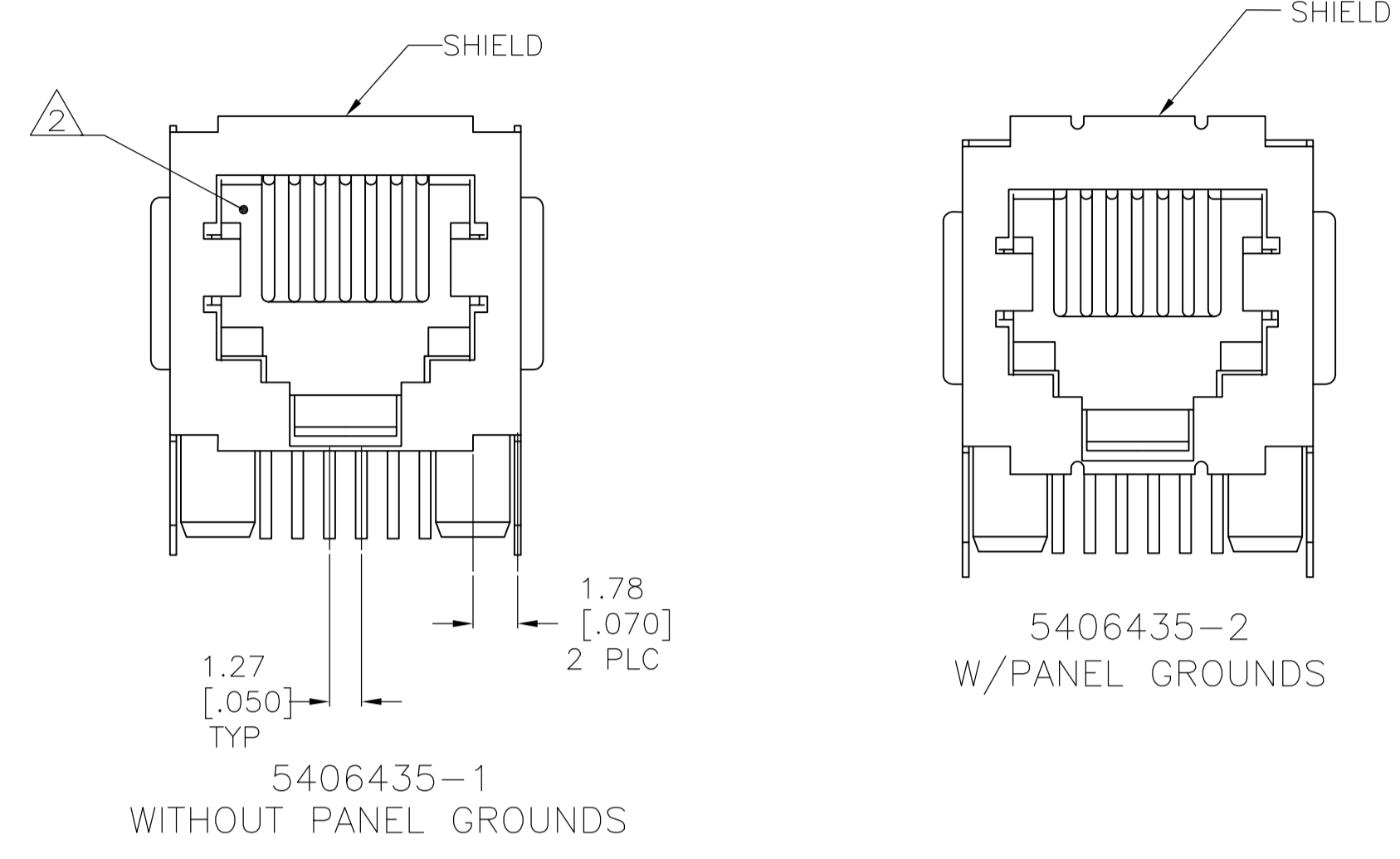
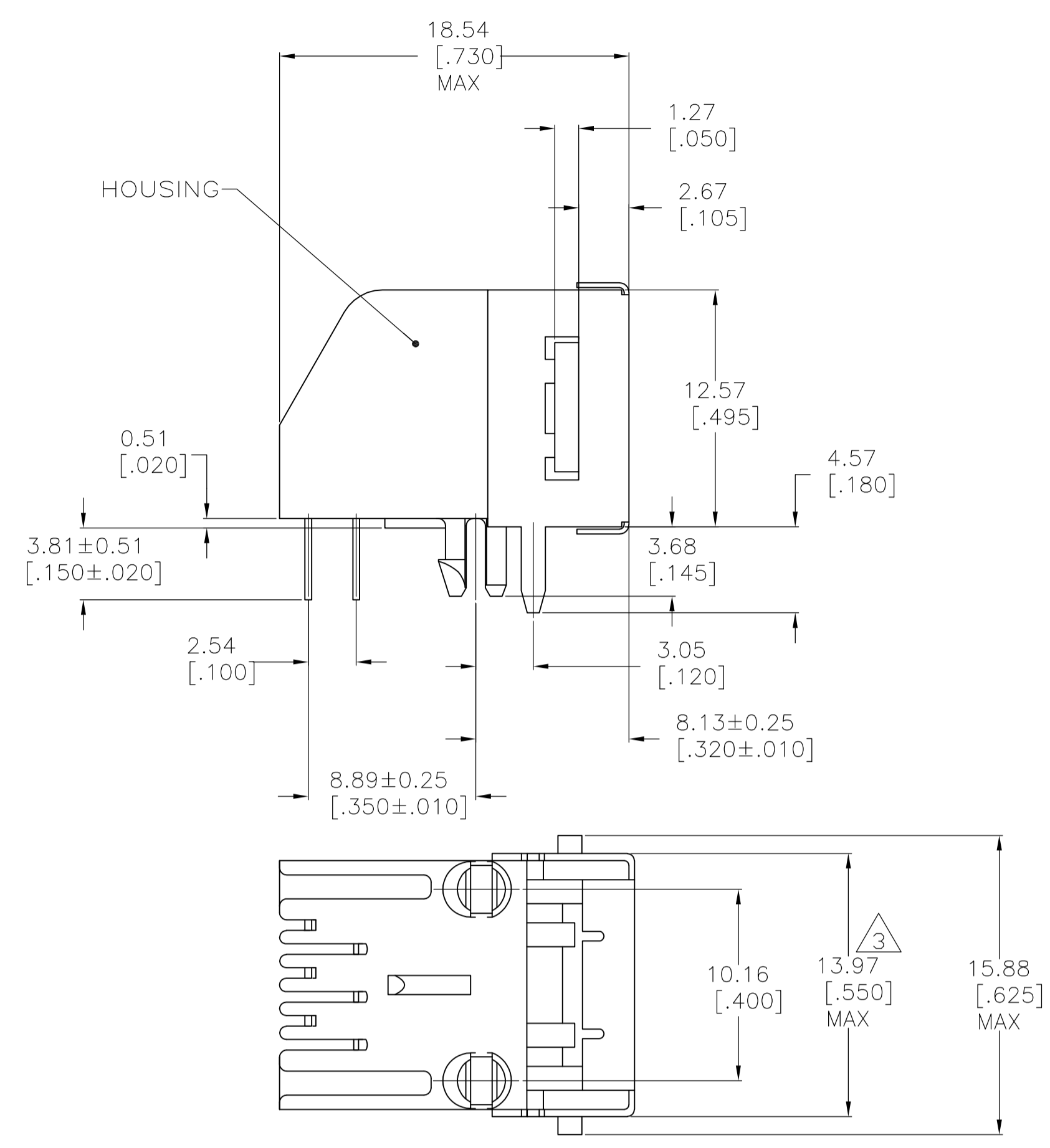
## Contact us

Tel: +86-755-8981 8866 Fax: +86-755-8427 6832

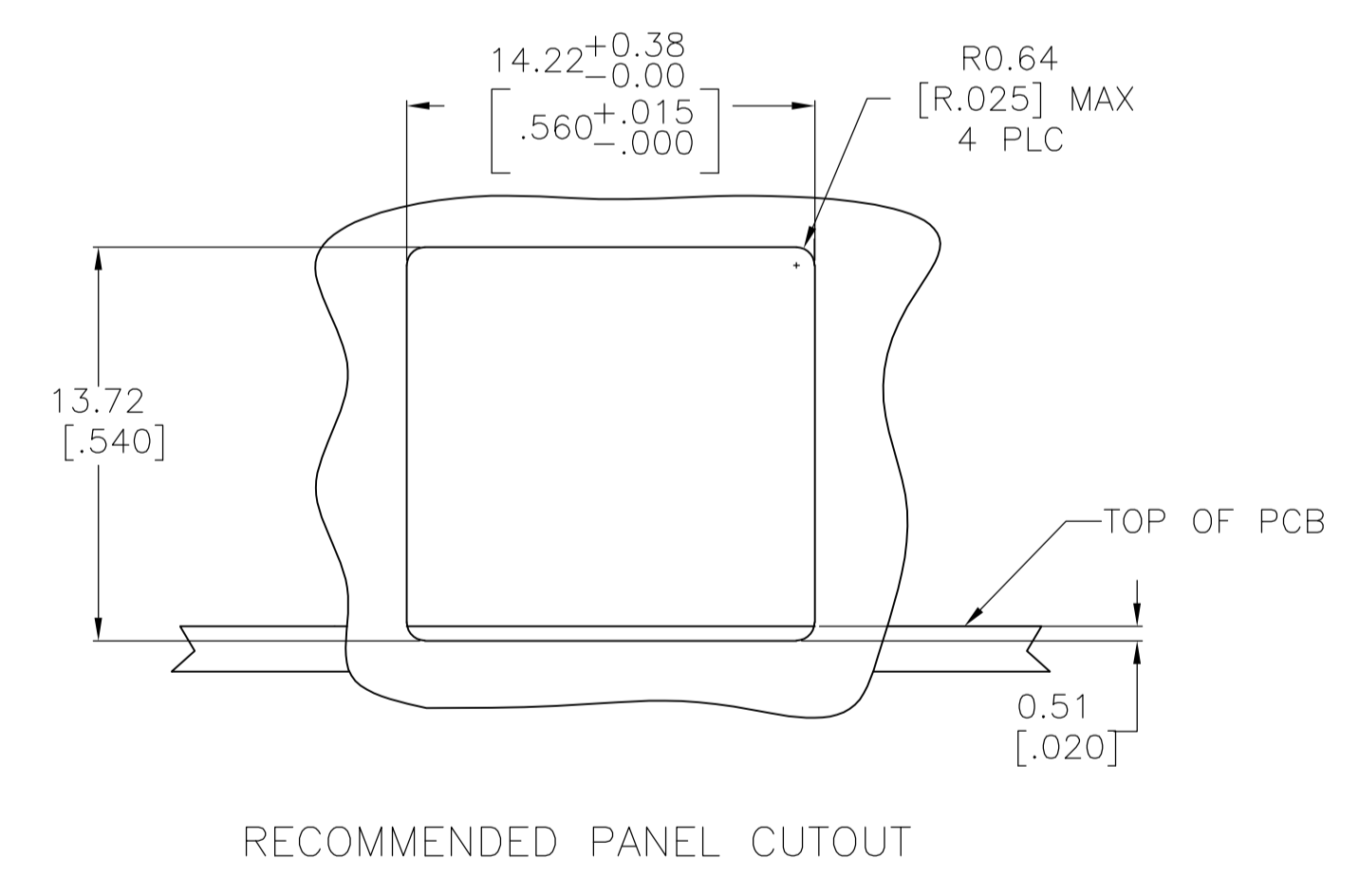
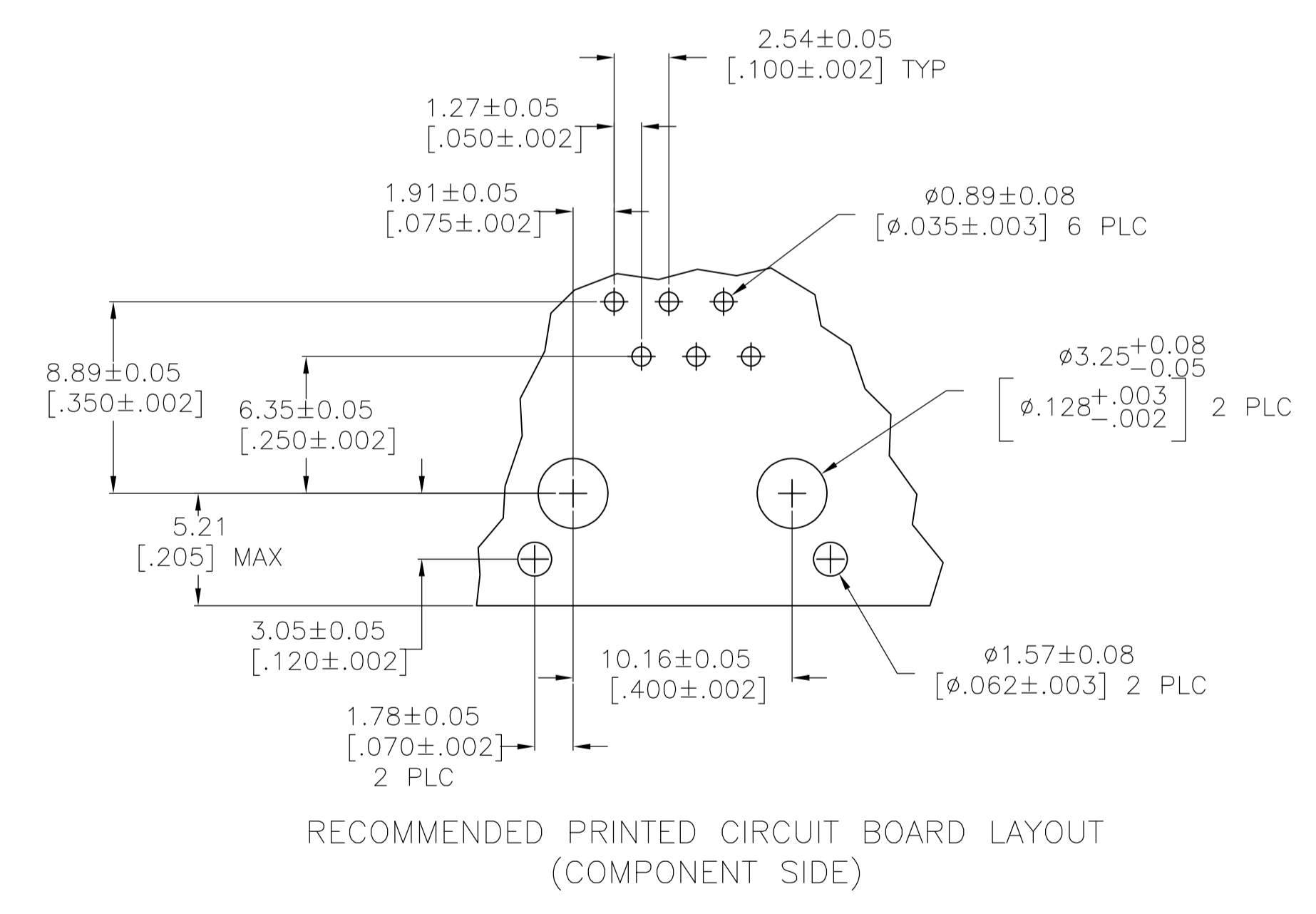
Email & Skype: info@chipsmall.com Web: www.chipsmall.com

Address: A1208, Overseas Decoration Building, #122 Zhenhua RD., Futian, Shenzhen, China





- MATERIAL: HOUSING - HTN NYLON, COLOR: BLACK  
 TERMINAL - 0.36[.014] THICK PHOS-BRONZE PLATED WITH 1.27 $\mu$ m[.000050] MINIMUM THICK HARD GOLD IN LOCALIZED GOLD PLATE AREA AND 3.81 $\mu$ m[.000150] MINIMUM THICK MATTE TIN IN SOLDER AREA OVER 1.27 $\mu$ m[.000050] MINIMUM THICK NICKEL UNDERPLATE.  
 SHIELD - 0.25[.010] THICK COPPER ALLOY, PLATED WITH 3.0 $\mu$ m[.000120] MINIMUM REFLOWED TIN
- $\triangle 2$  JACK CAVITY CONFORMS TO FCC RULES AND REGULATIONS PART 68, SUBPART F.
  - $\triangle 3$  DIMENSION MEASURED ALONG FRONT EDGE OF MATING FACE



YES	5406435-2
NO	5406435-1
PANEL GROUND	PART NUMBER

THIS DRAWING IS A CONTROLLED DOCUMENT.		DIN J. ALCORTA - DOCK 5 09JUN2005		Tyco Electronics Corporation Harrisburg, PA 17105-3608	
DIMENSIONS: mm [INCHES]		TOLERANCES UNLESS OTHERWISE SPECIFIED:		APVD S. FLICKINGER 09JUN2005	
		0 PLC	± -	NAME MODULAR JACK ASSEMBLY, SHIELDED, 6 POSITION, LOW PROFILE, RIGHT ANGLE, PRINTED CIRCUIT BOARD GROUND WITH PANEL STOPS	
		1 PLC	± -	PRODUCT SPEC 108-1163	
		2 PLC	± -	APPLICATION SPEC 114-2048	
		3 PLC	± .005	SIZE CAGE CODE DRAWING NO RESTRICTED TO	
MATERIAL SEE NOTE 1		FINISH SEE NOTE 1		WEIGHT - A1 00779 C=5406435	
				CUSTOMER DRAWING SCALE 4:1 SHEET 1 OF 1 REV D	