



Chipsmall Limited consists of a professional team with an average of over 10 year of expertise in the distribution of electronic components. Based in Hongkong, we have already established firm and mutual-benefit business relationships with customers from,Europe,America and south Asia,supplying obsolete and hard-to-find components to meet their specific needs.

With the principle of “Quality Parts,Customers Priority,Honest Operation,and Considerate Service”,our business mainly focus on the distribution of electronic components. Line cards we deal with include Microchip,ALPS,ROHM,Xilinx,Pulse,ON,Everlight and Freescale. Main products comprise IC,Modules,Potentiometer,IC Socket,Relay,Connector.Our parts cover such applications as commercial,industrial, and automotives areas.

We are looking forward to setting up business relationship with you and hope to provide you with the best service and solution. Let us make a better world for our industry!



## Contact us

Tel: +86-755-8981 8866 Fax: +86-755-8427 6832

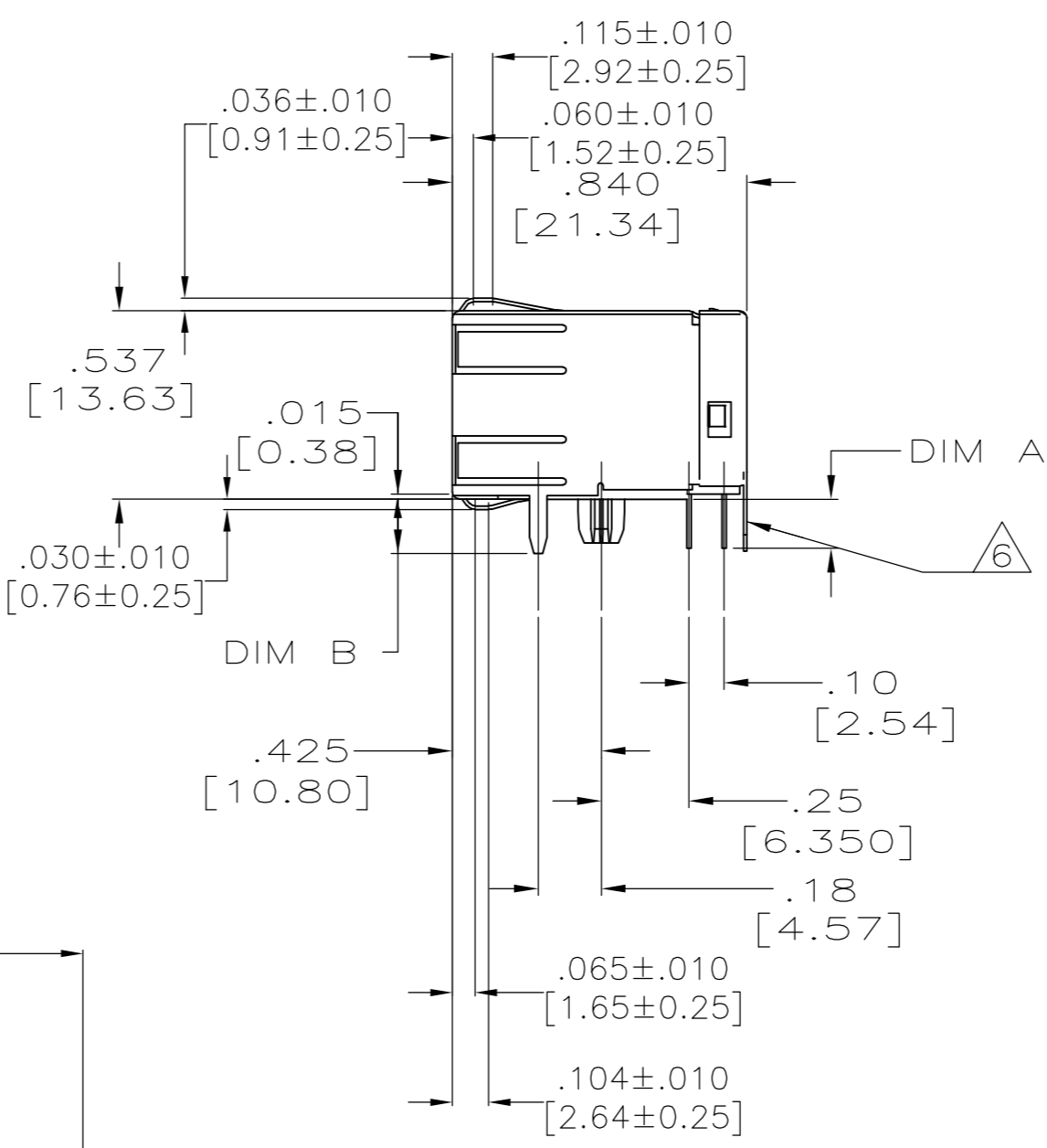
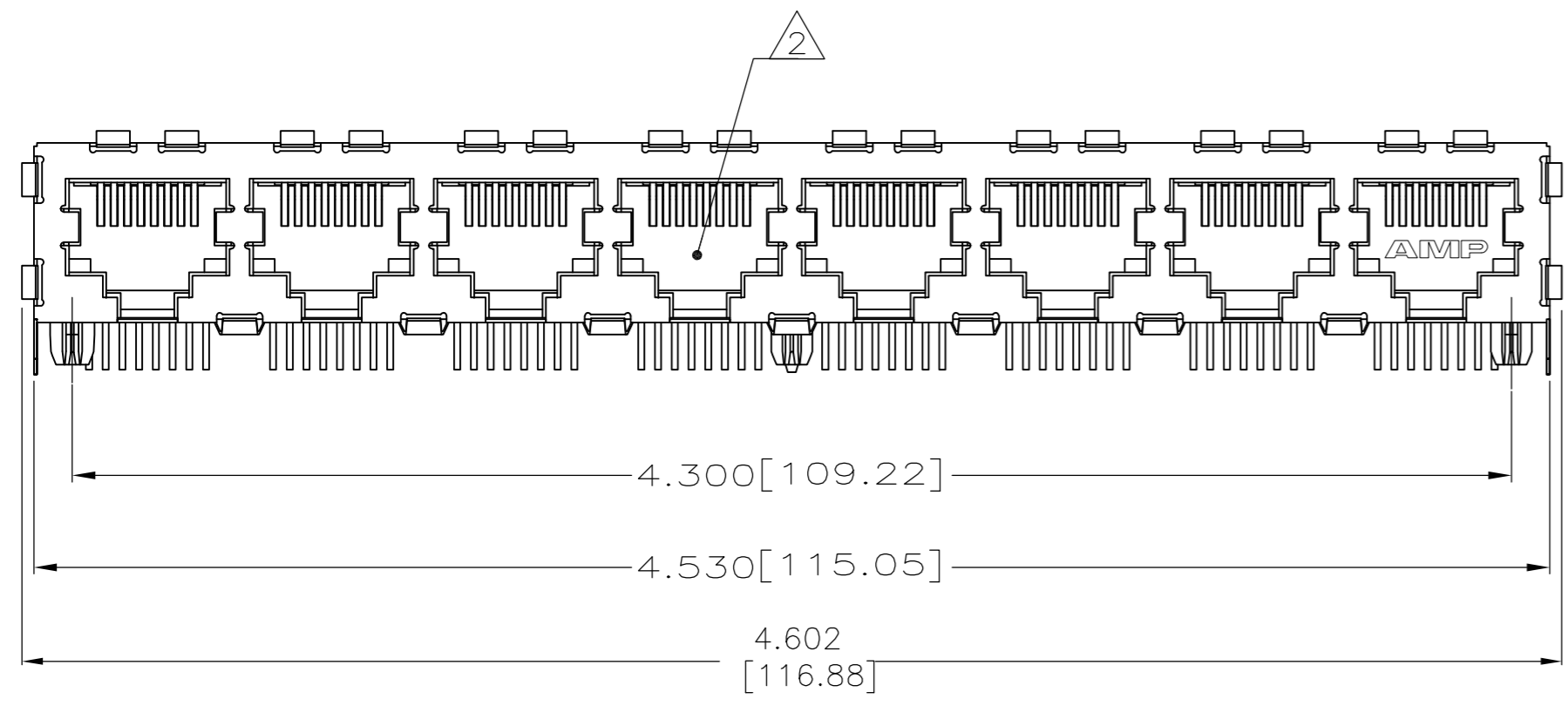
Email & Skype: info@chipsmall.com Web: www.chipsmall.com

Address: A1208, Overseas Decoration Building, #122 Zhenhua RD., Futian, Shenzhen, China



THIS DRAWING IS UNPUBLISHED. RELEASED FOR PUBLICATION  
 © COPYRIGHT BY TYCO ELECTRONICS CORPORATION. ALL RIGHTS RESERVED.

LOC	DIST	REVISIONS					
		P	LTR	DESCRIPTION	DATE	DWN	APVD
AA	00	F6		ECR-10-016042	03AUG2010	KS	M.W



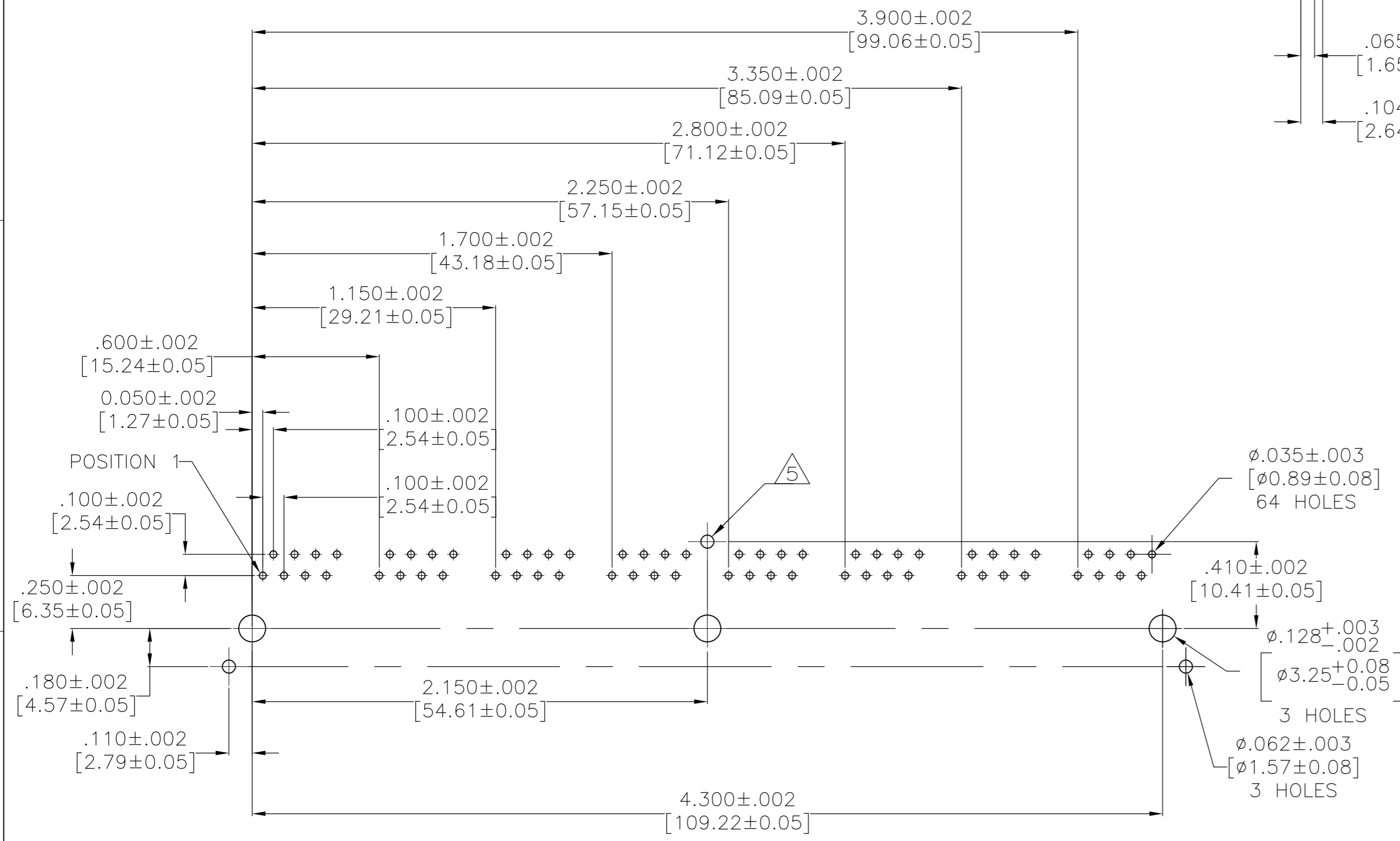
△ MATERIAL:  
 HOUSING - NYLON, COLOR: BLACK, UL94V-0.  
 OVERMOLDED TERMINAL ARRAY - HTN, BROWN.  
 TERMINALS-.013 [0.33] THICK PHOS BRONZE  
 PLATED WITH .000050 [1.27µm] THICK HARD  
 GOLD IN LOCALIZED AREA AND .000150 [3.81 µm] MIN  
 THICK MATTE TIN IN SOLDER AREA OVER .000050  
 [1.27 µm] MIN THICK NICKEL UNDERPLATE  
 SHIELDS - .010 [0.254] THICK COPPER ALLOY  
 PLATED WITH 1.27 µm [0.00050] MINIMUM NICKEL  
 AND 2.03 µm [0.00080] MINIMUM HOT TIN DIP ON  
 PCB GROUND TABS.

- △ JACK CAVITY COMFORMS TO FCC RULES AND REGULATIONS, PART 68 SUBPART F.
- 3. ALL DIMENSIONS SHOWN ARE NOMINAL UNLESS OTHERWISE SPECIFIED.
- 4. ALL DIMENSIONS SHOWN IN BRACKETS [ ] ARE IN MILLIMETERS.

- △ THIS HOLE IS NEEDED FOR -1 AND -3 ONLY.
- △ THIS TAB REMOVED ON -2.
- △ THE PART IS PRELIMINARY

△ MATERIAL:  
 HOUSING - NYLON, COLOR: BLACK, UL94V-0.  
 OVERMOLDED TERMINAL ARRAY - PBT, BROWN.  
 TERMINALS-.013 [0.33] THICK PHOS BRONZE  
 PLATED WITH .000050 [1.27µm] THICK HARD  
 GOLD IN LOCALIZED AREA AND .000150 [3.81 µm] MIN  
 THICK MATTE TIN IN SOLDER AREA OVER .000050  
 [1.27 µm] MIN THICK NICKEL UNDERPLATE  
 SHIELDS - .010 [0.254] THICK COPPER ALLOY  
 PLATED WITH 1.27 µm [0.00050] MINIMUM NICKEL  
 AND 2.03 µm [0.00080] MINIMUM HOT TIN DIP ON  
 PCB GROUND TABS.

△ OBSOLETE PARTS: OBSOLETE CIS STREAMLINING PER D.RENAUD/D.SINISI



FOR P/N:5406491-1&-2  
 SUGGESTED PC BOARD LAYOUT  
 COMPONENT SIDE  
 SEE APPLICATION SPECIFICATION

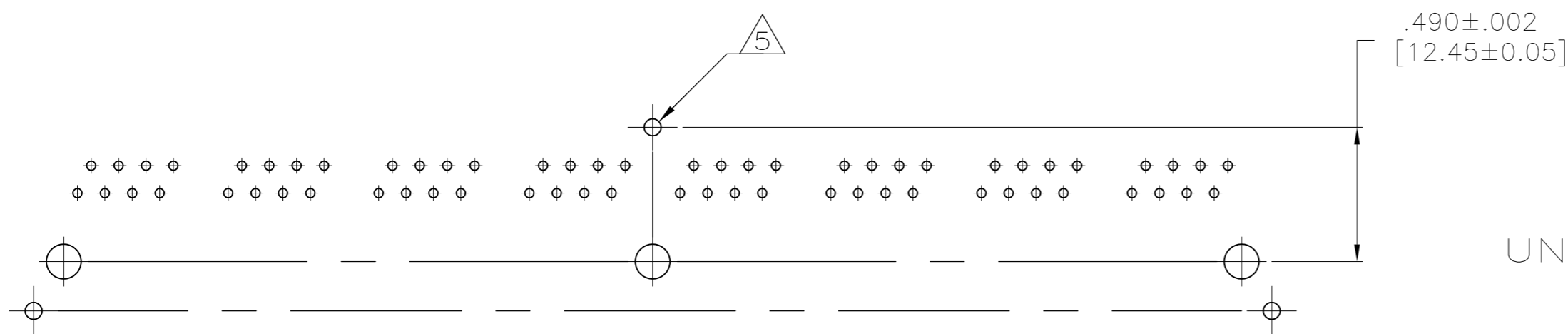
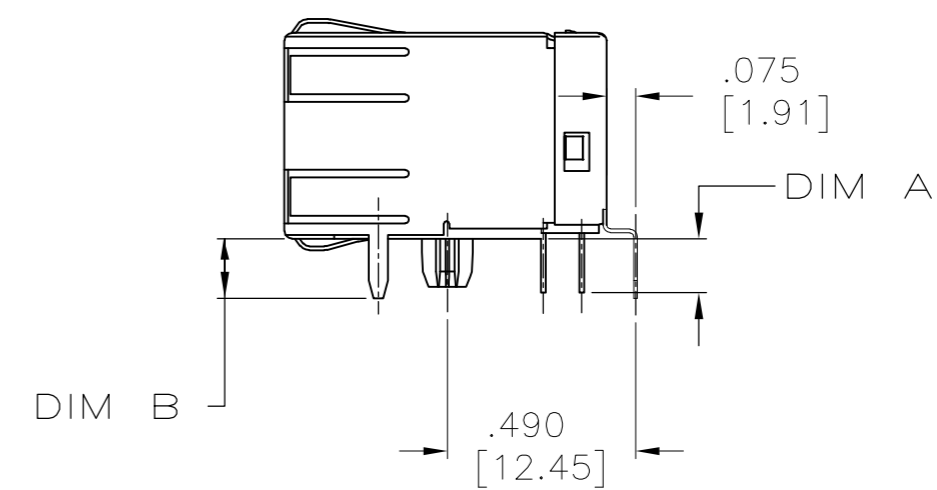
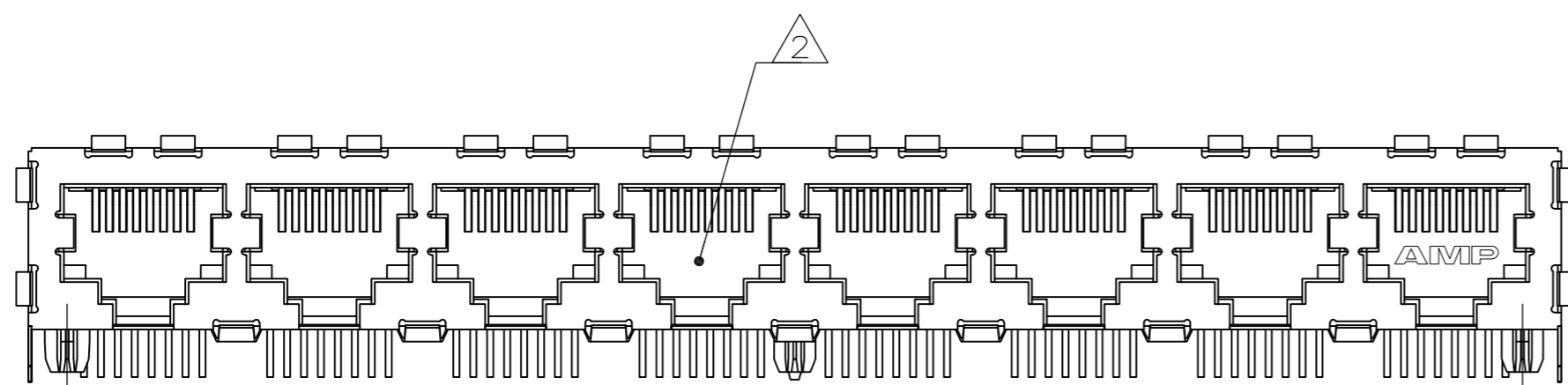
CALLOUT	DIM B (INCHES)	DIM A (INCHES)	DESCRIPTION	PART NO.
△	.128±.010	.128±.010	WITH REAR PC BOARD GROUND TAB	5406491-5
△	.128±.010	.128±.010	WITH REAR PC BOARD GROUND TAB	5406491-4 △
△	.155	.140±.015	WITHOUT REAR PC BOARD GROUND TAB	5406491-2 △
△	.155	.140±.015	WITH REAR PC BOARD GROUND TAB	5406491-1 △

THIS DRAWING IS A CONTROLLED DOCUMENT.		DWN Francis Lee 14APRIL2009	Tyco Electronics Corporation Harrisburg, Pa 17105-3608
		CHK Denny Zhu 14APRIL2009	
DIMENSIONS: INCHES		APVD Steven Yao 14APRIL2009	NAME MODULAR JACK ASSEMBLY, PANEL GROUND, 8 PORT, 8 POSITION, RIGHT ANGLE, SHIELDED, CATEGORY 5
TOLERANCES UNLESS OTHERWISE SPECIFIED:		PRODUCT SPEC 108-1163-2	
0 PLC ± -	1 PLC ± -	APPLICATION SPEC 114-2048	SIZE A2
2 PLC ± .01[0.254]	3 PLC ± .005[0.127]	WEIGHT -	CAGE CODE 00779
4 PLC ± -	ANGLES ± -	FINISH SEE NOTE 1	DRAWING NO C=5406491
SEE NOTE 1		CUSTOMER DRAWING	

THIS DRAWING IS UNPUBLISHED. RELEASED FOR PUBLICATION  
 © COPYRIGHT BY TYCO ELECTRONICS CORPORATION. ALL RIGHTS RESERVED.

LOC	DIST	REVISIONS			
P	LTR	DESCRIPTION	DATE	DWN	APVD
AA	00	SEE SHEET 1	-	-	-



FOR P/N:5406491-4;-5  
 SUGGESTED PC BOARD LAYOUT  
 COMPONENT SIDE  
 SEE APPLICATION SPECIFICATION

UNMARKED DIMENSIONS SAME AS P/N:5406491-1

THIS DRAWING IS A CONTROLLED DOCUMENT.		DWN Francis Lee 14APRIL2009	Tyco Electronics Corporation Harrisburg, Pa 17105-3608	
DIMENSIONS: INCHES		CHK Denny Zhu 14APRIL2009	NAME	
TOLERANCES UNLESS OTHERWISE SPECIFIED:		APVD Steven Yao 14APRIL2009	MODULAR JACK ASSEMBLY, PANEL GROUND, 8 PORT, 8 POSITION, RIGHT ANGLE, SHIELDED, CATEGORY 5	
0 PLC ± -		PRODUCT SPEC	SIZE	CAGE CODE
1 PLC ± -		108-1163-2	A2	00779
2 PLC ± .01[0.254]		APPLICATION SPEC	DRAWING NO	
3 PLC ± .005[0.127]		114-2048	C=5406491	
4 PLC ± -		WEIGHT	RESTRICTED TO	
ANGLES ± -		-	-	
MATERIAL SEE NOTE 1		FINISH SEE NOTE 1	SCALE 2:1 SHEET 2 OF 2 REV F6	
		CUSTOMER DRAWING		