



Chipsmall Limited consists of a professional team with an average of over 10 year of expertise in the distribution of electronic components. Based in Hongkong, we have already established firm and mutual-benefit business relationships with customers from,Europe,America and south Asia,supplying obsolete and hard-to-find components to meet their specific needs.

With the principle of “Quality Parts,Customers Priority,Honest Operation,and Considerate Service”,our business mainly focus on the distribution of electronic components. Line cards we deal with include Microchip,ALPS,ROHM,Xilinx,Pulse,ON,Everlight and Freescale. Main products comprise IC,Modules,Potentiometer,IC Socket,Relay,Connector.Our parts cover such applications as commercial,industrial, and automotives areas.

We are looking forward to setting up business relationship with you and hope to provide you with the best service and solution. Let us make a better world for our industry!



Contact us

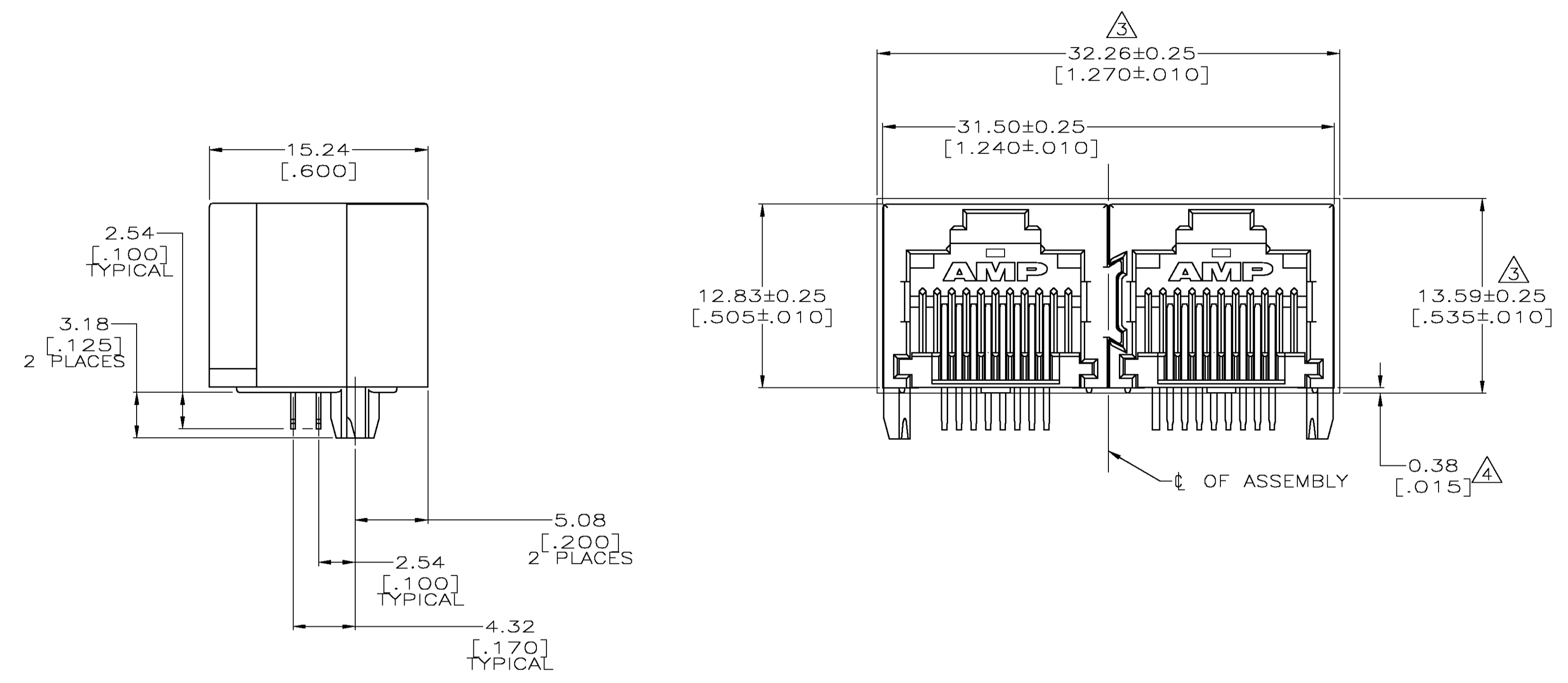
Tel: +86-755-8981 8866 Fax: +86-755-8427 6832

Email & Skype: info@chipsmall.com Web: www.chipsmall.com

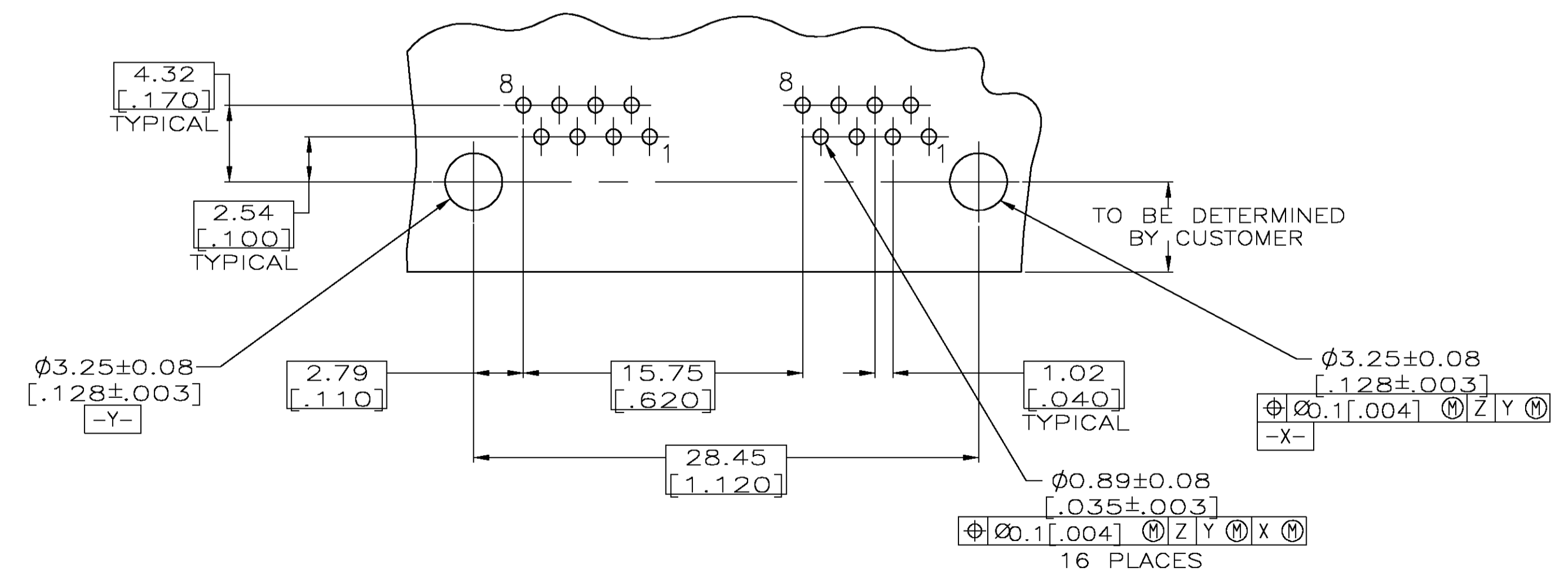
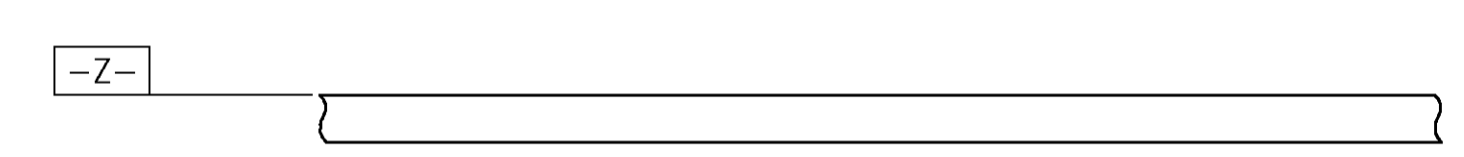
Address: A1208, Overseas Decoration Building, #122 Zhenhua RD., Futian, Shenzhen, China



| LOC | | DIST | | REVISONS | | | |
|-----|-----|----------------|------------|----------|------|--|--|
| P | LTR | DESCRIPTION | DATE | DNW | APVD | | |
| A | | ECOS11-0201-04 | 08JUNE2005 | LAM | SF | | |



- MATERIAL:
 HOUSING - HIGH TEMPERATURE THERMOPLASTIC, BLACK, UL94V-0; IR REFLOW SOLDERING PROCESS COMPATIBLE.
 TERMINALS - .36[.014] THICK PHOS BRONZE PLATED WITH 3.81µm[.000150] MINIMUM THICK MATTE TIN IN SOLDER AREA. 1.27 µm [.000050] MINIMUM GOLD IN LOCALIZED PLATE AREA. ENTIRE TERMINAL PLATED WITH 1.27µm [.000050] MINIMUM THICK NICKEL.
 - JACK CAVITY CONFORMS TO FCC RULES AND REGULATIONS PART 68, SUBPART F.
- △ SUGGESTED PANEL OPENING DIMENSIONS.
 ▲ SUGGESTED CLEARANCE BETWEEN BOTTOM OF CONNECTOR AND BOTTOM PANEL OPENING.



SUGGESTED PRINTED CIRCUIT BOARD LAYOUT
 (COMPONENT SIDE)

5406526-1
 PART NUMBER

| | | | | | |
|--|--|---|------------|---|--|
| THIS DRAWING IS A CONTROLLED DOCUMENT. | | DNW T. WOOTEN / L.A. MAYER 08JUNE2005 | 08JUNE2005 | Tyco Electronics Corporation Harrisburg, Pa 17105-3608 | |
| DIMENSIONS: mm | | CHK J. WESTMAN 08JUNE2005 | 08JUNE2005 | NAME S. FLICKINGER | |
| TOLERANCES UNLESS OTHERWISE SPECIFIED: | | PRODUCT SPEC 108-1163-4 | | RESTRICTED TO | |
| 0 PLC ± - | | APPLICATION SPEC 114-2154 | | SIZE A1 | |
| 1 PLC ± - | | WEIGHT - | | CAGE CODE 00779 | |
| 2 PLC ± - | | SCALE 4:1 | | DRAWING NO 5406526 | |
| 3 PLC ± - | | SHEET 1 OF 1 | | REV A | |
| 4 PLC ± - | | CUSTOMER DRAWING | | | |