



Chipsmall Limited consists of a professional team with an average of over 10 year of expertise in the distribution of electronic components. Based in Hongkong, we have already established firm and mutual-benefit business relationships with customers from,Europe,America and south Asia,supplying obsolete and hard-to-find components to meet their specific needs.

With the principle of “Quality Parts,Customers Priority,Honest Operation,and Considerate Service”,our business mainly focus on the distribution of electronic components. Line cards we deal with include Microchip,ALPS,ROHM,Xilinx,Pulse,ON,Everlight and Freescale. Main products comprise IC,Modules,Potentiometer,IC Socket,Relay,Connector.Our parts cover such applications as commercial,industrial, and automotives areas.

We are looking forward to setting up business relationship with you and hope to provide you with the best service and solution. Let us make a better world for our industry!



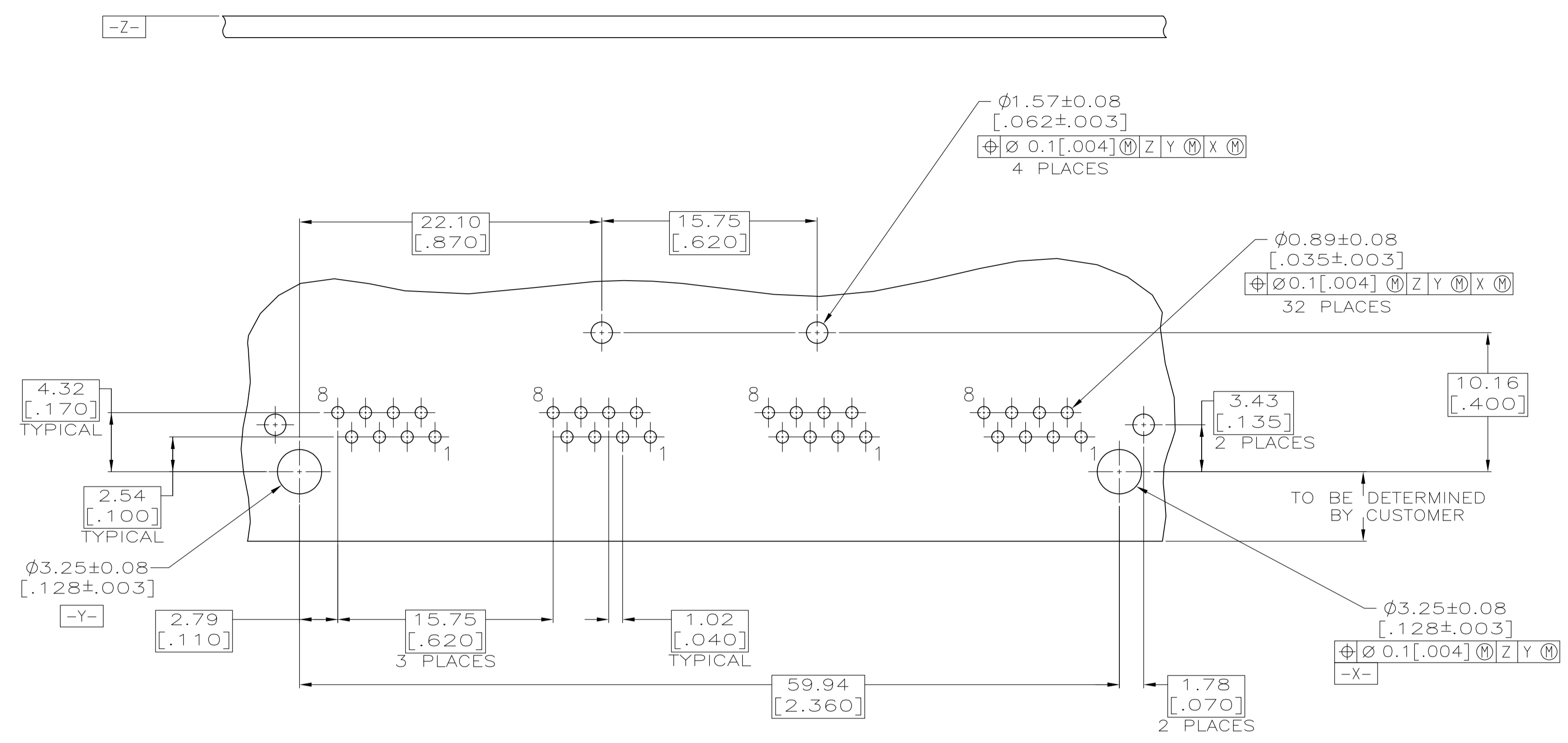
Contact us

Tel: +86-755-8981 8866 Fax: +86-755-8427 6832

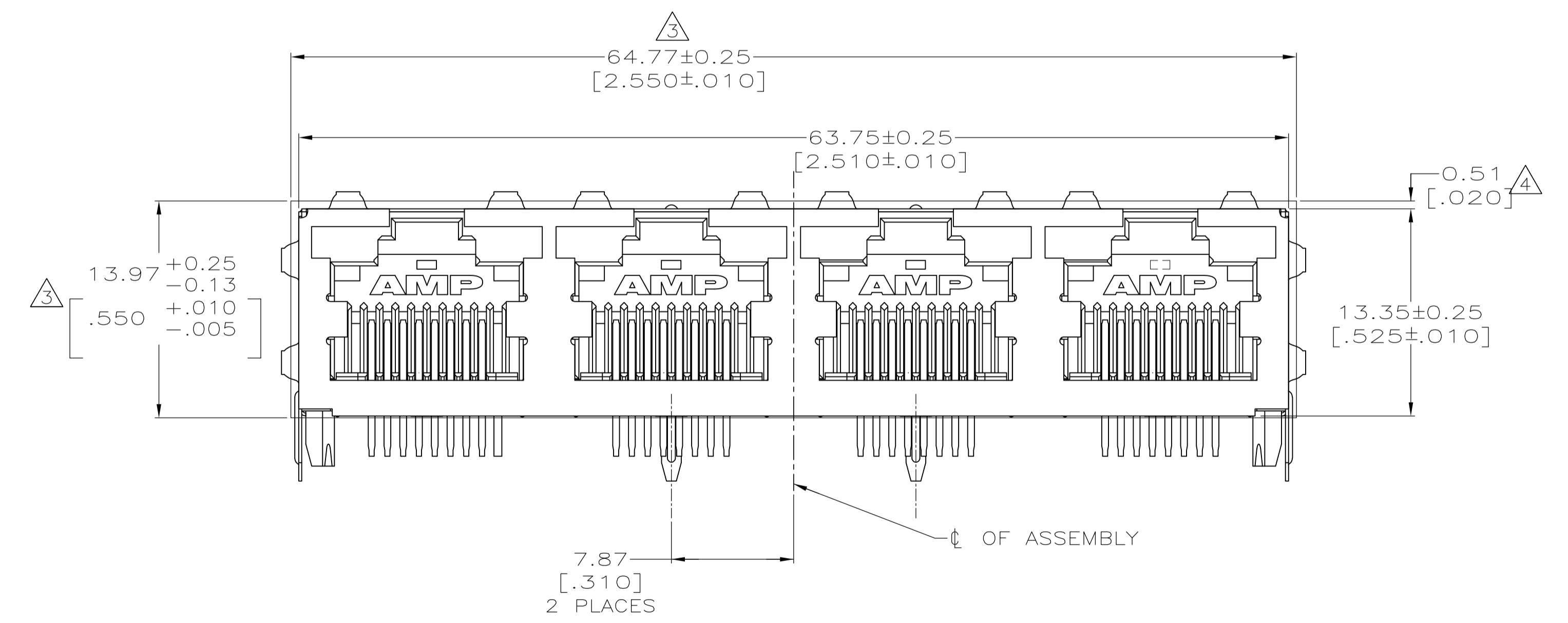
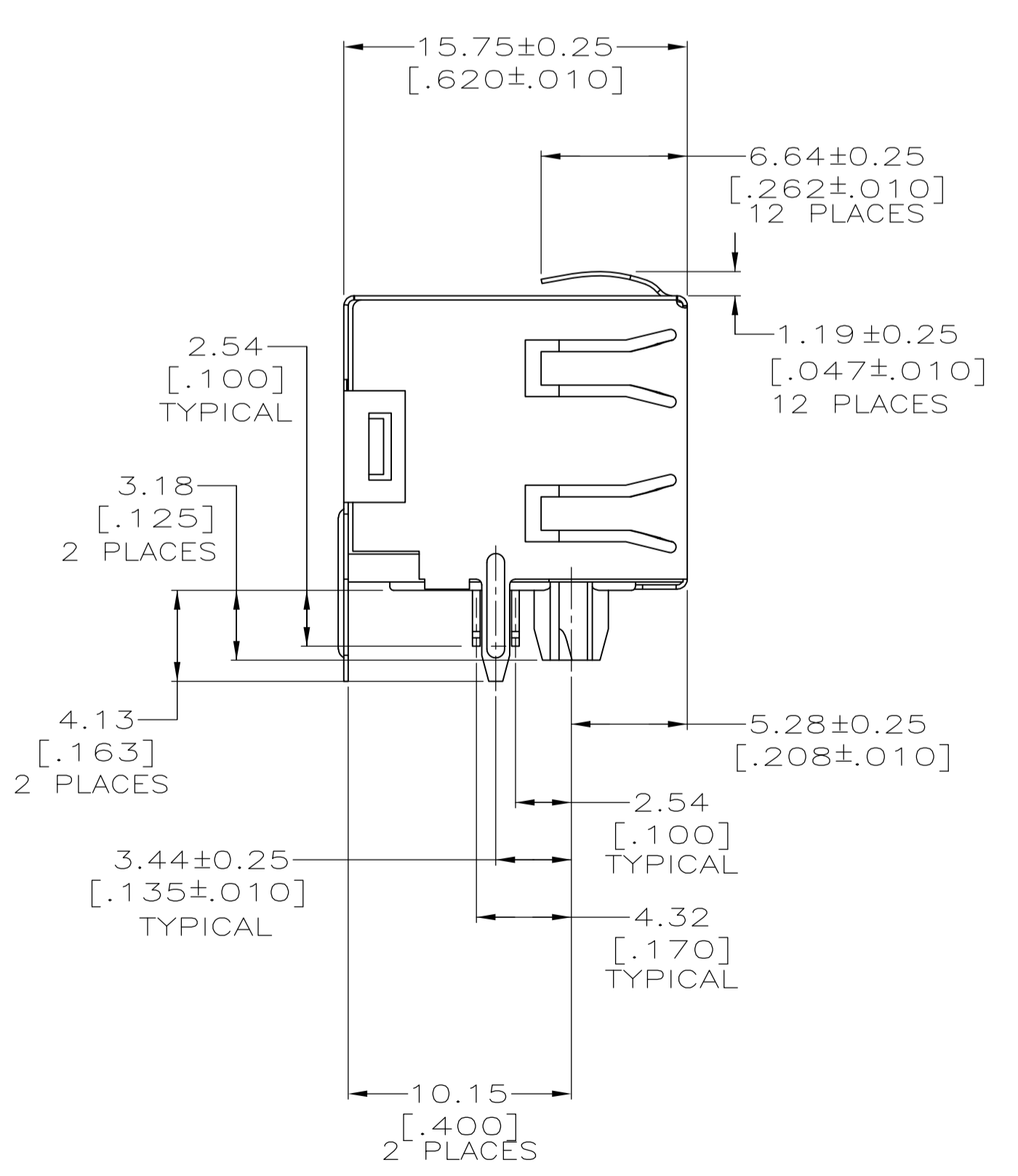
Email & Skype: info@chipsmall.com Web: www.chipsmall.com

Address: A1208, Overseas Decoration Building, #122 Zhenhua RD., Futian, Shenzhen, China





SUGGESTED PRINTED CIRCUIT BOARD LAYOUT
(COMPONENT SIDE)



- ▲ MATERIAL:
 HOUSING - HIGH TEMPERATURE THERMOPLASTIC, BLACK, UL94V-0.
 TERMINALS - .36[.014] THICK PHOS BRONZE PLATED WITH 3.81 μ m[.000150] MINIMUM THICK MATTE TIN IN SOLDER AREA. 1.27 μ m [.000050] MINIMUM GOLD IN LOCALIZED PLATE AREA. ENTIRE TERMINAL PLATED WITH 1.27 μ m [.000050] MINIMUM THICK NICKEL.
 SHIELD - .196[.0077] THICK COPPER ZINC ALLOY PREPLATED WITH 2.03 μ m[.000080] - 3.81 μ m [.000150] BRIGHT TIN OVER 1.27 μ m [.000050] THICK MIN NICKEL.
2. JACK CAVITY CONFORMS TO FCC RULES AND REGULATIONS PART 68, SUBPART F.
- ▲ SUGGESTED PANEL OPENING DIMENSIONS.
- ▲ SUGGESTED CLEARANCE BETWEEN TOP OF CONNECTOR AND TOP PANEL OPENING.

T&R	5406544-2
TRAY	5406544-1
PACKAGE	PART NUMBER

THIS DRAWING IS A CONTROLLED DOCUMENT.		DIN J. ALCORTA - 16JUN2005	Tyco Electronics Corporation Harrisburg, PA 17105-3608
DIMENSIONS: mm[inches]		CHK J. WESTMAN 16JUN2005	
	TOLERANCES UNLESS OTHERWISE SPECIFIED:	APVD S. FLICKINGER 16JUN2005	NAME INVERTED MOD JACK ASSEMBLY, 1x4, SHIELDED, PANEL GROUND
	0. PLC ± -	PRODUCT SPEC 108-1163-4	SIZE 114-2154
	1. PLC ± -	APPLICATION SPEC	WEIGHT -
	2. PLC ± -	WEIGHT -	CUSTOMER DRAWING
3. PLC ± -	FINISH -	SCALE 4:1	RESTRICTED TO
4. PLC ± -	SCALE 4:1	SHEET 1 OF 1	REV B
ANGLES ± -	SCALE 4:1	SHEET 1 OF 1	REV B