



Chipsmall Limited consists of a professional team with an average of over 10 year of expertise in the distribution of electronic components. Based in Hongkong, we have already established firm and mutual-benefit business relationships with customers from,Europe,America and south Asia,supplying obsolete and hard-to-find components to meet their specific needs.

With the principle of “Quality Parts,Customers Priority,Honest Operation,and Considerate Service”,our business mainly focus on the distribution of electronic components. Line cards we deal with include Microchip,ALPS,ROHM,Xilinx,Pulse,ON,Everlight and Freescale. Main products comprise IC,Modules,Potentiometer,IC Socket,Relay,Connector.Our parts cover such applications as commercial,industrial, and automotives areas.

We are looking forward to setting up business relationship with you and hope to provide you with the best service and solution. Let us make a better world for our industry!



Contact us

Tel: +86-755-8981 8866 Fax: +86-755-8427 6832

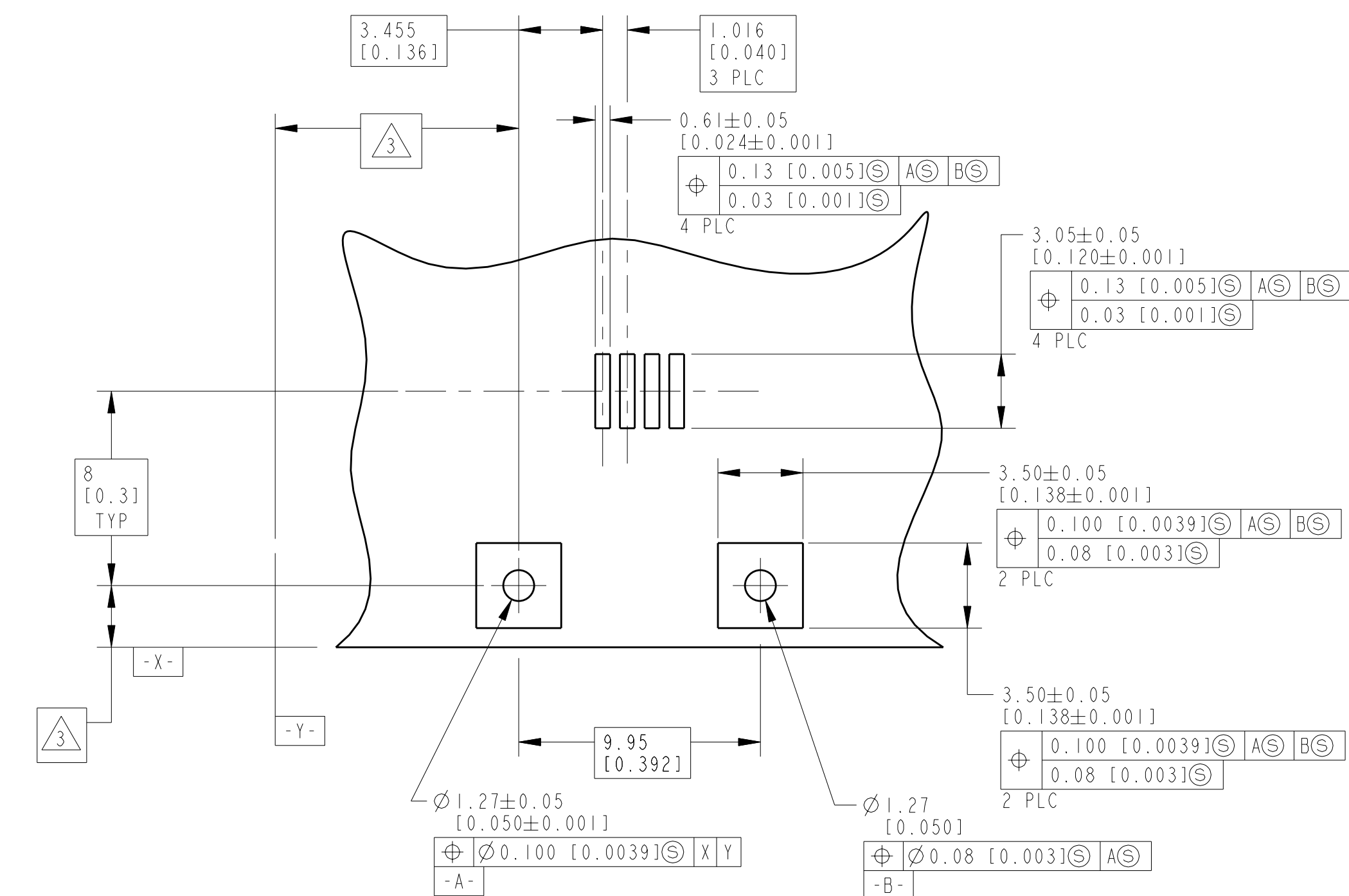
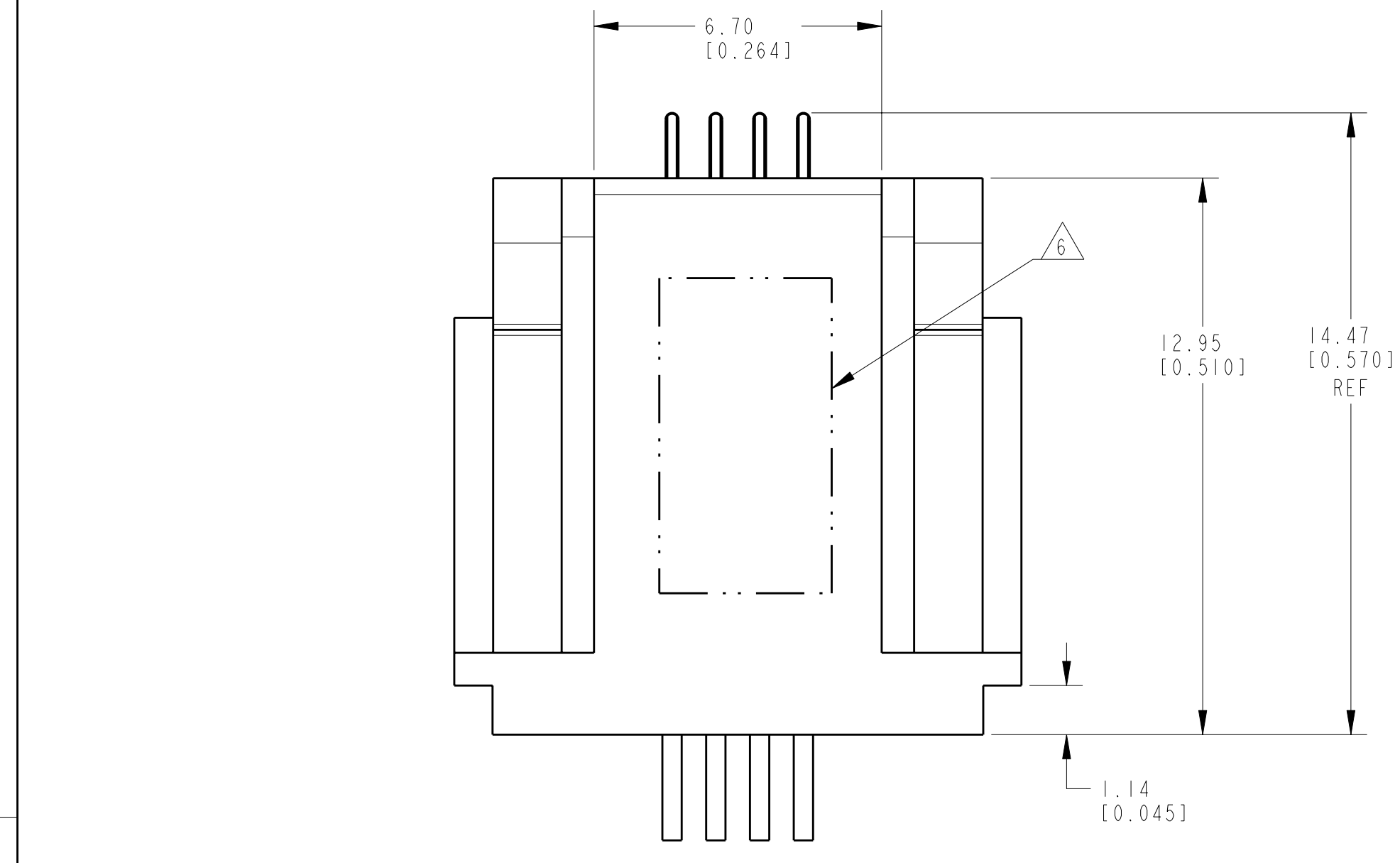
Email & Skype: info@chipsmall.com Web: www.chipsmall.com

Address: A1208, Overseas Decoration Building, #122 Zhenhua RD., Futian, Shenzhen, China

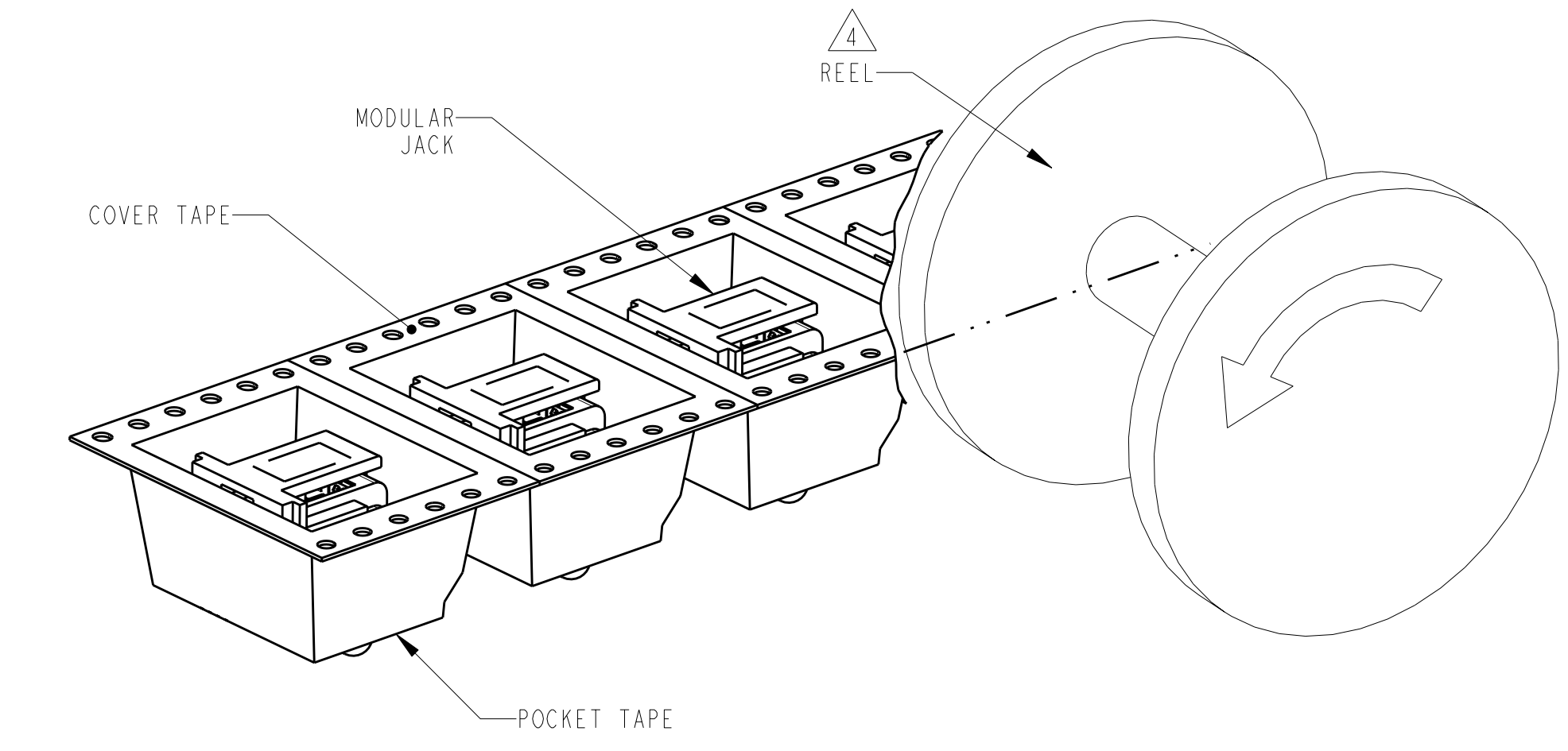
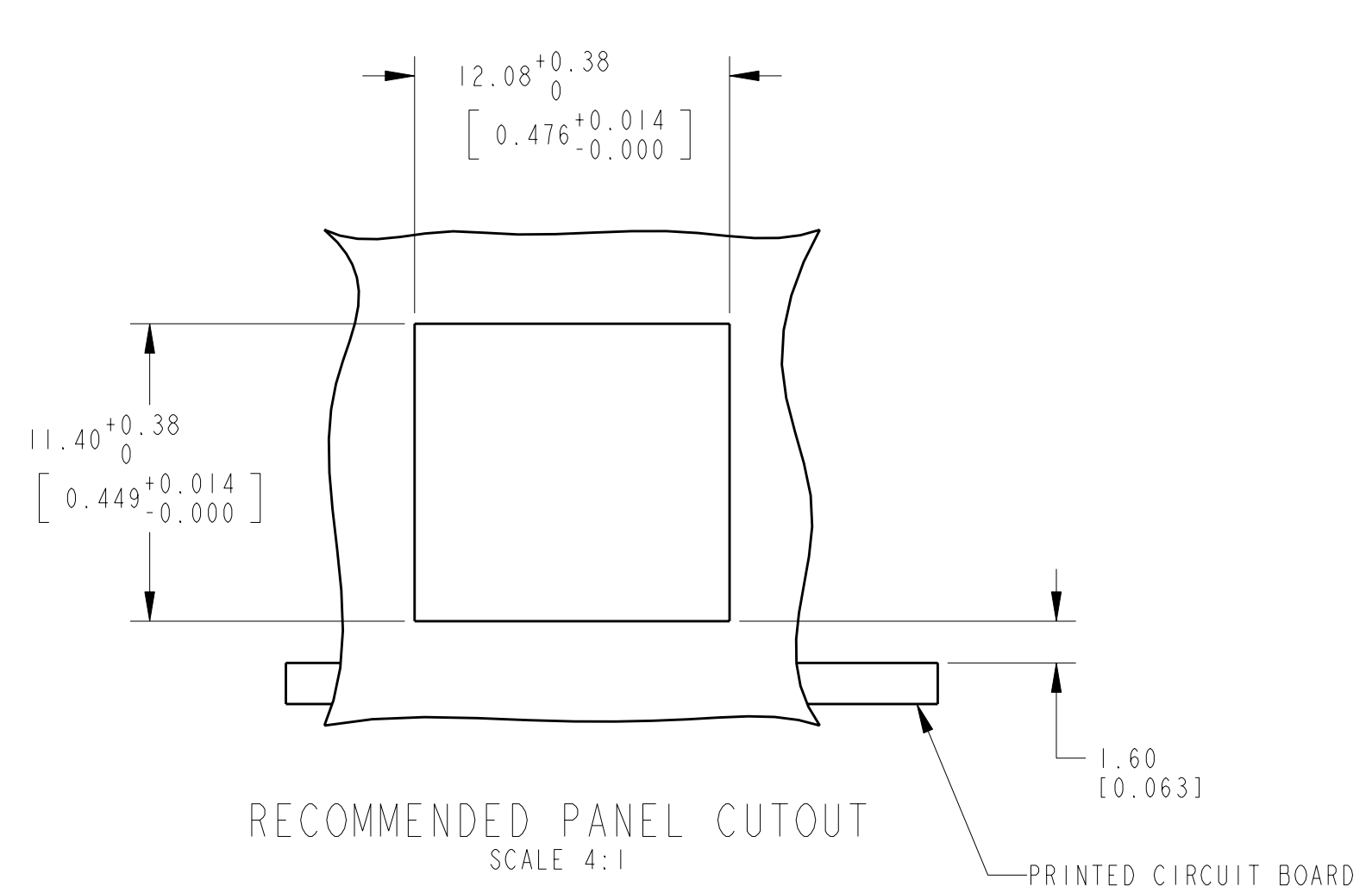
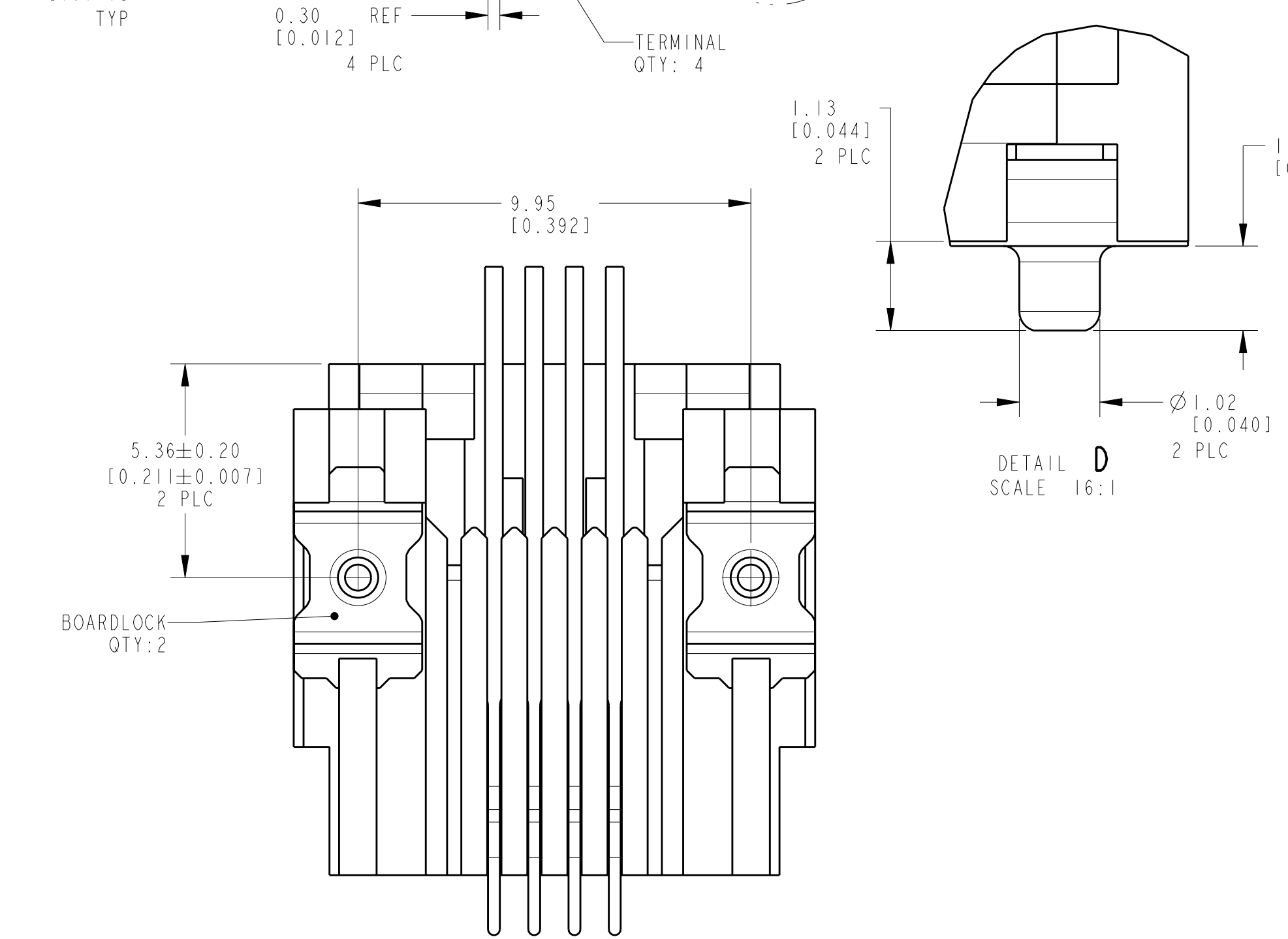
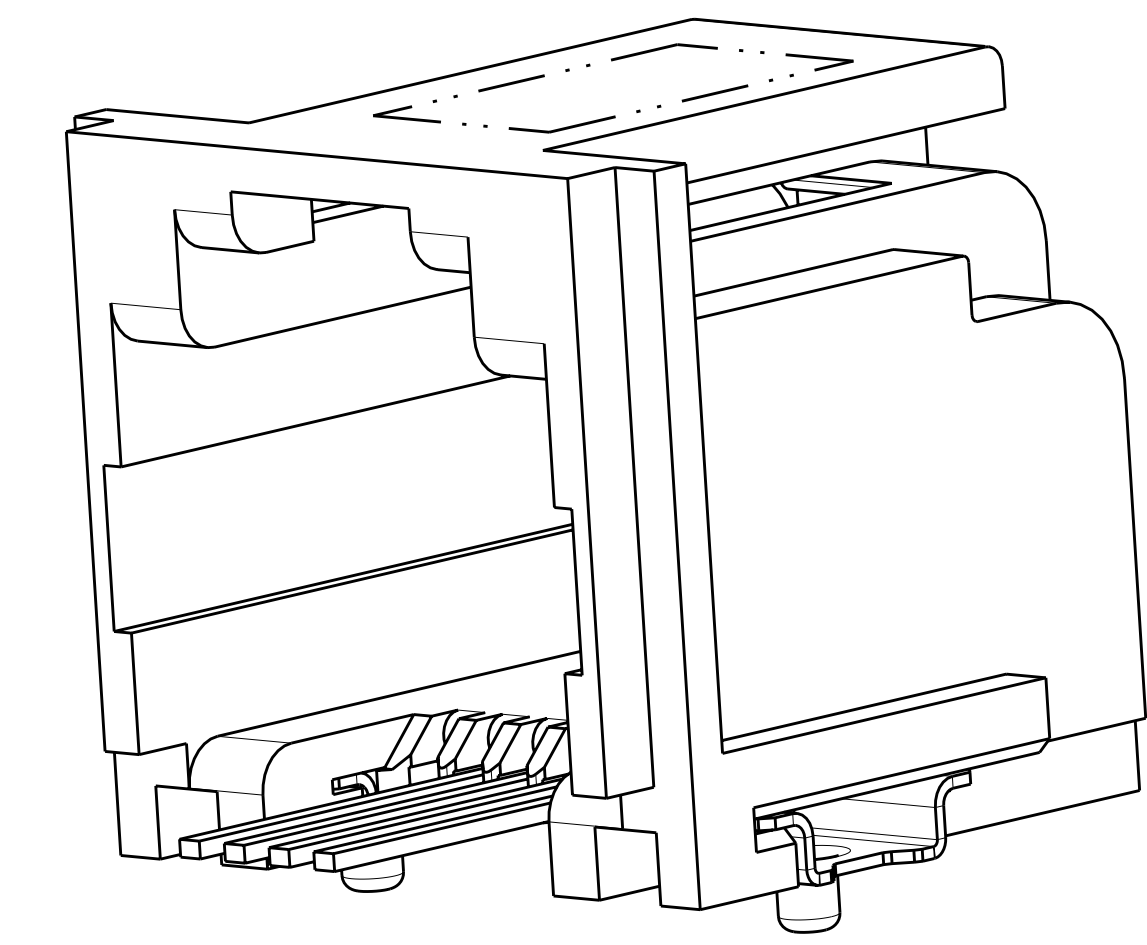
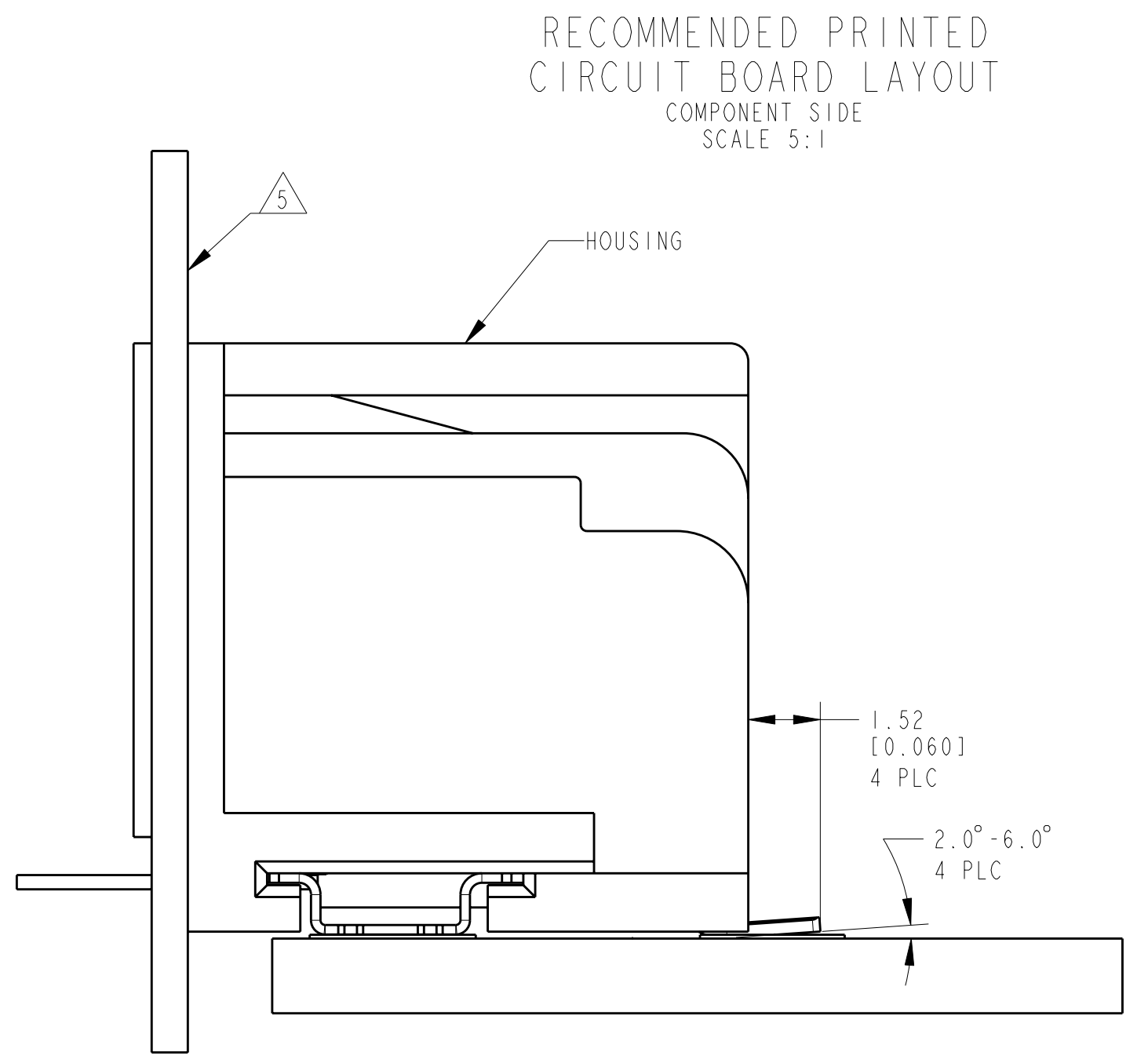
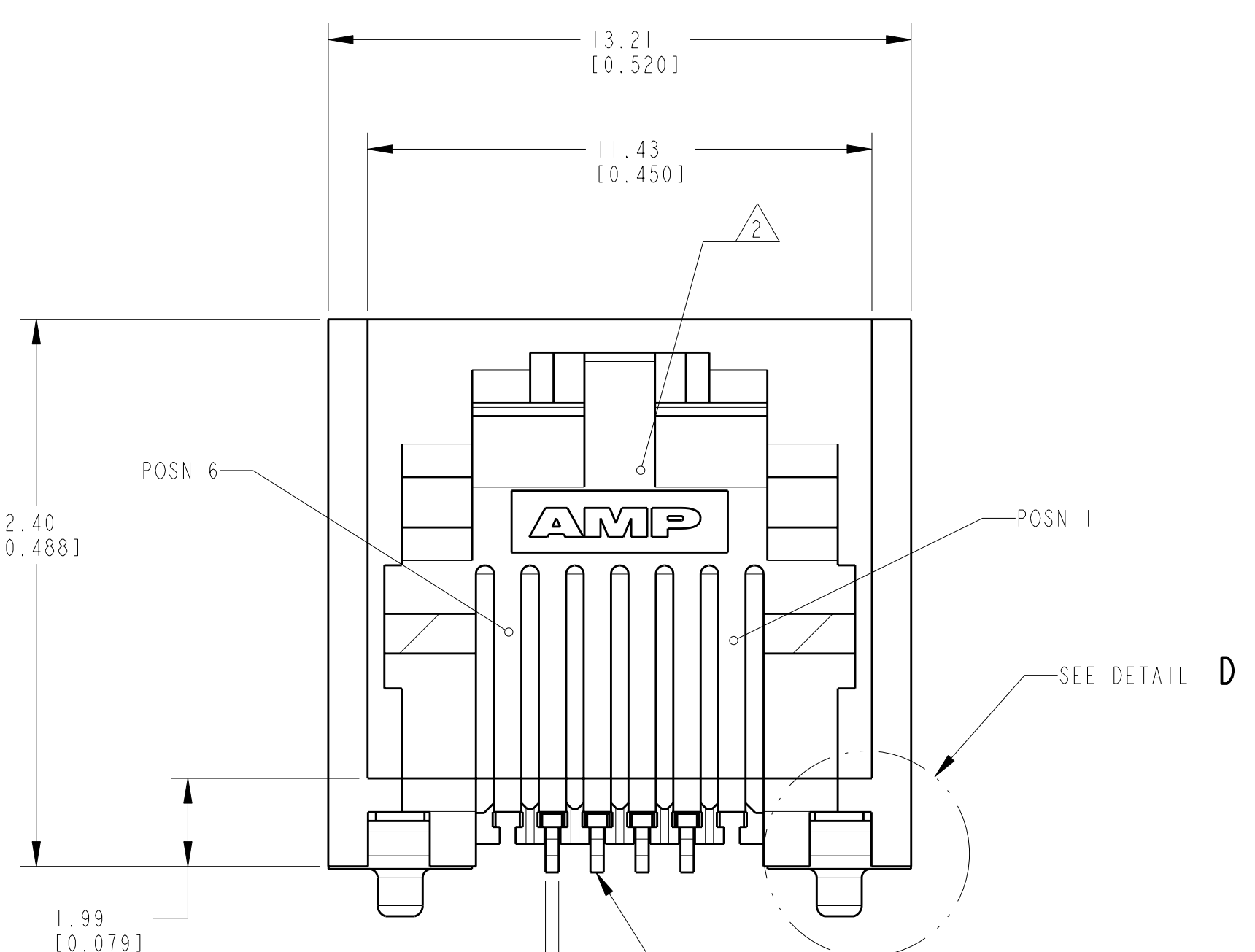


LOC	DIST	REV	DATE	BY	APPD
AA	22				

REV	DESCRIPTION	DATE	BY	APPD
A	REV PER ECOS11-0201-04	29-07-05	GA	SF
B	ECO-06-025366	06-11-06	LAM	JW
C	ECO-07-000895	17-01-07	LAM	JW
C1	ECR-08-013498	31-10-08	AEG	WRV



- △ MATERIAL:
HOUSING - HIGH TEMPERATURE THERMOPLASTIC, COLOR - PER PART NUMBER TABLE.
TERMINALS - 0.31 [0.012] THICK COPPER ALLOY PLATED WITH
(SEE TABLE) MINIMUM GOLD IN LOCALIZED GOLD PLATE AREA,
2.5 μm [0.000100] MINIMUM MATTE TIN ON TERMINATION END, BOTH OVER
1.27 μm [0.00050] MINIMUM NICKEL OVER ENTIRE TERMINAL.
BOARDLOCK - PHOS BRONZE, 1/2 HARD, 3.81 μm [0.000150]
MINIMUM MATTE TIN OVER 1.27 μm [0.00050] MINIMUM NICKEL ON TERMINAL END.
- △ JACK CAVITY CONFORMS TO FCC 47 RULES AND REGULATIONS,
PART 68 SUBPART F.
- △ DATUM ESTABLISHED BY CUSTOMER.
- △ PACKAGING TAPE AND REEL: (PER EIA 481 SPEC)
32mm WIDE TAPE
24mm POCKET PITCH
560mm REEL DIA
600 PIECES PER REEL
- △ CONNECTOR SHOULD BE POSITIONED THROUGH PANEL
CUTOUT AS SHOWN TO SUPPORT TOP OF MODULAR JACK FOR
STRAIN RELIEF
- △ MANUFACTURING DATE CODE LOCATED APPROXIMATELY AS SHOWN.
FIRST 2 DIGITS ARE YEAR, SECOND 2 DIGITS ARE WORK WEEK, AND LAST
DIGIT IS THE DAY OF THE WEEK



OBSOLETE	MIN GOLD THICKNESS	COLOR	PART NUMBER
	0.76 μm [0.00030]	GREEN	1-5406545-4
	0.76 μm [0.00030]	BLACK	1-5406545-3
	0.76 μm [0.00030]	GRAY	1-5406545-1
OBSOLETE	1.27 μm [0.00050]	GREEN	5406545-4
	1.27 μm [0.00050]	BLACK	5406545-3
	1.27 μm [0.00050]	GRAY	5406545-1

DIMENSIONS: mm [INCHES]		TOLERANCES UNLESS OTHERWISE SPECIFIED: 9 PLC ± 1 PLC ±0.13 [0.005] 5 PLC ± 4 PLC ± ANGLES ±		DWN G. ATTADIA 29 JUL 05 CHK J. WESTMAN 29 JUL 05 APVD S. FLICKINGER 29 JUL 05		Tyco Electronics Tyco Electronics Corporation 's-Hertogenbosch, Nederland	
MATERIAL SEE NOTE 1		FINISH SEE NOTE 1		PRODUCT SPEC 108-1689 APPLICATION SPEC 114-6040		NAME MODULAR JACK ASSEMBLY, 1 PORT, 6/4 POSN, SURFACE MOUNT, RIGHT ANGLE, WITH INWARD BOARDLOCKS SIZE CAGE CODE DRAWING NO. RESTRICTED TO A1100779 C=5406545	
CUSTOMER DRAWING				SCALE 8:1		SHEET 1 OF 1 REV. C1	