



Chipsmall Limited consists of a professional team with an average of over 10 year of expertise in the distribution of electronic components. Based in Hongkong, we have already established firm and mutual-benefit business relationships with customers from,Europe,America and south Asia,supplying obsolete and hard-to-find components to meet their specific needs.

With the principle of “Quality Parts,Customers Priority,Honest Operation,and Considerate Service”,our business mainly focus on the distribution of electronic components. Line cards we deal with include Microchip,ALPS,ROHM,Xilinx,Pulse,ON,Everlight and Freescale. Main products comprise IC,Modules,Potentiometer,IC Socket,Relay,Connector.Our parts cover such applications as commercial,industrial, and automotives areas.

We are looking forward to setting up business relationship with you and hope to provide you with the best service and solution. Let us make a better world for our industry!



## Contact us

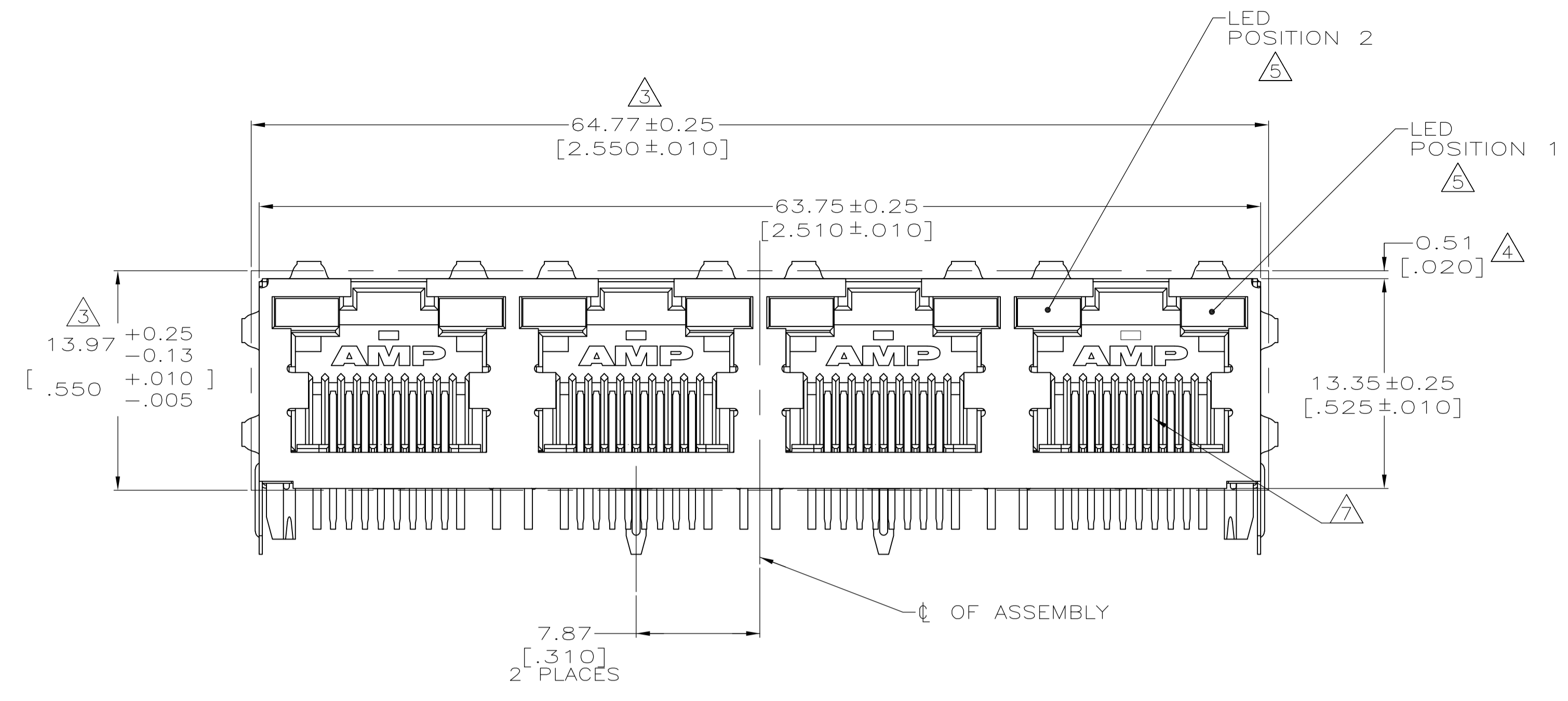
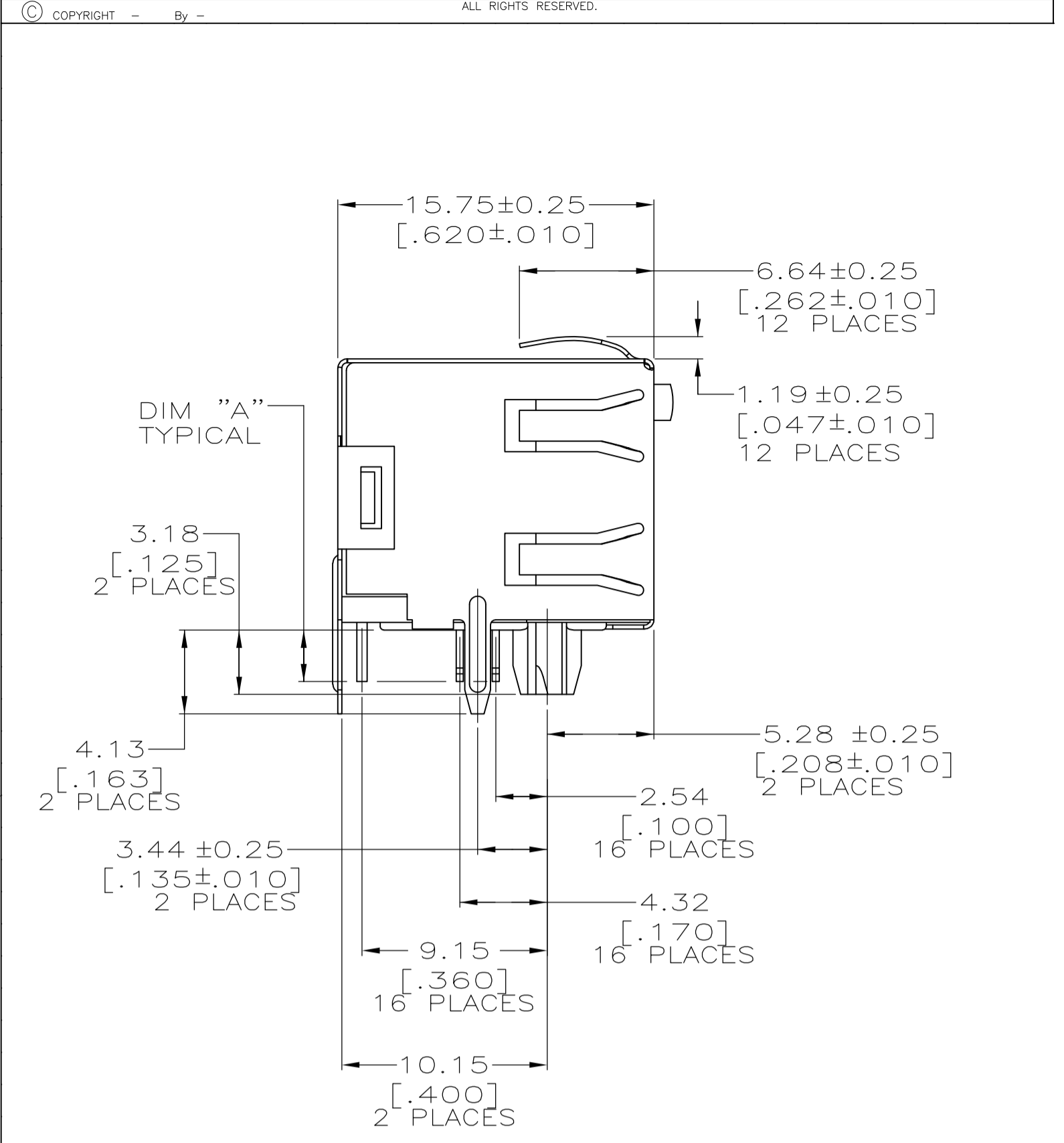
Tel: +86-755-8981 8866 Fax: +86-755-8427 6832

Email & Skype: info@chipsmall.com Web: www.chipsmall.com

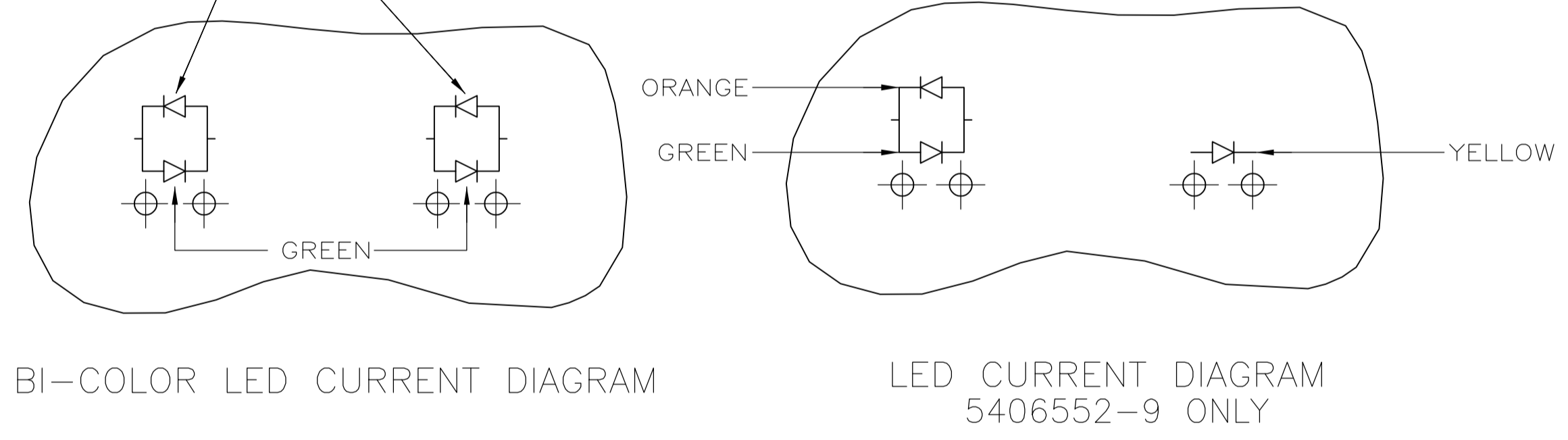
Address: A1208, Overseas Decoration Building, #122 Zhenhua RD., Futian, Shenzhen, China



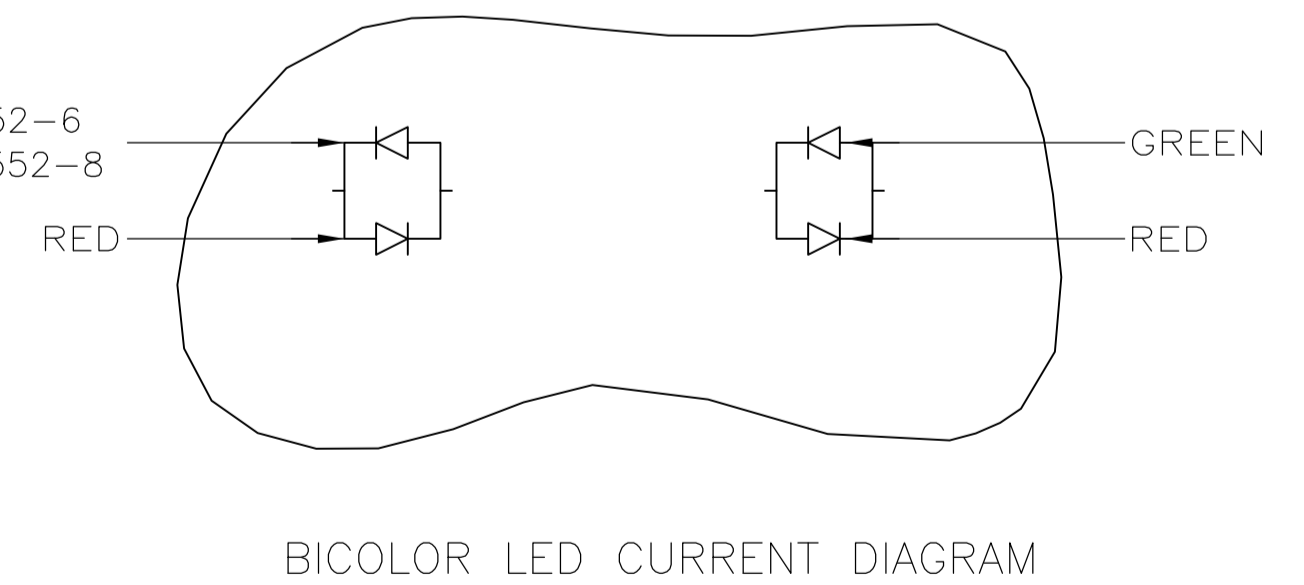
LOC	DIST	REVISIONS					
AA	00	REV	PER	DESCRIPTION	DATE	BY	APPV
F	REV PER ECR-12-009596				26DEC2012	DZ	AC



RED FOR 1-5406552-3  
 YELLOW FOR 5406552-8  
 AND 2-5406552-0  
 ORANGE FOR 5406552-7



GREEN FOR 1-5406552-6  
 YELLOW FOR 1-5406552-8



- MATERIAL:  
 HOUSING - HIGH TEMPERATURE THERMOPLASTIC, BLACK, UL94V-0.  
 TERMINALS - 0.36[.014] THICK PHOS BRONZE PLATED WITH 3.81µm[.000150] MINIMUM THICK MATTE TIN IN SOLDER AREA. 1.27µm[.000050] MINIMUM GOLD IN LOCALIZED PLATE AREA. ENTIRE TERMINAL PLATED WITH 1.27µm[.000050] MINIMUM THICK NICKEL.  
 SHIELD - 0.196[.0077] THICK COPPER ZINC ALLOY PREPLATED WITH 1.27µm[.000050] MINIMUM SATIN NICKEL WITH 2.03µm[.000080] MINIMUM TIN POST DIPPED ON PCB GROUND TABS.  
 LIGHT EMITTING DIODE (LED) - DIFFUSED EPOXY LENS, 0.51 x 0.51[.020 x .020] CARBON STEEL WIREFRAME LEADS PREPLATED WITH 8.89 µm THICK Sn/Cu OVER 2.03 µm THICK Ag OVER 1.02 µm THICK Cu OVER 3.56 µm THICK Ni OVER 1.02 µm THICK Cu UNDERPLATE
- JACK CAVITY CONFORMS TO FCC RULES AND REGULATIONS PART 68, SUBPART F.
- SUGGESTED PANEL OPENING DIMENSIONS.
- SUGGESTED CLEARANCE BETWEEN TOP OF CONNECTOR AND TOP PANEL OPENING.
- SEE TABLE FOR COLOR OF LEDS AND NUMBER REQUIRED.
- THIS MODULAR JACK WITH INTEGRATED LED IS NOT IR REFLOW SOLDERING PROCESS COMPATIBLE.
- CONTACT AREA LUBRICATED WITH BELLCORE APPROVED LUBRICANT. TECHNICAL REFERENCE GR-1217-CORE, ISSUE 1. NOVEMBER 1995. ONLY FOR 1-5406552-7
- THE PART IS PRELIMINARY
- OBsolete PARTS: OBSOLETE CIS STREAMLINING PER D.RENAUD/D.SINISI

INDICATOR COLOR FOR EACH HOUSING	POSITION 2	POSITION 1	PART NUMBER
.132	GREEN/YELLOW	GREEN/YELLOW	2-5406552-0
.146	RED/GREEN	RED/GREEN	1-5406552-9
.100	RED/YELLOW	RED/GREEN	1-5406552-8
.100	GREEN	-	1-5406552-7
.126	RED/GREEN	RED/GREEN	1-5406552-6
.100	SEE VIEW A (SHEET 2)	SEE VIEW A (SHEET 2)	1-5406552-5
.100	RED	GREEN	1-5406552-4
.100	GREEN/RED	GREEN/RED	1-5406552-3
.120	GREEN	GREEN	1-5406552-1
.100	GREEN/ORANGE	YELLOW	5406552-9
.100	GREEN/YELLOW	GREEN/YELLOW	5406552-8
.100	GREEN/ORANGE	GREEN/ORANGE	5406552-7
OBsolete	.100	YELLOW	5406552-6
.100	GREEN	GREEN	5406552-5
OBsolete	.100	YELLOW	5406552-4
.100	-	GREEN	5406552-2
.100	YELLOW	GREEN	5406552-1

THIS DRAWING IS A CONTROLLED DOCUMENT.

DIMENSIONS: mm

TOLERANCES UNLESS OTHERWISE SPECIFIED:

0 PL	±	-
1 PL	±	-
2 PL	±	0.25(.01)
3 PL	±	0.13(.005)
4 PL	±	-
ANGLES	±	-

MATERIAL: SEE NOTE 1

FINISH: SEE NOTE 1

WEIGHT: -

CUSTOMER DRAWING

DIN: T. SPRINKLE / L.A. MAYER 10MAY2005

CHK: J. WESTMAN 10MAY2005

APVD: S. FLICKINGER 10MAY2005

NAME: INVERTED MODULAR JACK ASSEMBLY, 1X4, SHIELDED, PANEL GROUND, WITH LED

PRODUCT SPEC: 108-1163-4

APPLICATION SPEC: 114-2154

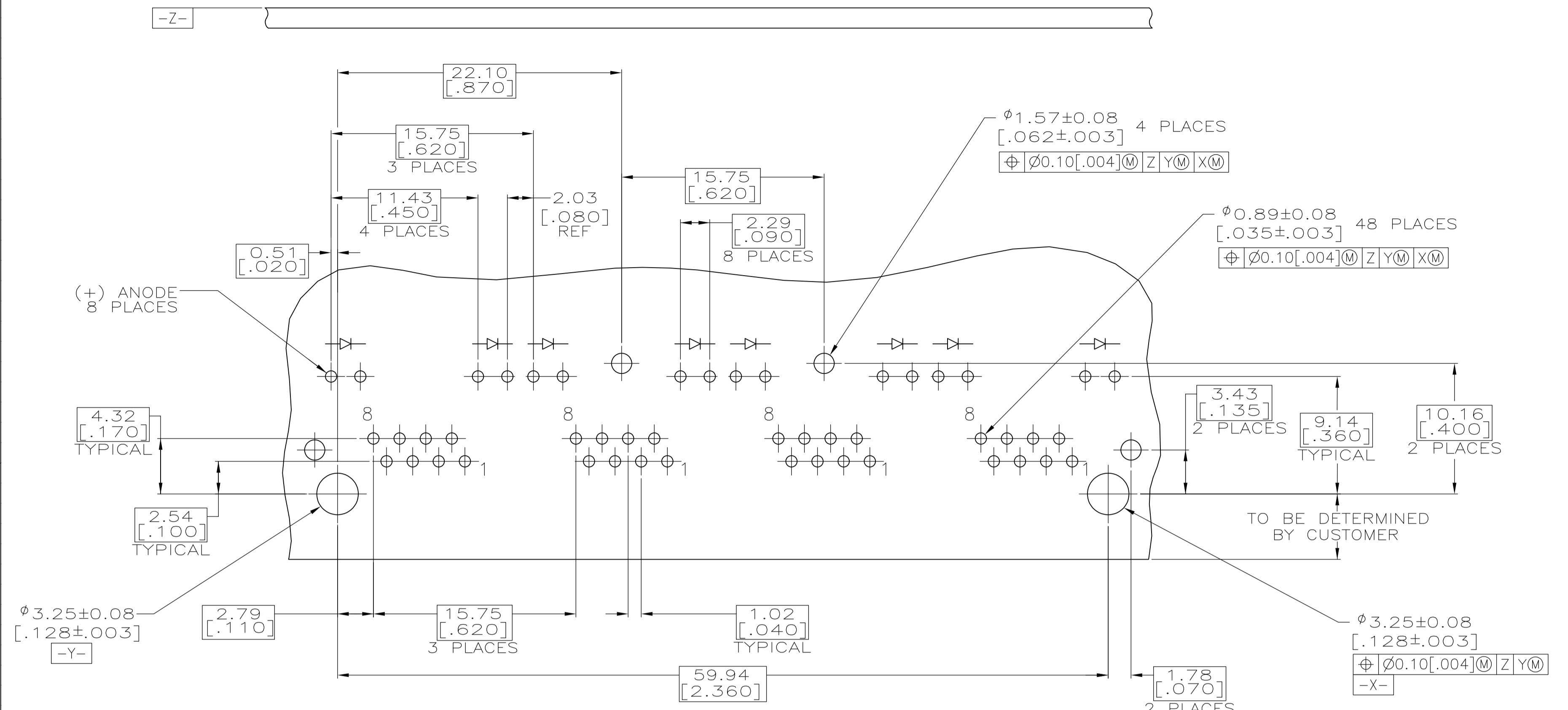
SIZE: A1

SCALE: 4:1

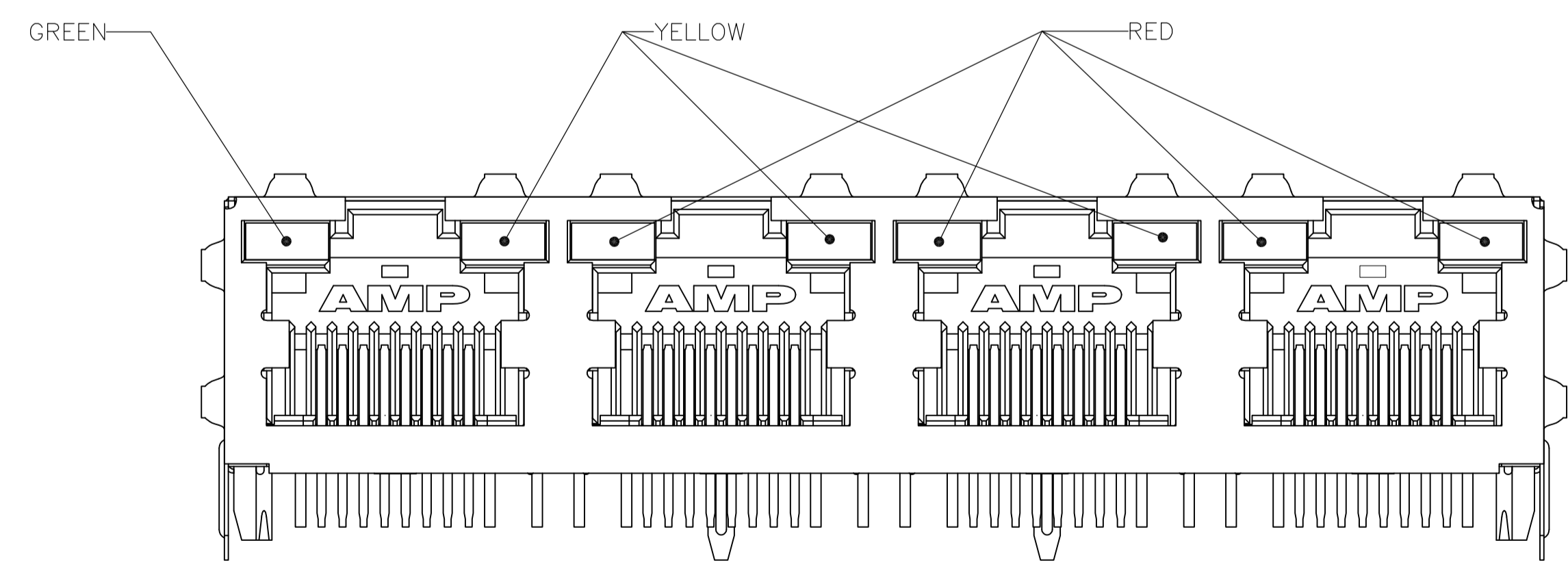
SHEET: 1 OF 2

REV: F

STE TE Connectivity



SUGGESTED PRINTED CIRCUIT BOARD LAYOUT  
(COMPONENT SIDE)



VIEW A  
(1-5406552-5 ONLY)

THIS DRAWING IS A CONTROLLED DOCUMENT.		DIN T. SPRINKLE/L.A. MAYER 10MAY2005		TE Connectivity	
DIMENSIONS: mm		CHK J. WESTMAN 10MAY2005			
TOLERANCES UNLESS OTHERWISE SPECIFIED:		APVD S. FLICKINGER 10MAY2005		NAME	
0. PLC ± -		PRODUCT SPEC		INVERTED MODULAR JACK ASSEMBLY, 1X4, SHIELDED, PANEL GROUND, WITH LED	
1. PLC ± -		APPLICATION SPEC		108-1163-4	
2. PLC ± 0.25(.01)		SIZE		A1	
3. PLC ± 0.13(.005)		CAGE CODE		00779	
4. PLC ± -		DRAWING NO		5406552	
ANGLES ± -		RESTRICTED TO		-	
MATERIAL SEE NOTE 1		FINISH SEE NOTE 1		WEIGHT -	
		CUSTOMER DRAWING		SCALE 4:1 SHEET 2 OF 2 REV F	