



Chipsmall Limited consists of a professional team with an average of over 10 year of expertise in the distribution of electronic components. Based in Hongkong, we have already established firm and mutual-benefit business relationships with customers from,Europe,America and south Asia,supplying obsolete and hard-to-find components to meet their specific needs.

With the principle of “Quality Parts,Customers Priority,Honest Operation,and Considerate Service”,our business mainly focus on the distribution of electronic components. Line cards we deal with include Microchip,ALPS,ROHM,Xilinx,Pulse,ON,Everlight and Freescale. Main products comprise IC,Modules,Potentiometer,IC Socket,Relay,Connector.Our parts cover such applications as commercial,industrial, and automotives areas.

We are looking forward to setting up business relationship with you and hope to provide you with the best service and solution. Let us make a better world for our industry!



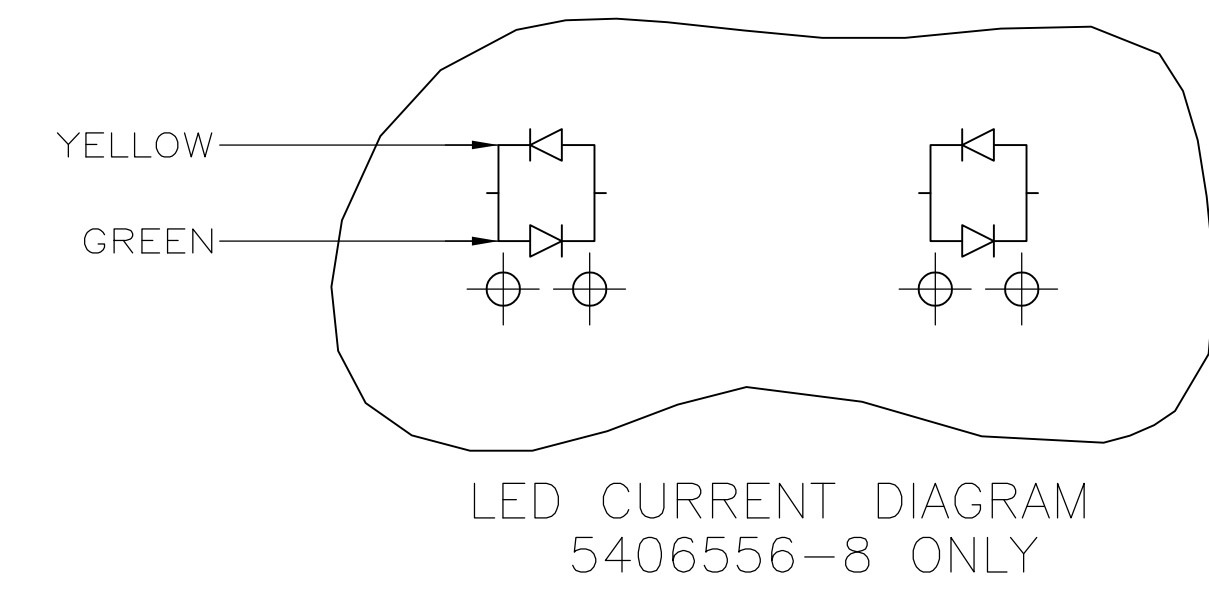
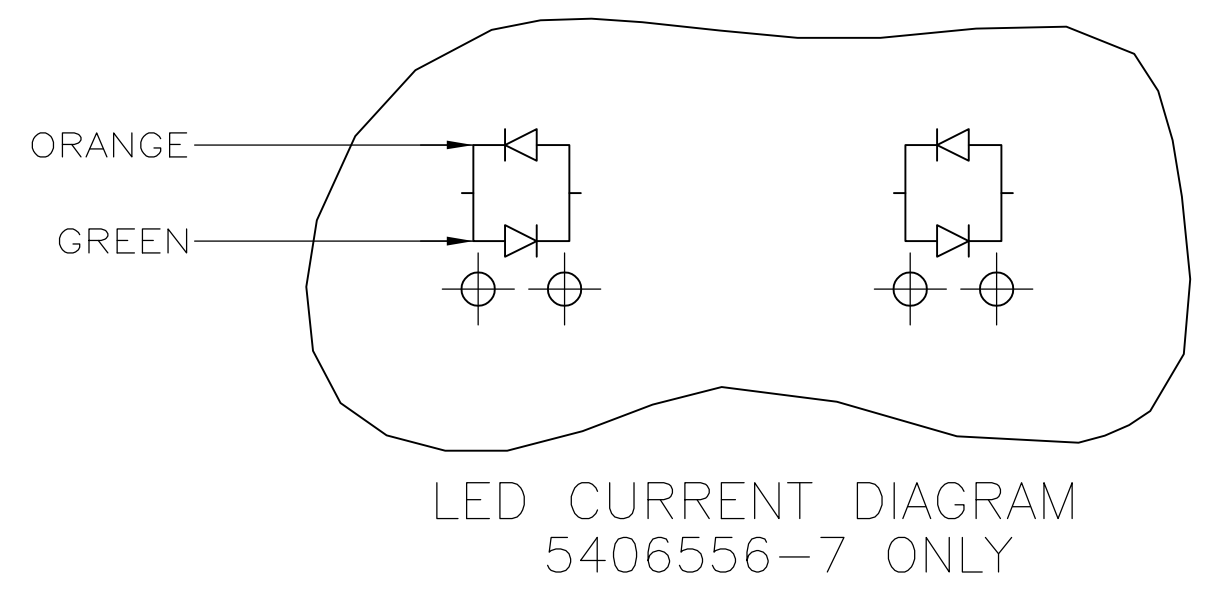
## Contact us

Tel: +86-755-8981 8866 Fax: +86-755-8427 6832

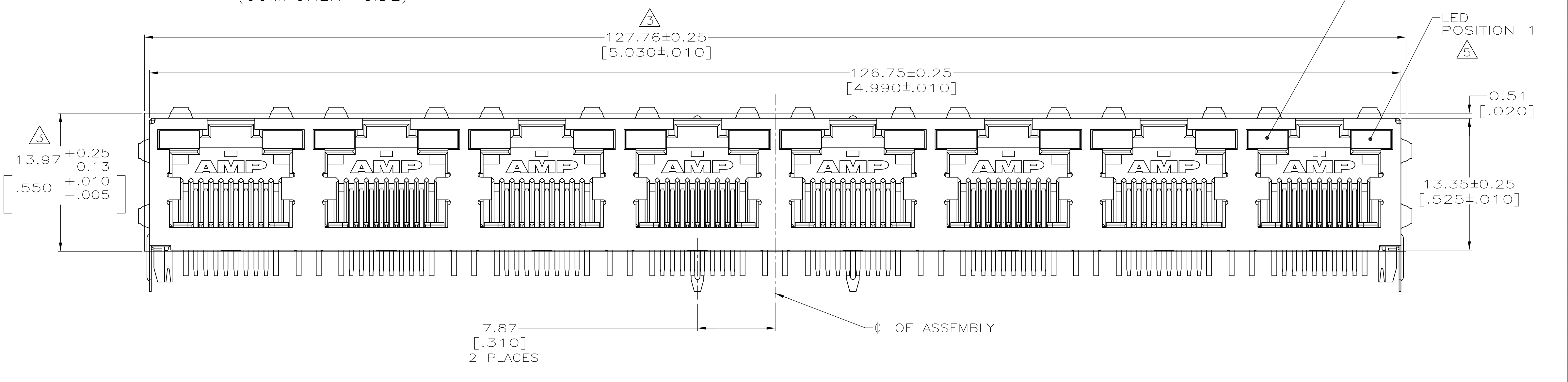
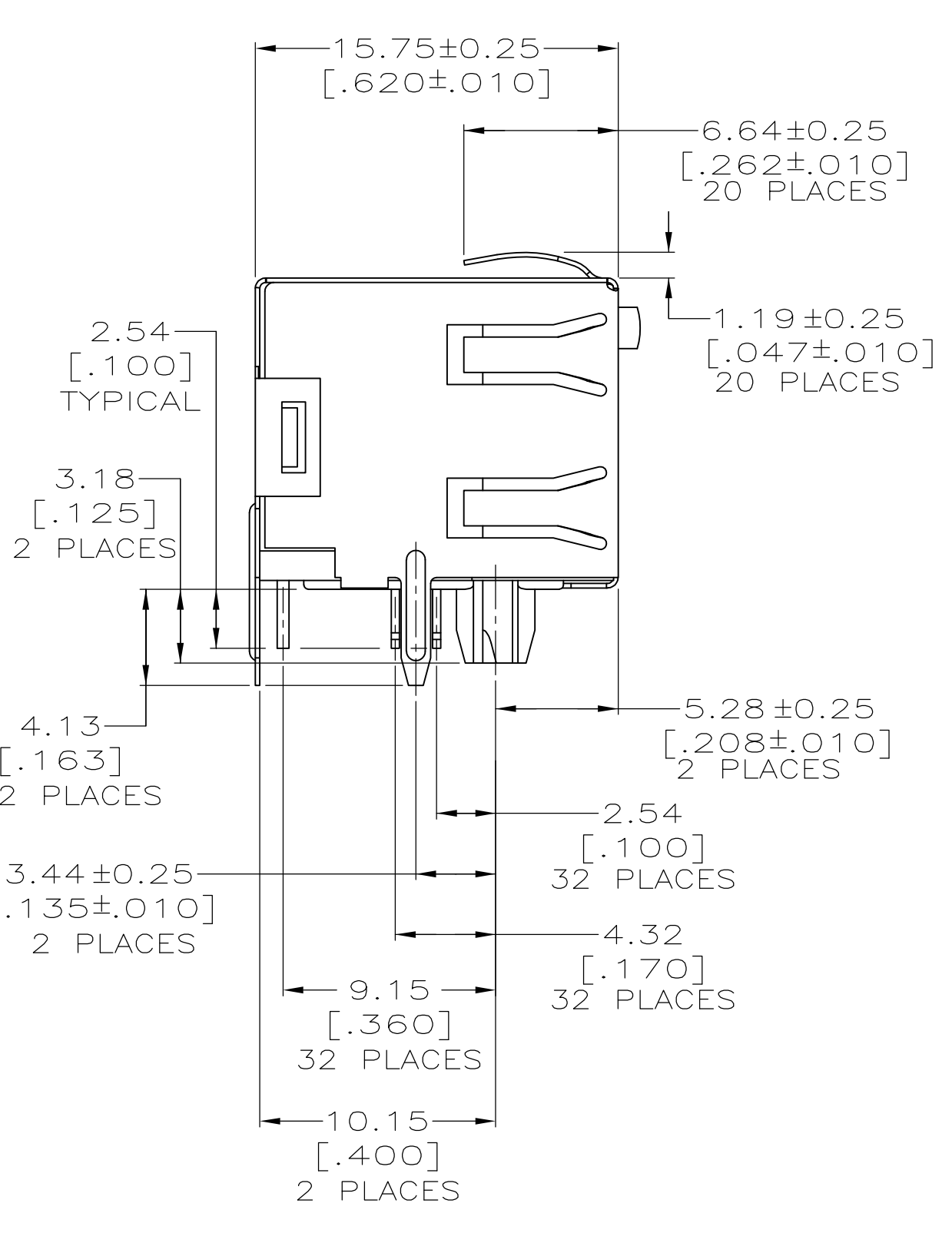
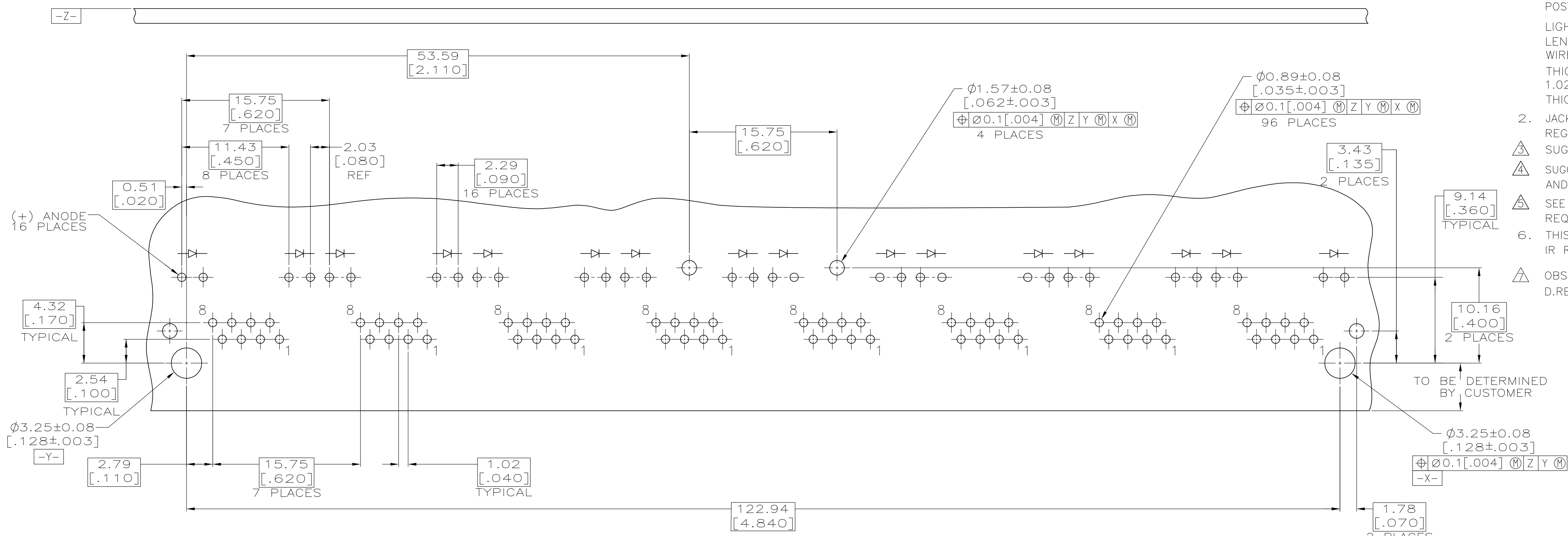
Email & Skype: info@chipsmall.com Web: www.chipsmall.com

Address: A1208, Overseas Decoration Building, #122 Zhenhua RD., Futian, Shenzhen, China





- MATERIAL:**
- HOUSING - HIGH TEMPERATURE THERMOPLASTIC, BLACK, UL94V-0.
  - TERMINALS - 0.36[.014] THICK PHOS BRONZE PLATED WITH 3.81μm[.000150] MINIMUM THICK MATTE TIN IN SOLDER AREA. 1.27μm [0.00050] MINIMUM GOLD IN LOCALIZED PLATE AREA. ENTIRE TERMINAL PLATED WITH 1.27μm [0.00050] MINIMUM THICK NICKEL.
  - SHIELD - 0.196[.0077] THICK COPPER ZINC ALLOY PREPLATED WITH 1.27μm[0.00050] MINIMUM SATIN NICKEL WITH 2.03μm[0.00080] MINIMUM TIN POST DIPPED ON PCB GROUND TABS.
  - LIGHT EMITTING DIODE (LED) - DIFFUSED EPOXY LENS, 0.51 x 0.51[.020 x .020] CARBON STEEL WIREFRAME LEADS PREPLATED WITH 8.89μm[.0003500] THICK Sn/Cu OVER 2.03 μm[.000080] THICK Ag OVER 1.02μm[.000040] THICK Cu OVER 3.56 μm[.000140] THICK Ni OVER 1.02μm[.000080] Cu UNDERPLATE
- JACK CAVITY CONFORMS TO FCC RULES AND REGULATIONS PART 68, SUBPART F.
- SUGGESTED PANEL OPENING DIMENSIONS.**
- SUGGESTED CLEARANCE BETWEEN TOP OF CONNECTOR AND TOP PANEL OPENING.**
- SEE TABLE FOR COLOR OF LEDS AND NUMBER REQUIRED.**
- THIS MODULAR JACK WITH INTEGRATED LED IS NOT IR REFLOW SOLDERING PROCESS COMPATIBLE.
- OBSOLETE PARTS: OBSOLETE CIS STREAMLINING PER D.RENAUD/D.SINISI**



|          |                                  |              |             |
|----------|----------------------------------|--------------|-------------|
| OBSOLETE | GREEN/YELLOW                     | GREEN/YELLOW | -5406556-8- |
|          | GREEN/ORANGE                     | GREEN/ORANGE | -5406556-7- |
| OBSOLETE | YELLOW                           | YELLOW       | -5406556-6- |
|          | GREEN                            | YELLOW       | -5406556-4- |
|          | YELLOW                           | -            | -5406556-3- |
|          | -                                | GREEN        | -5406556-2- |
|          | YELLOW                           | GREEN        | 5406556-1   |
|          | POSITION 2                       | POSITION 1   | PART NUMBER |
|          | INDICATOR COLOR FOR EACH HOUSING |              |             |

THIS DRAWING IS A CONTROLLED DOCUMENT.

DIMENSIONS: mm[inches]

TOLERANCES UNLESS OTHERWISE SPECIFIED:

|        |   |            |
|--------|---|------------|
| 0. PLC | ± | -          |
| 1. PLC | ± | 0.25[.01]  |
| 2. PLC | ± | 0.13[.005] |
| 3. PLC | ± | 0.13[.005] |
| 4. PLC | ± | 0.13[.005] |
| ANGLES | ± | -          |

MATERIAL: **△** FINISH: **△**

|                  |                           |                                                                               |
|------------------|---------------------------|-------------------------------------------------------------------------------|
| DIN              | J. ALCORTA - 16JUN2005    | Tyco Electronics<br>Tyco Electronics Corporation<br>Harrisburg, PA 17105-3608 |
| CHK              | J. WESTMAN - 16JUN2005    |                                                                               |
| APVD             | S. FLICKINGER - 16JUN2005 | INVERTED MODULAR JACK ASSEMBLY,<br>1X8, SHIELDED,<br>PANEL GROUND, LED        |
| NAME             |                           |                                                                               |
| PRODUCT SPEC     | 108-1163-4                | SIZE: 114-2154<br>SCALE: 4:1 SHEET 1 of 1 REV A1                              |
| APPLICATION SPEC |                           |                                                                               |
| WEIGHT           | -                         | CUSTOMER DRAWING                                                              |
|                  |                           |                                                                               |