



Chipsmall Limited consists of a professional team with an average of over 10 year of expertise in the distribution of electronic components. Based in Hongkong, we have already established firm and mutual-benefit business relationships with customers from,Europe,America and south Asia,supplying obsolete and hard-to-find components to meet their specific needs.

With the principle of "Quality Parts,Customers Priority,Honest Operation,and Considerate Service",our business mainly focus on the distribution of electronic components. Line cards we deal with include Microchip,ALPS,ROHM,Xilinx,Pulse,ON,Everlight and Freescale. Main products comprise IC,Modules,Potentiometer,IC Socket,Relay,Connector.Our parts cover such applications as commercial,industrial, and automotives areas.

We are looking forward to setting up business relationship with you and hope to provide you with the best service and solution. Let us make a better world for our industry!



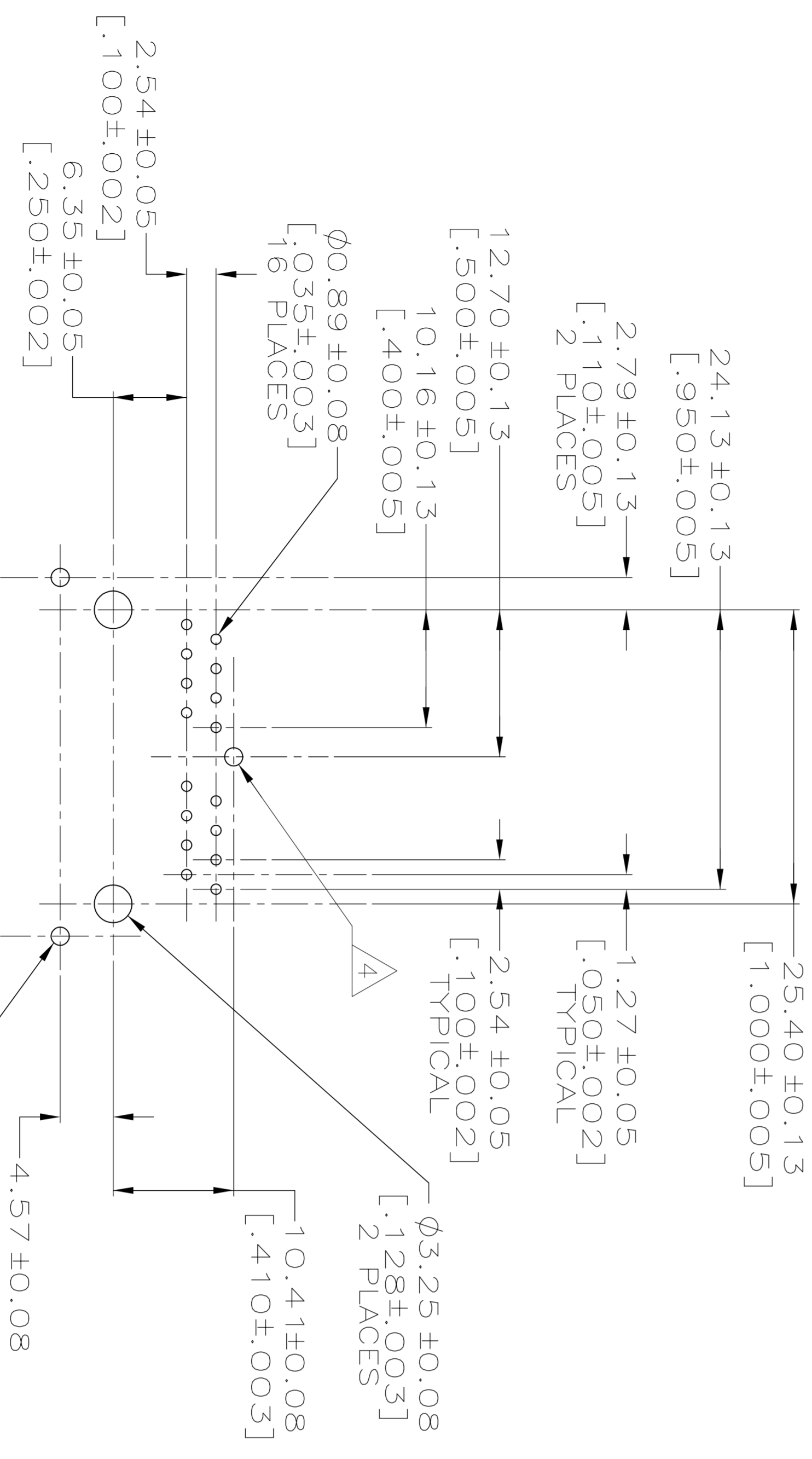
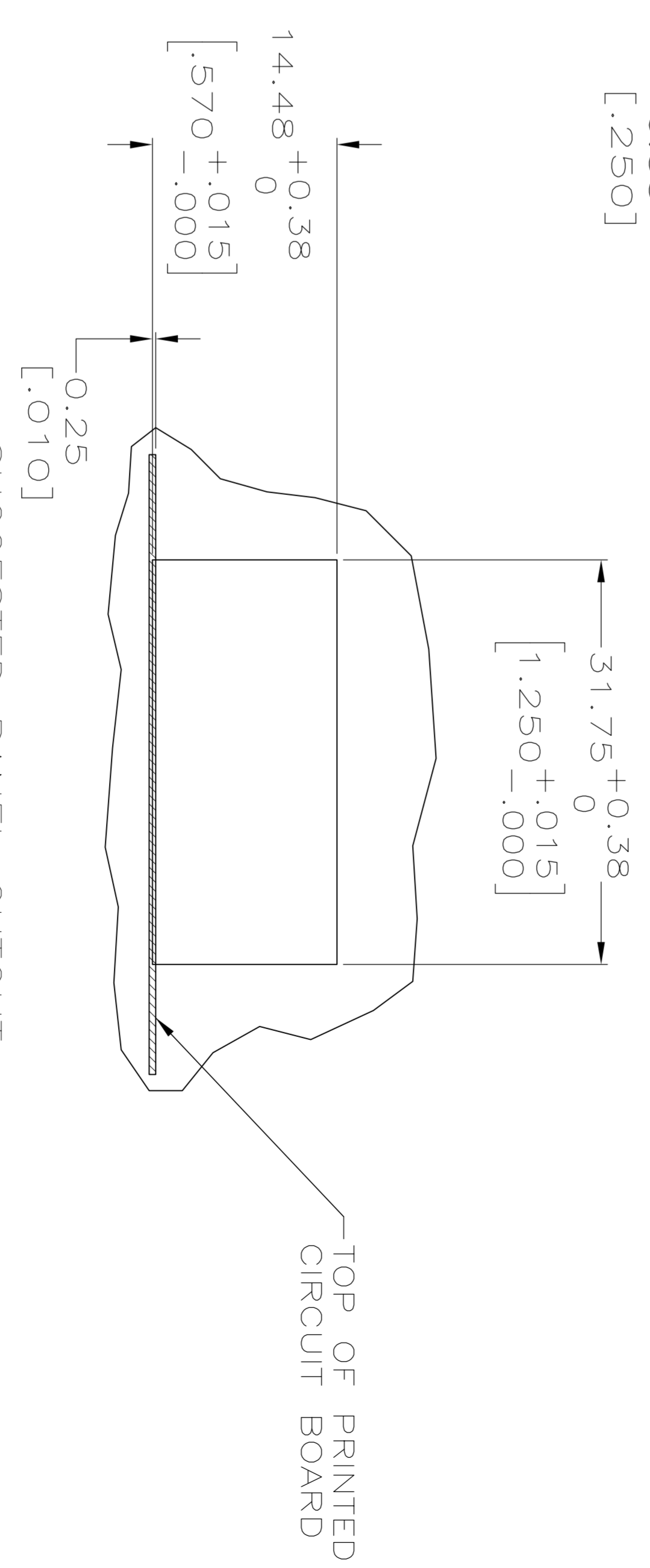
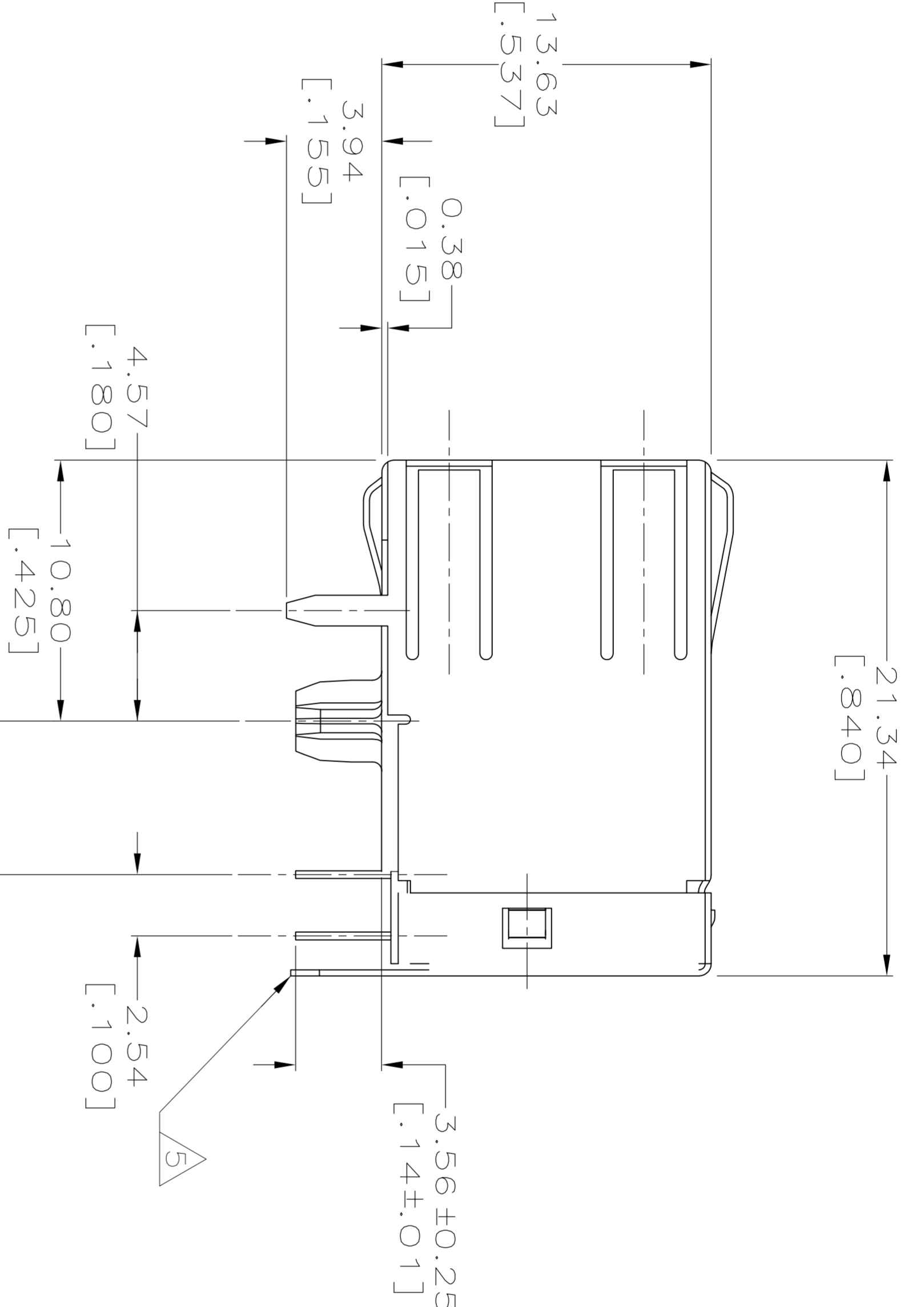
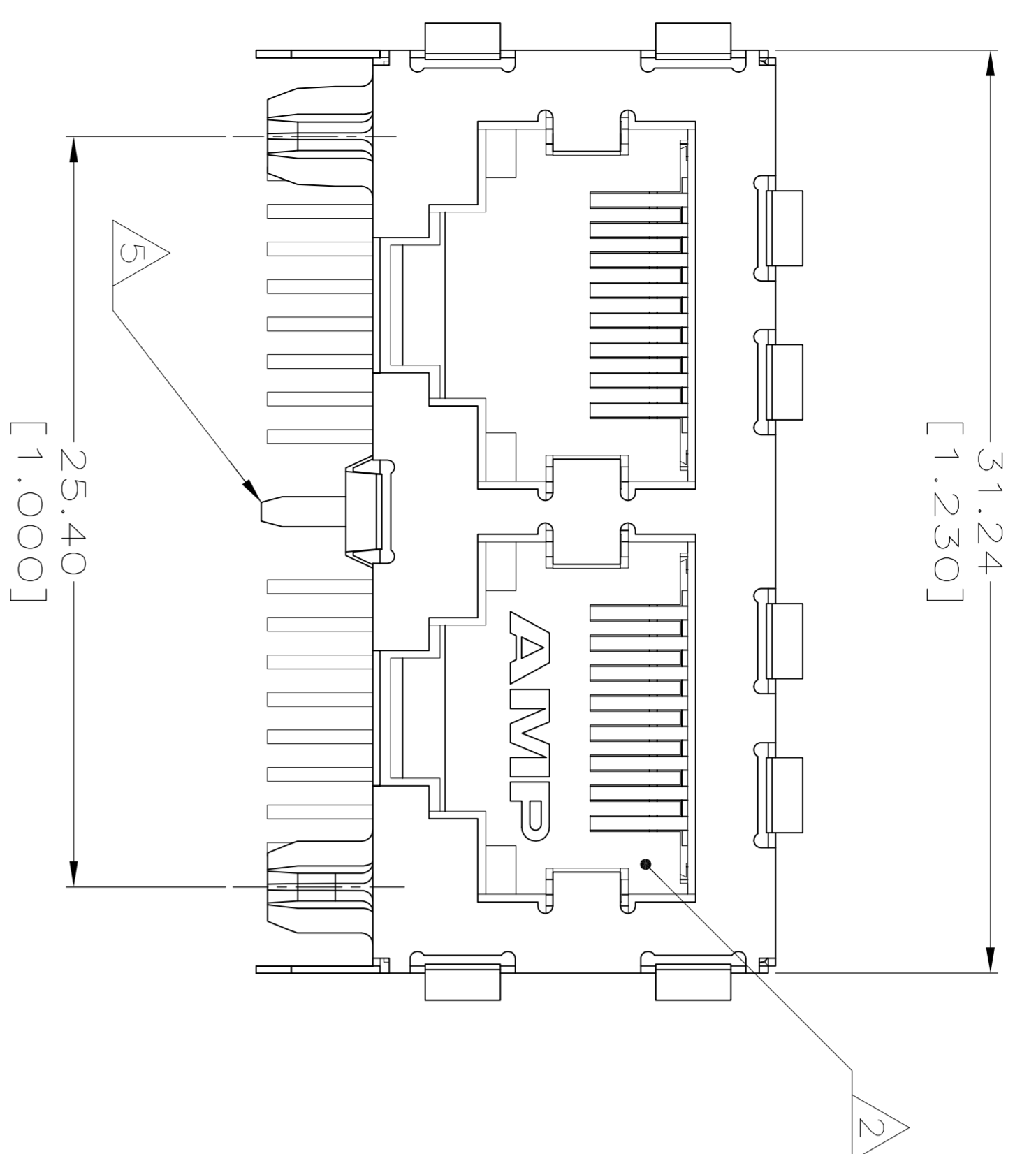
## Contact us

Tel: +86-755-8981 8866 Fax: +86-755-8427 6832

Email & Skype: info@chipsmall.com Web: www.chipsmall.com

Address: A1208, Overseas Decoration Building, #122 Zhenhua RD., Futian, Shenzhen, China





SUGGESTED PC BOARD LAYOUT  
 COMPONENT SIDE  
 SCALE 2:1

LOC	DIST	REV	DESCRIPTION	DATE	BY	APP'D
AA	22	P	TR			
B		REV PER	ECR-08-032447	18FEB2009	DZ	SY

1 MATERIAL: HOUSING - HIGH TEMPERATURE NYLON, BLACK, IR COMPATIBLE, UL 94V-0.  
 TERMINALS - 0.33 [0.013] THICK PHOS BRONZE PLATED WITH 1.27 μm [0.00050] THICK HARD GOLD IN LOCALIZED AREA AND 3.81 μm [0.00150] THICK MATTE TIN IN SOLDER AREA OVER 1.27 μm [0.00050] THICK NICKEL UNDERPLATE.  
 SHIELD - 0.254 [0.010] THICK COPPER ALLOY PLATED WITH 1.27 μm [0.00050] MINIMUM NICKEL AND 2.03 μm [0.00080] MINIMUM HOT TIN DIP ON PCB GROUND TABS.

2 JACK CAVITY CONFORMS TO FCC RULES AND REGULATIONS, PART 68 SUBPART F.  
 3. ALL DIMENSIONS SHOWN ARE NOMINAL UNLESS OTHERWISE SPECIFIED.

4 THIS HOLE REQUIRED FOR -2 ONLY.  
 5 REAR GROUND TAB NOT REQUIRED FOR -1.

DESCRIPTION	PART NO.
WITH REAR PCB GROUND TAB	5406562-2
WITHOUT REAR PCB GROUND TAB	5406562-1

THIS DRAWING IS A CONTROLLED DOCUMENT.	
DIMENSIONS: mm[inches]	TOLERANCES, UNLESS OTHERWISE SPECIFIED:
0 Plc	± -
1 Plc	± -
2 Plc	± 0.25[0.01]
3 Plc	± 0.15[0.005]
ANGLES	± -
MATERIAL	FINISH
Δ	Δ
CUSTOMER DRAWING	
SIZE	CAGE CODE
A2	00779
SCALE	5406562
4:1	
SHEET	1
REV	B

OWN: 16JUN2005  
 J. ALCORTA - DOCK3  
 CHK: WESTMAN 16JUN2005  
 DESIGNED BY: J. ALICKINGER 16JUN2005  
 PRODUCT SPEC: 108-1163  
 APPLICATION SPEC: 114-2048  
 WEIGHT: -

**Tyco Electronics**  
 Tyco Electronics Corporation  
 Harrisburg, PA 17105-3608

MODULAR JACK ASSEMBLY,  
 2 PORT, 8 POSITION,  
 RIGHT ANGLE, SHIELDED, CAT 4