



Chipsmall Limited consists of a professional team with an average of over 10 year of expertise in the distribution of electronic components. Based in Hongkong, we have already established firm and mutual-benefit business relationships with customers from,Europe,America and south Asia,supplying obsolete and hard-to-find components to meet their specific needs.

With the principle of “Quality Parts,Customers Priority,Honest Operation,and Considerate Service”,our business mainly focus on the distribution of electronic components. Line cards we deal with include Microchip,ALPS,ROHM,Xilinx,Pulse,ON,Everlight and Freescale. Main products comprise IC,Modules,Potentiometer,IC Socket,Relay,Connector.Our parts cover such applications as commercial,industrial, and automotives areas.

We are looking forward to setting up business relationship with you and hope to provide you with the best service and solution. Let us make a better world for our industry!



## Contact us

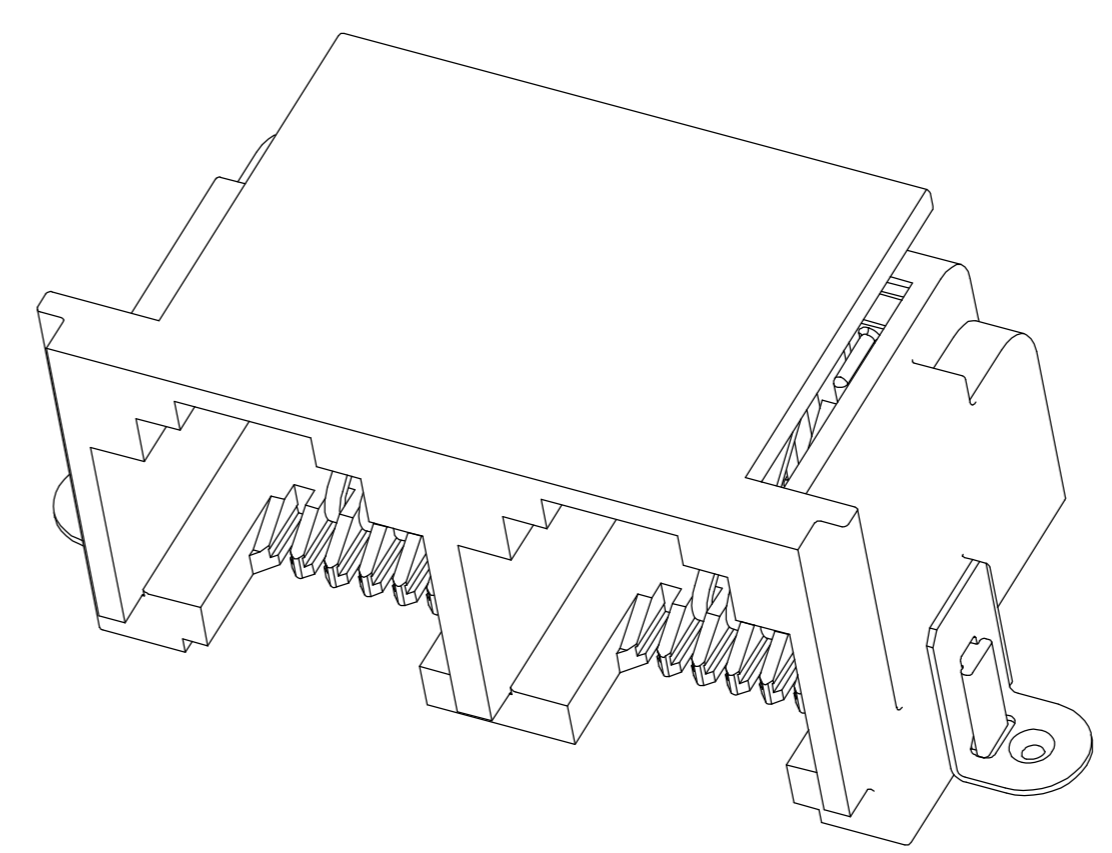
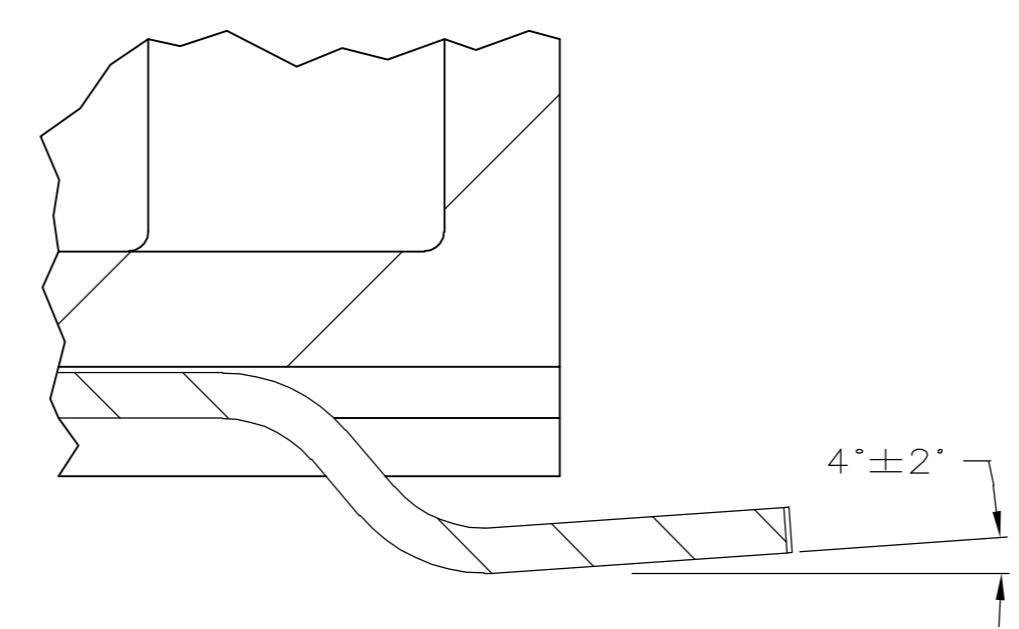
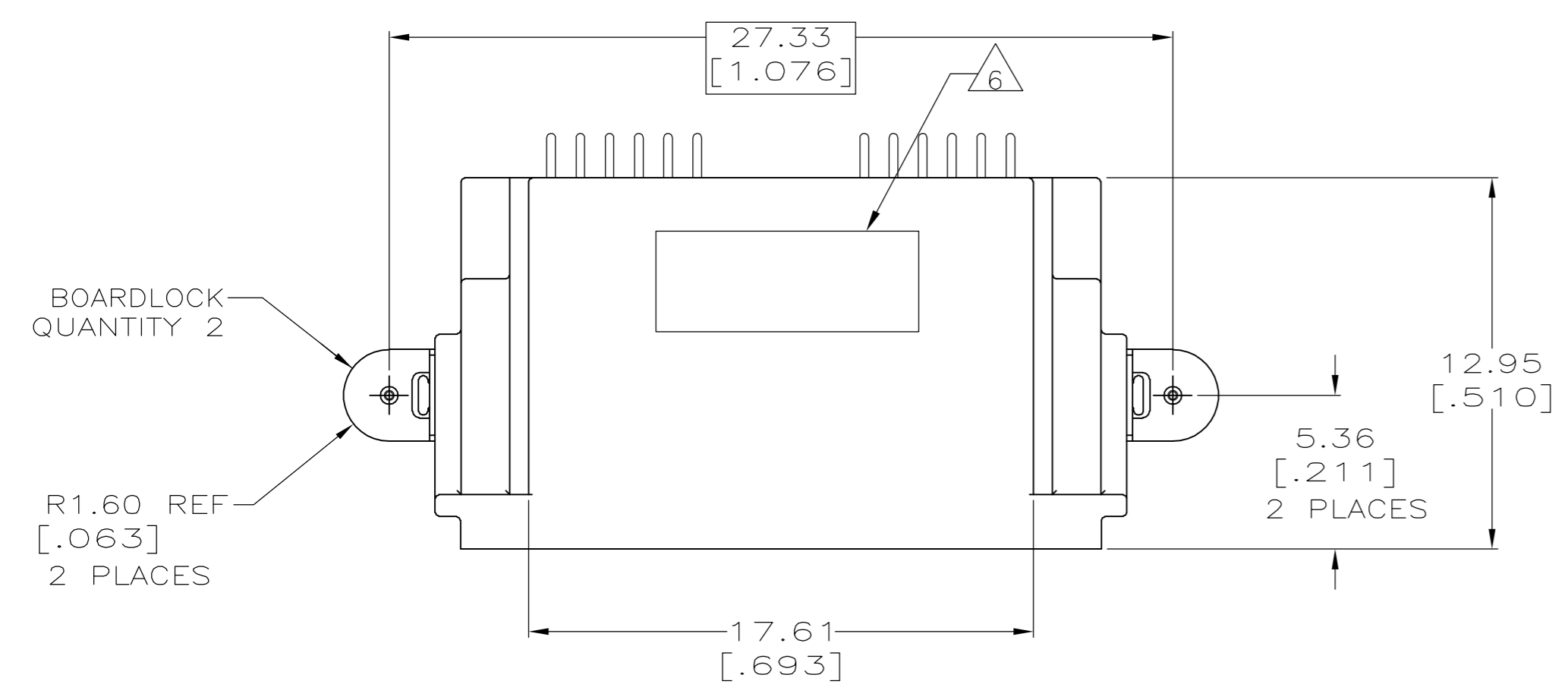
Tel: +86-755-8981 8866 Fax: +86-755-8427 6832

Email & Skype: info@chipsmall.com Web: www.chipsmall.com

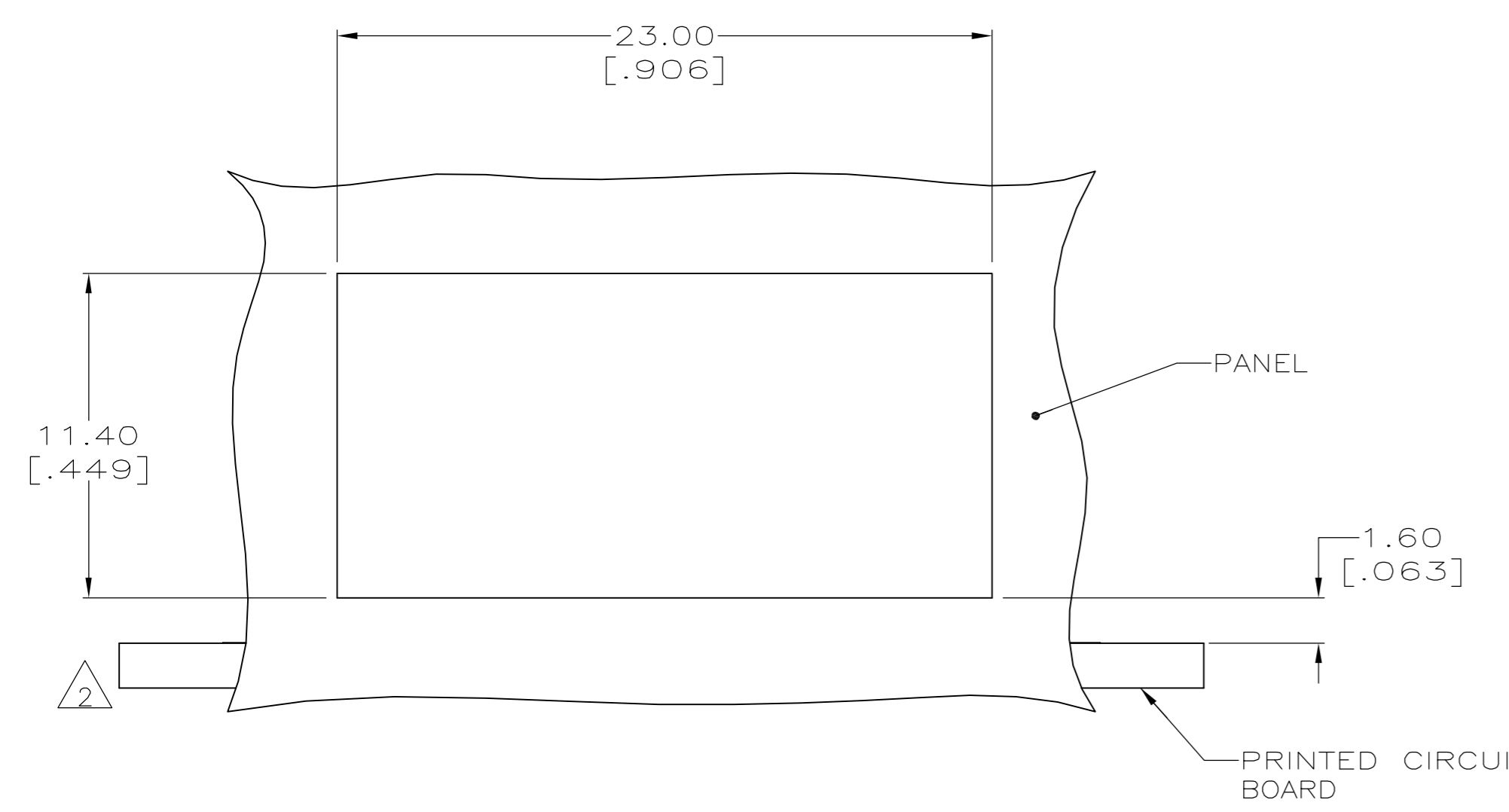
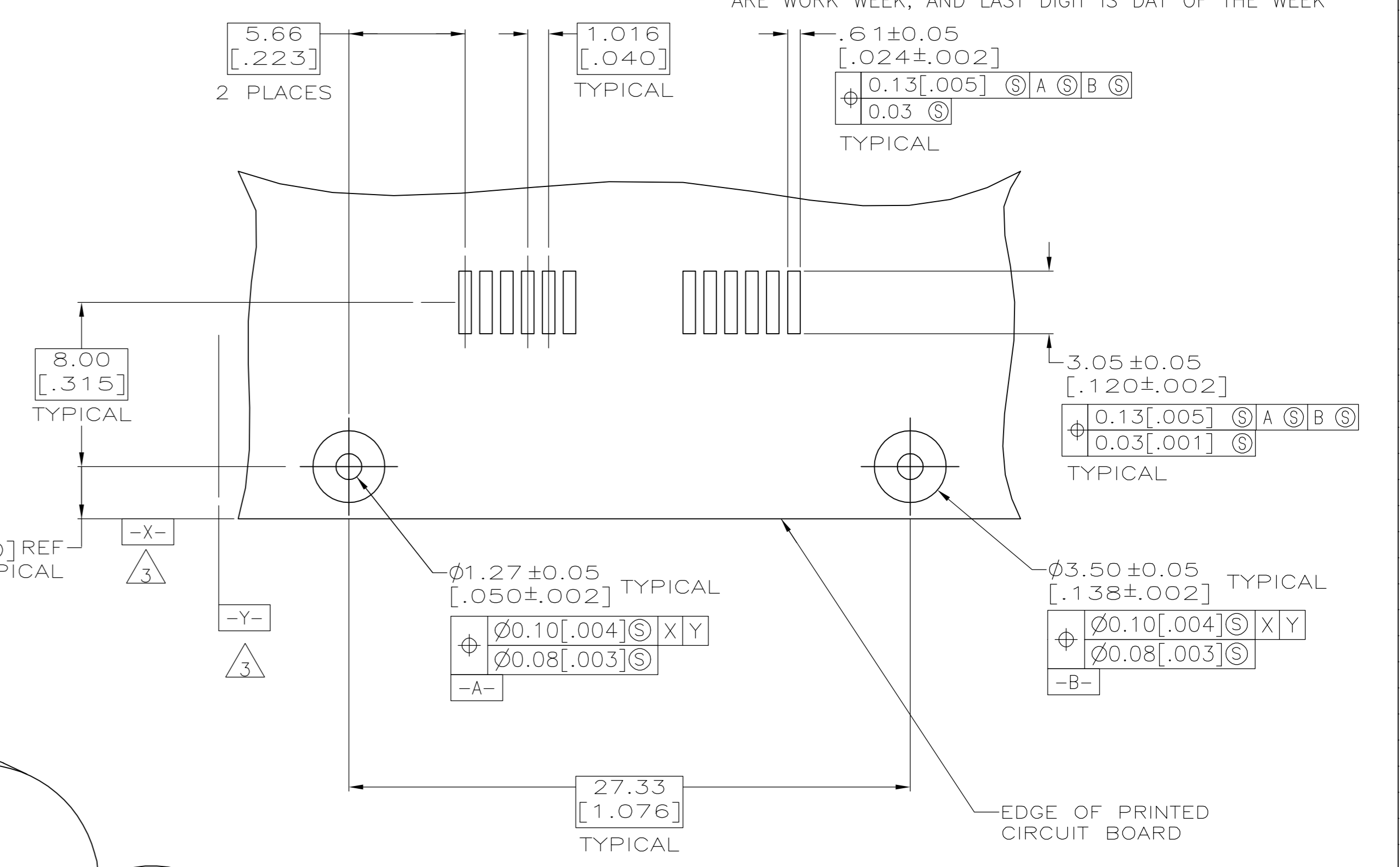
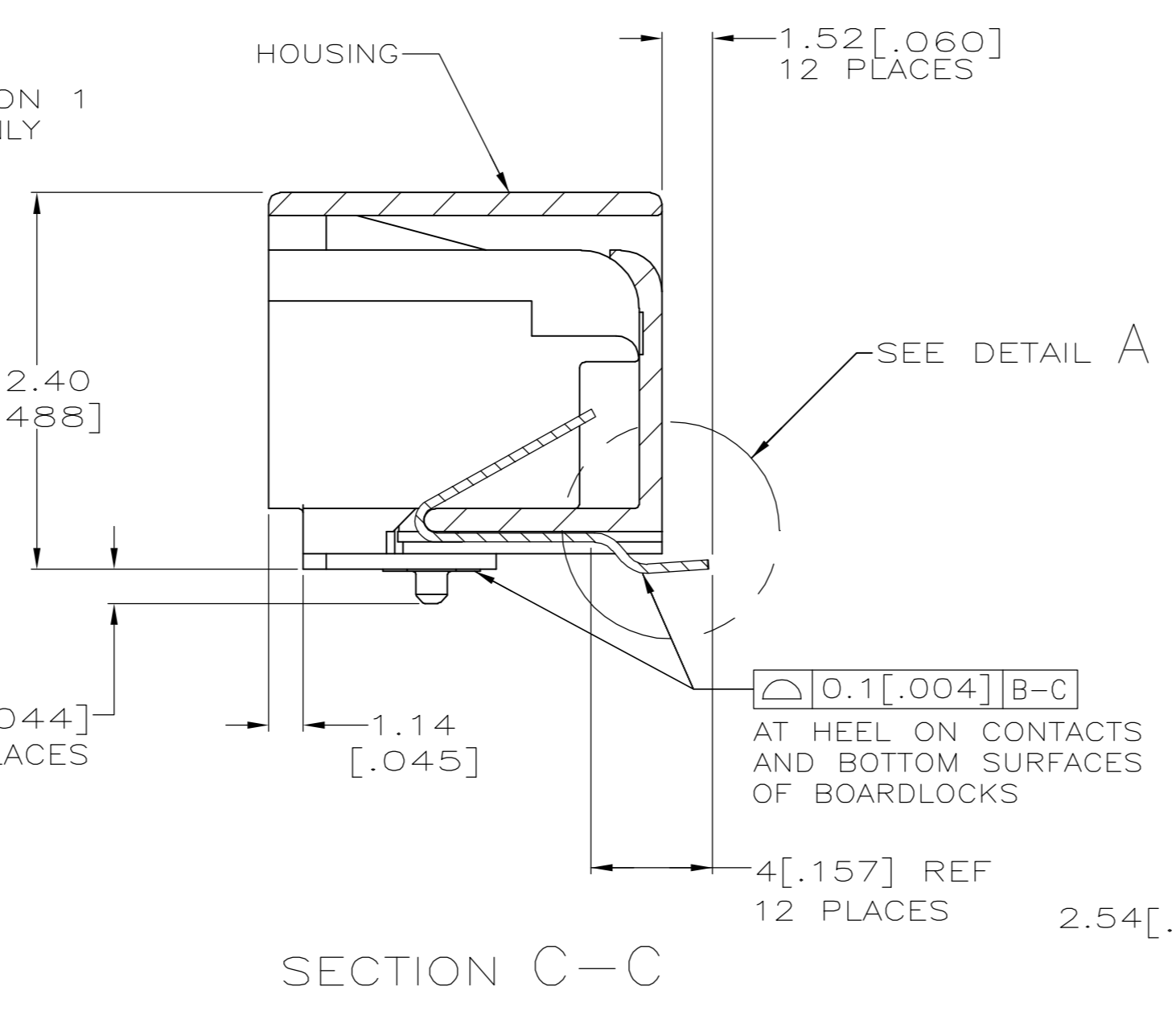
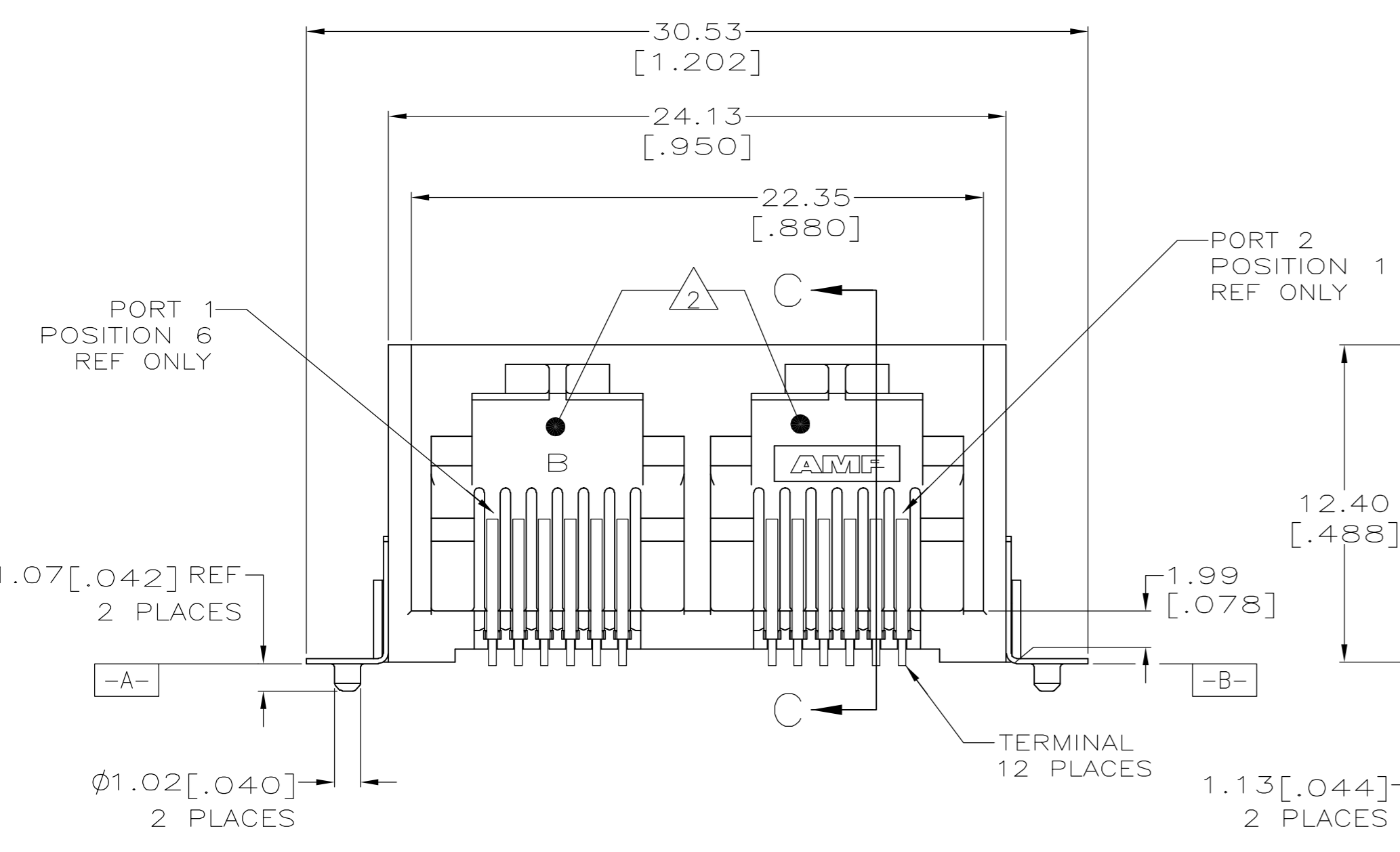
Address: A1208, Overseas Decoration Building, #122 Zhenhua RD., Futian, Shenzhen, China



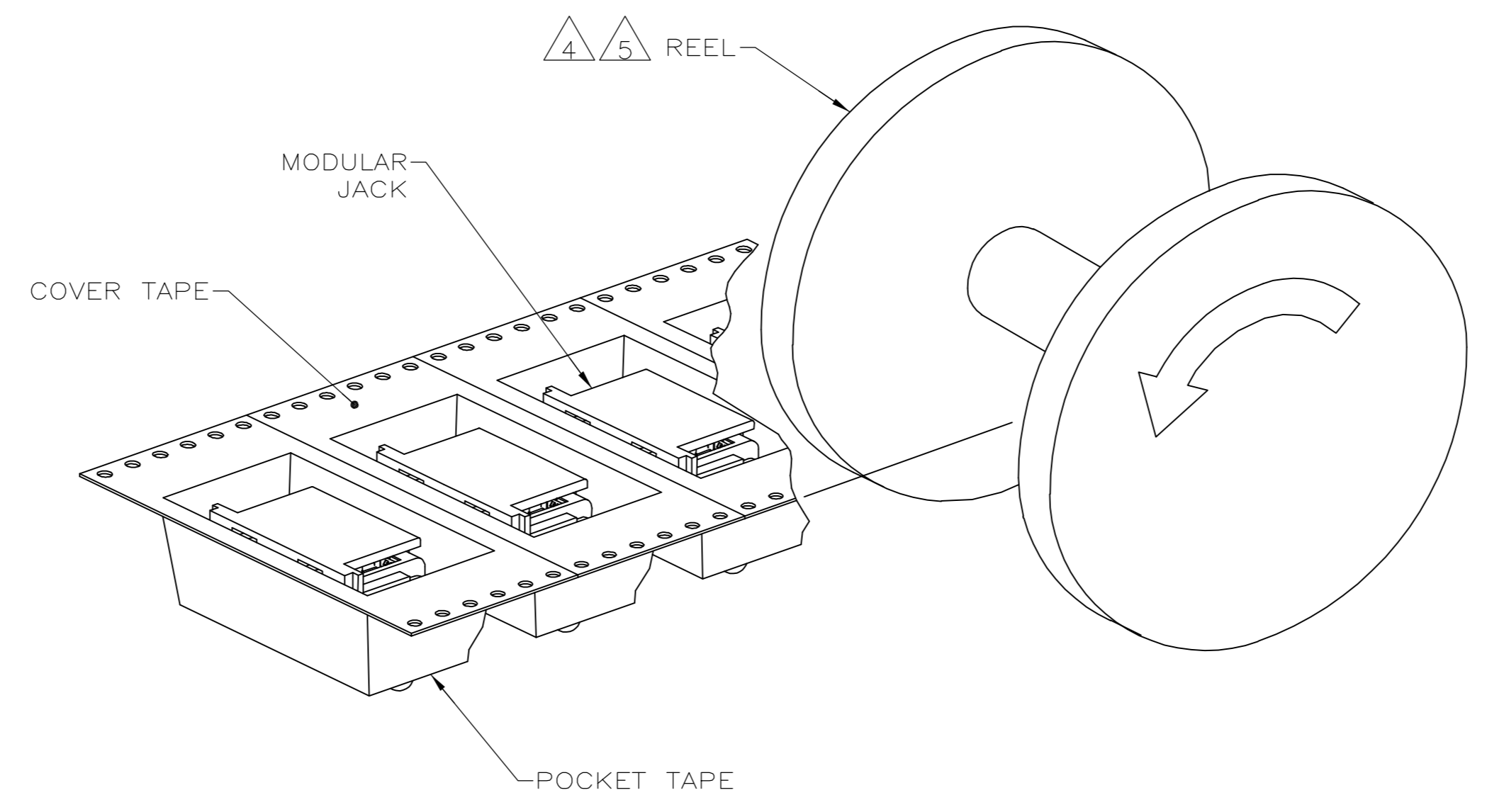
LOC	DIST	REVISIONS			
P	LR	DESCRIPTION	DATE	DWN	APVD
B		ECO-06-011837	20MAY2006	LAM	JW



- MATERIAL: HOUSING - HIGH TEMPERATURE THERMOPLASTIC, SEE TABLE FOR COLOR.  
 TERMINALS - 0.3[.012] THICK COPPER ALLOY PLATED WITH 1.27μm[.000050] MINIMUM GOLD IN LOCALIZED CONTACT AREA, 2.5μm[.000100] MINIMUM MATTE TIN ON TERMINATION END, OVER 1.27μm[.000050] MINIMUM NICKEL OVER THE ENTIRE TERMINAL.  
 BOARDLOCK - BRASS, 1/2 HARD, 2.54μm[.000100] MINIMUM MATTE TIN OVER 1.27μm[.000050] MINIMUM NICKEL.
- JACK CAVITY CONFORMS TO FCC RULES AND REGULATIONS, PART 68 SUBPART F.
- DATUM ESTABLISHED BY CUSTOMER.
- PACKAGING TAPE AND REEL:(PER EIA 481 SPEC)  
 TAPE - 44mm[1.73] WIDE  
 POCKET PITCH - 24mm[.945]  
 CORRUGATED REEL DIAMETER - 560mm[22.0]  
 PIECES/REEL - 650
- PACKAGING TAPE AND REEL:(PER EIA 481 SPEC)  
 TAPE - 44mm[1.73] WIDE  
 POCKET PITCH - 24mm[.945]  
 PLASTIC REEL DIAMETER - 330mm[13.0]  
 PIECES/REEL - 200
- MANUFACTURING DATE CODE LOCATED APPROXIMATELY AS SHOWN. FIRST 2 DIGITS ARE YEAR, SECOND 2 DIGITS ARE WORK WEEK, AND LAST DIGIT IS DAY OF THE WEEK



RECOMMENDED PANEL CUTOUT  
SCALE 5:1



RECOMMENDED PRINTED CIRCUIT BOARD LAYOUT  
COMPONENT SIDE - VIEWED FROM TOP  
SCALE 5:1

MARKING	COLOR	PACKAGING	PART NUMBER
NONE	GRAY	4	5406903-4
6	GRAY	5	5406903-2
6	GRAY	4	5406903-1

THIS DRAWING IS A CONTROLLED DOCUMENT.		DWN J. ALCORTA - 16JUN2005	Tyco Electronics Corporation Harrisburg, PA 17105-3608	
DIMENSIONS: mm [INCHES]		CHK J. WESTMAN	NAME S. FLICKINGER	
TOLERANCES UNLESS OTHERWISE SPECIFIED:		APVD S. FLICKINGER	PRODUCT SPEC 108-1689	
0 PLC ± -		APPLICATION SPEC 114-6040		
1 PLC ± -		SIZE 114-6040		
2 PLC ± 0.13[.005]		CAGE CODE 100779		
3 PLC ± -		DRAWING NO 5406903		
4 PLC ± -		RESTRICTED TO -		
ANGLES ± -		WEIGHT 2.2 GRAMS		
MATERIAL SEE NOTE 1		FINISH SEE NOTE 1		
CUSTOMER DRAWING		SCALE 5:1 SHEET 1 OF 1 REV B		