



Chipsmall Limited consists of a professional team with an average of over 10 year of expertise in the distribution of electronic components. Based in Hongkong, we have already established firm and mutual-benefit business relationships with customers from,Europe,America and south Asia,supplying obsolete and hard-to-find components to meet their specific needs.

With the principle of "Quality Parts,Customers Priority,Honest Operation,and Considerate Service",our business mainly focus on the distribution of electronic components. Line cards we deal with include Microchip,ALPS,ROHM,Xilinx,Pulse,ON,Everlight and Freescale. Main products comprise IC,Modules,Potentiometer,IC Socket,Relay,Connector.Our parts cover such applications as commercial,industrial, and automotives areas.

We are looking forward to setting up business relationship with you and hope to provide you with the best service and solution. Let us make a better world for our industry!



Contact us

Tel: +86-755-8981 8866 Fax: +86-755-8427 6832

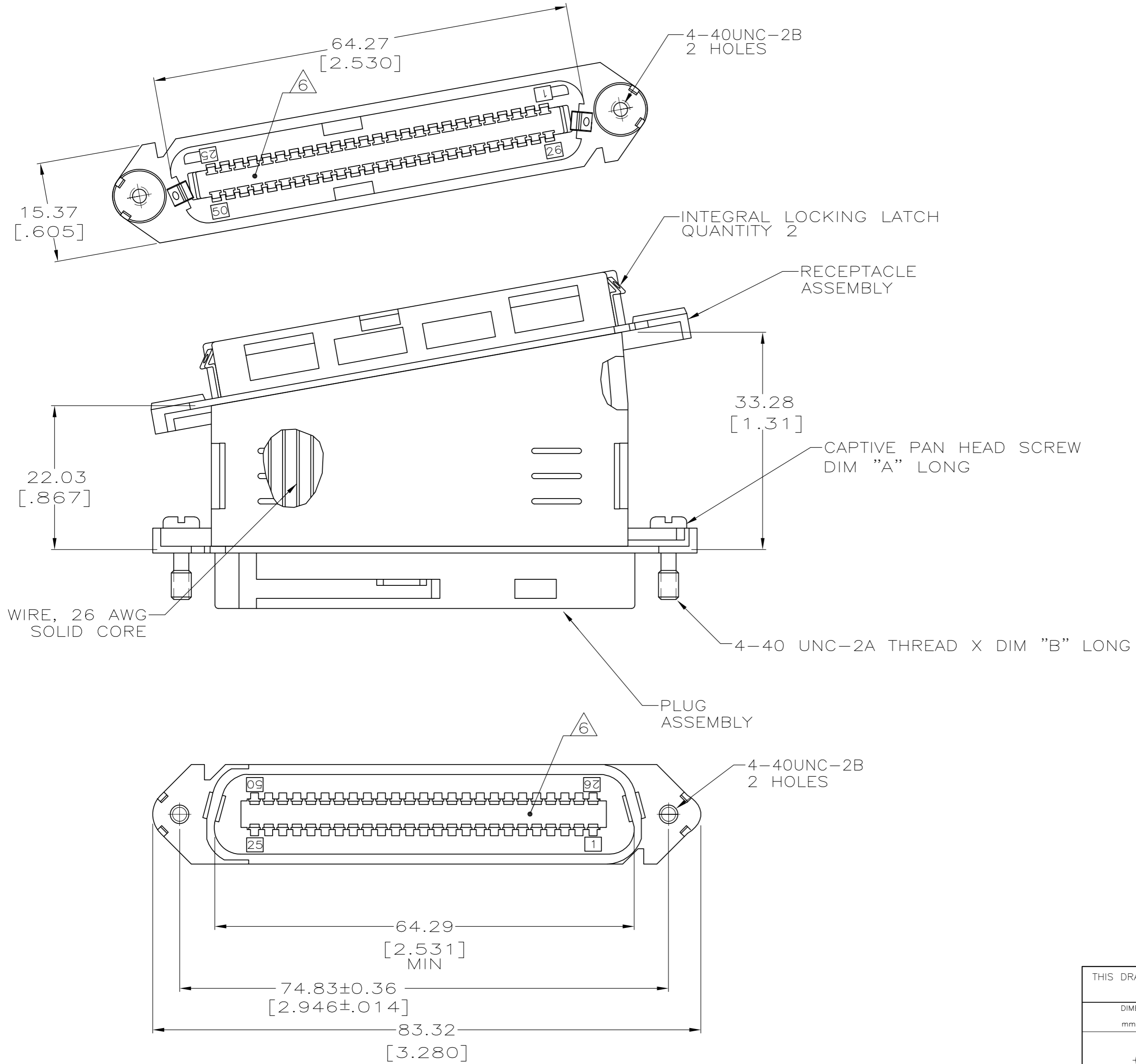
Email & Skype: info@chipsmall.com Web: www.chipsmall.com

Address: A1208, Overseas Decoration Building, #122 Zhenhua RD., Futian, Shenzhen, China



THIS DRAWING IS UNPUBLISHED. RELEASED FOR PUBLICATION
 © COPYRIGHT 2005 BY TYCO ELECTRONICS CORPORATION. ALL RIGHTS RESERVED.

| LOC | DIST | REVISIONS | | | |
|-----|------|-------------|---------------------------|---------|-------|
| P | LTR | DESCRIPTION | DATE | DWN | APVD |
| GP | 00 | B | REVISED PER ECO-08-007327 | 02OCT08 | BM WM |



- ① DIMENSIONS ARE MAXIMUM UNLESS OTHERWISE SPECIFIED.
- 2. LIKE NUMBERED TERMINALS ON BOTH CONNECTORS ARE ELECTRICALLY COMMON.
- ③ MATERIAL: HOUSING AND COVERS – POLYPHENYLENE OXIDE, BLACK.
 TERMINAL – HIGH STRENGTH COPPER ALLOY PLATED WITH EITHER 0.76µm [.000030] MIN GOLD OR GOLD FLASH OVER PALLADIUM NICKEL PLATE, 0.76µm [.000030] MIN TOTAL ON MATING SURFACE, 1.27µm [.000050] MIN NICKEL UNDERPLATE OVER ENTIRE TERMINAL.
 LATCH – ZINC PLATED CARBON STEEL.
- 4. THE CONTACT SURFACES OF THE TERMINALS ARE COATED WITH LUBRICANT.
- 5. CENTER-TO-CENTER SPACING OF TERMINALS IS 2.16 [.085] NOMINAL.
- ⑥ CORING MAY OR MAY NOT APPEAR AND IS AT THE DISCRETION OF AMP INCORPORATED.

5406952

| | | |
|-------------|--------------|-------------|
| 2.54 [.100] | 8.89 [.350] | 5406952-2 |
| 4.45 [.175] | 10.92 [.430] | 5406952-1 |
| DIM "B" | DIM "A" | PART NUMBER |

| | | | | |
|--|------------|--|---|--|
| THIS DRAWING IS A CONTROLLED DOCUMENT. | | DWN G.PETERS 23SEP05 | Tyco Electronics Corporation Harrisburg, Pa 17105-3608 | |
| DIMENSIONS: mm [INCHES] | | CHK W.MILLHIMES 23SEP05 | NAME M.WALMSLEY | |
| TOLERANCES UNLESS OTHERWISE SPECIFIED: | | APVD M.WALMSLEY 23SEP05 | PRODUCT SPEC | |
| 0 PLC ± - | 1 PLC ± - | APPLICATION SPEC | | |
| 2 PLC ± - | 3 PLC ± - | WEIGHT - | | |
| 4 PLC ± - | ANGLES ± - | SIZE A2 CAGE CODE 00779 DRAWING NO C=5406952 RESTRICTED TO - | | |
| MATERIAL ③ | FINISH ③ | SCALE 2:1 SHEET 1 OF 1 REV B | | |
| CUSTOMER DRAWING | | | | |