



Chipsmall Limited consists of a professional team with an average of over 10 year of expertise in the distribution of electronic components. Based in Hongkong, we have already established firm and mutual-benefit business relationships with customers from,Europe,America and south Asia,supplying obsolete and hard-to-find components to meet their specific needs.

With the principle of “Quality Parts,Customers Priority,Honest Operation,and Considerate Service”,our business mainly focus on the distribution of electronic components. Line cards we deal with include Microchip,ALPS,ROHM,Xilinx,Pulse,ON,Everlight and Freescale. Main products comprise IC,Modules,Potentiometer,IC Socket,Relay,Connector.Our parts cover such applications as commercial,industrial, and automotives areas.

We are looking forward to setting up business relationship with you and hope to provide you with the best service and solution. Let us make a better world for our industry!



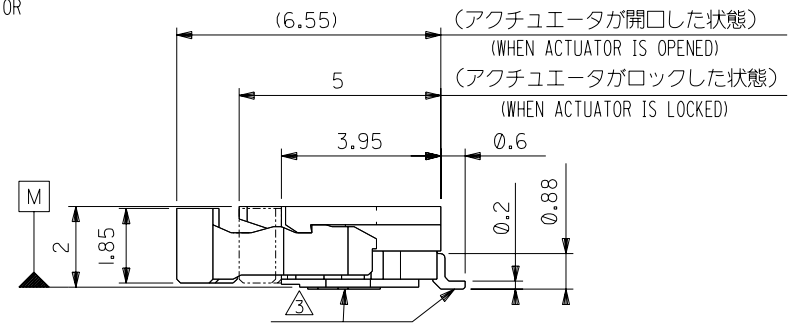
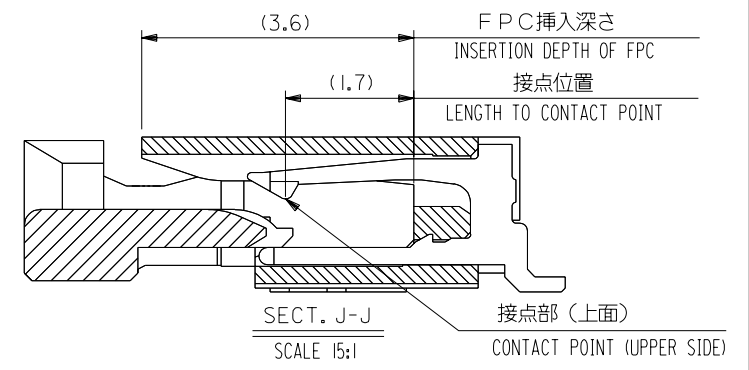
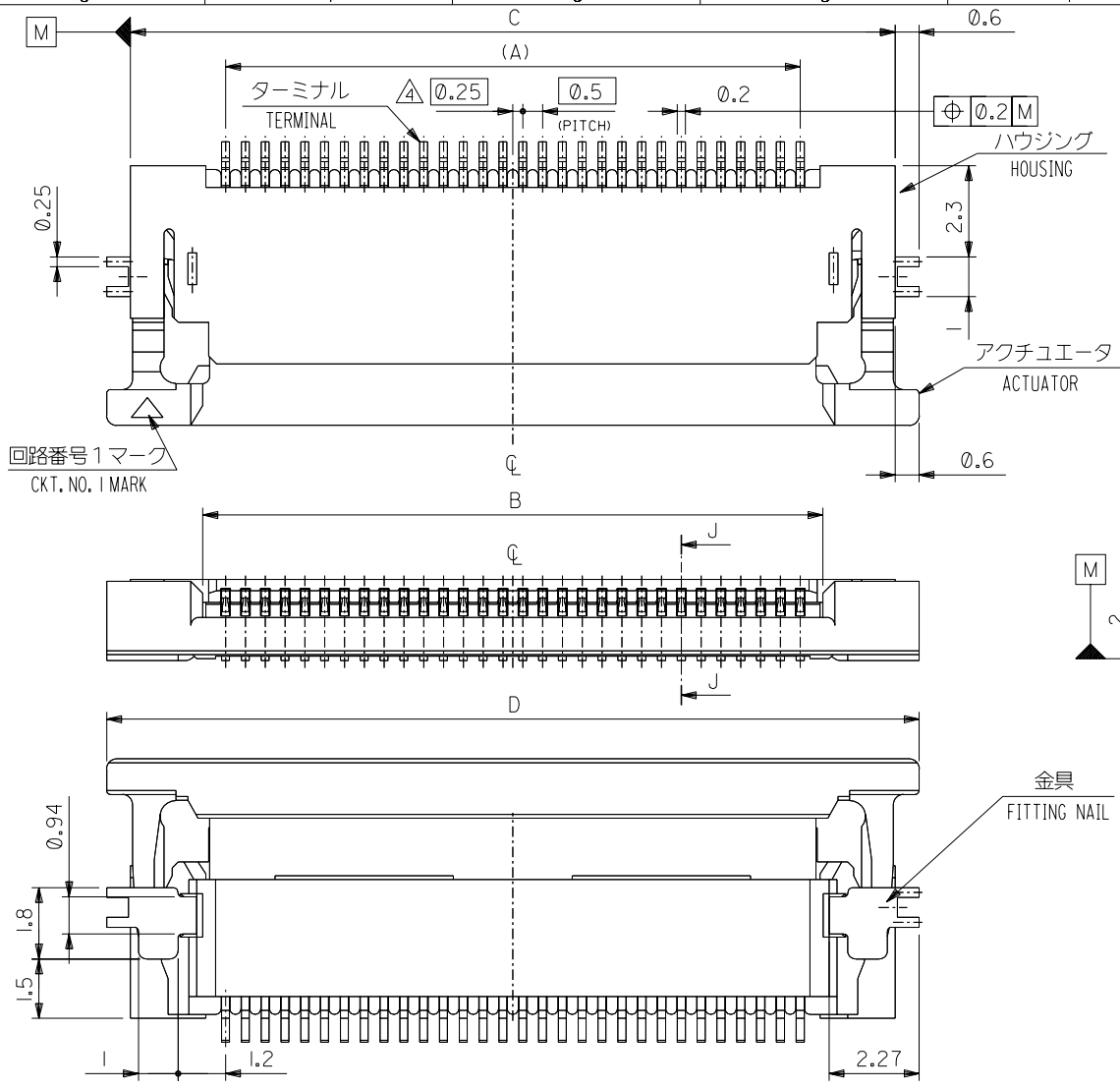
Contact us

Tel: +86-755-8981 8866 Fax: +86-755-8427 6832

Email & Skype: info@chipsmall.com Web: www.chipsmall.com

Address: A1208, Overseas Decoration Building, #122 Zhenhua RD., Futian, Shenzhen, China



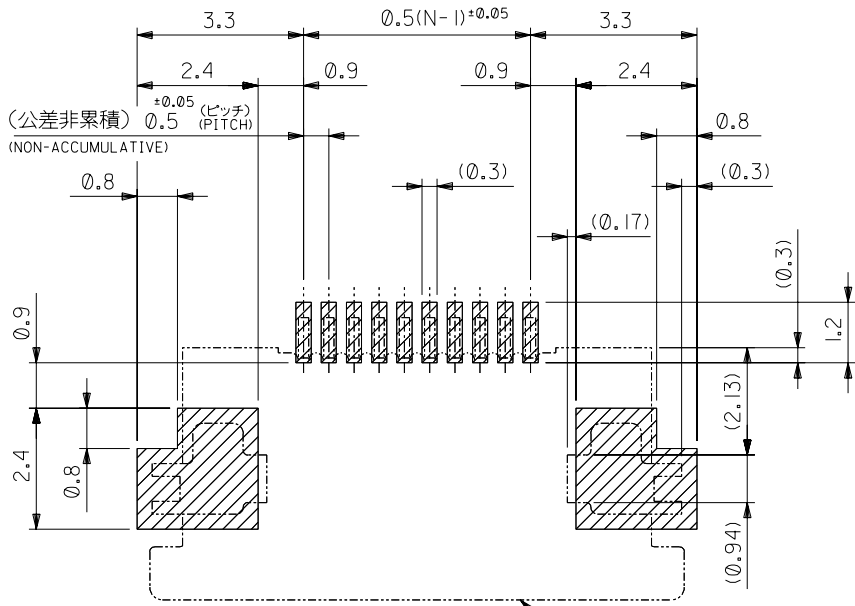


30.5	29.3	25.65	24.5	54104 - 5037	50
28.5	27.3	23.65	22.5	54104 - 4637	46
28.0	26.8	23.15	22.0	54104 - 4537	45
27.0	25.8	22.15	21.0	54104 - 4337	43
25.5	24.3	20.65	19.5	54104 - 4037	40
24.5	23.3	19.65	18.5	54104 - 3837	38
23.5	22.3	18.65	17.5	54104 - 3637	36
23.0	21.8	18.15	17.0	54104 - 3537	35
22.5	21.3	17.65	16.5	54104 - 3437	34
22.0	20.8	17.15	16.0	54104 - 3337	33
21.5	20.3	16.65	15.5	54104 - 3237	32
20.5	19.3	15.65	14.5	54104 - 3037	30
D	C	B	A	MATERIAL NO.	CKT.

DO NOT SCALE DRAWING

図番 NO. DRAWN: CH'K: APPR:	図番 NO. DRAWN: CH'K: APPR:	変更 REVISED 図番 NO. JZ003-2624 DRWN: K.TOJO CH'K: M.SASAO APPR: M.SASAO	変更 REVISED 図番 NO. JZ003-0977 DRWN: K.TOJO CH'K: M.SASAO APPR: M.SASAO	新規作成 RELEASED 図番 NO. JC2001-0415 DRWN: N.YANO CH'K: S.KUNISHI APPR: M.FUKUSHIMA	MATERIAL 材料 SHEET 2 OF 2 参照 SEE SHEET 2 OF 2
REV	DESCRIPTION	FINISH 仕上げ	WIRE RANGE 適用層線範囲	INS. RANGE 被覆外径	—

GENERAL TOLERANCES: (UNLESS SPECIFIED) 一般公差	SCALE	DESIGN UNITS <input checked="" type="checkbox"/> mm <input type="checkbox"/> INCH	DIMENSIONS: <input type="checkbox"/> mm <input type="checkbox"/> INCH <input checked="" type="checkbox"/> mm ONLY	SHT REV
10 UNDER 未満 30 UNDER 未満	±0.2	DRAWN BY & DATE N.YANO '00/12/13	TITLE: 0.5 FPC Conn Zif Hsg Assy for SMT RA Upr Cont	2 1
10 OVER 以上 30 OVER 以上	±0.25 ±0.3	CHECKED BY & DATE S.KUNISHI '00/12/13	MOLEX MOLEX INCORPORATED	2 1
ANGLE 角度	±3°	APPROVED BY & DATE M.FUKUSHIMA '00/12/13	CAD FILENAME SD-54104-023.S01	MATERIAL NO. 54104-***37
			DRAWING NO. SD-54104-023	SHEET NO. 1 OF 2
			THIS DRAWING CONTAINS INFORMATION THAT IS PROPRIETARY TO MOLEX INCORPORATED AND SHOULD NOT BE USED WITHOUT WRITTEN PERMISSION.	
			SIZE B	



コネクタ位置
CONNECTOR POSITION

参考基板レイアウト
RECOMMENDED P.C.BOARD
PATTERN DIMENSION (REF.)

(マウント面)
(MOUNTING SIDE)

注記 NOTES

I. 使用材料 MATERIAL

ハウジング : 46ナイロン, UL 94V-0
HOUSING : 46NYLON

アクチュエータ : PPS, UL 94V-0
ACTUATOR

ターミナル : リン青銅, 銅下地半田メッキ (t=0.2)
TERMINAL : PHOS-BRO.TIN-LEAD(9) 3~5 MICRON METER OVER COPPER 1~2.5 MICRON METER PLATED

金具 : リン青銅, 銅下地半田メッキ (t=0.2)
FITTING NAIL : PHOS-BRO.TIN-LEAD(9) 3~5 MICRON METER OVER COPPER 1~2.5 MICRON METER PLATED

2. エンボステープ梱包時は、アクチュエータがロックした状態とする。
IN THE PACKAGE, ACTUATOR OF PART NO.54104-37 SHOULD BE LOCKED.

△ソルダーテール半田付け面のスレ量、及び金具半田付け面のスレ量は、基準面 H に対し上方向 0.1 MAX. 下方向 0.15 MAX. とし、相互のパラツキ量は、0.1 MAX. とする。
MISALIGNMENT OF SOLDER TAILS AND FITTING NAILS FROM UPPER DIRECTION: 0.1 MAX., LOWER DIRECTION: 0.15 MAX. OFFSET BETWEEN UPPER AND LOWER 0.1 MAX.

△偶数極に適用。
APPLY FOR EVEN CIRCUIT.

△パターンはくり止め用金具
FITTING NAIL FOR PREVENTION OF PEELING OF P.C.B. PATTERN.

注記参照
SEE NOTES

MATERIAL
材料

FINISH
仕上げ

WIRE RANGE
適用線径範囲

INS. RANGE
被覆外径

適合 FPC 推奨寸法
APPLICABLE FPC
RECOMMENDED DIMENSION

(仕上がり厚さ: 0.3±0.03)
(THICKNESS: 0.3±0.03)

適合 FFC 推奨寸法
APPLICABLE FFC
RECOMMENDED DIMENSION

(仕上がり厚さ: 0.3±0.03)
(THICKNESS: 0.3±0.03)

FPC/FFCについて

打抜き方向は導体側から補強板側を推奨いたします。
導体部については軟銅箔35マイクロメートルまたは50マイクロメートルメッキ厚 3~9マイクロメートル錫または半田メッキ (電気メッキ)
RECOMMENDED PUNCHER DIRECTION:
FROM CONDUCTOR SIDE TO STIFFENER BOARD SIDE.
RECOMMENDED CONDUCTOR SPEC.:
THICKNESS OF SOFT COPPER FOIL:
35 micrometer or 50 micrometer
TIN OR SOLDER PLATING:
3~9 micrometer (ELECTRICAL PLATING)

DO NOT SCALE DRAWING

②84NO. DRAWN: CH'K: APPR: ②83NO. DRAWN: CH'K: APPR: 変更 REVISED ②62NO. J2003-2624 DRAWN: K.TOJO CH'K: M.SASAO APPR: M.SASAO 変更 REVISED ②61NO. J2003-0977 DRAWN: K.TOJO CH'K: M.SASAO APPR: M.SASAO 新規作成 RELEASED ②60NO. J2001-0415 DRAWN: N.YANO CH'K: S.KUNISHI APPR: M.FUKUSHIMA	B	0	REV

GENERAL TOLERANCES: (UNLESS SPECIFIED) 一般公差		SCALE	DESIGN UNITS	DIMENSIONS: <input type="checkbox"/> mm <input type="checkbox"/> INCH <input checked="" type="checkbox"/> mm ONLY	SHT	REV
10 UNDER 未満	±0.2	DRAWN BY & DATE N.YANO '00/12/13	TITLE: 0.5 FPC Conn Zif Hsg Assy for SMT RA Up Cont			
10 OVER 以上	±0.25	CHECKED BY & DATE S.KUNISHI '00/12/13				
30 OVER 以上	±0.3	APPROVED BY & DATE M.FUKUSHIMA '00/12/13				
ANGLE 角度	±3°	CAD FILENAME SD-54104-023.S02	MATERIAL NO. 54104-37	DRAWING NO. SD-54104-023	SHEET NO. 2 OF 2	

MOLEX MOLEX INCORPORATED CAD FILENAME: SD-54104-023.S02 MATERIAL NO.: 54104-37 DRAWING NO.: SD-54104-023 SHEET NO.: 2 OF 2					
THIS DRAWING CONTAINS INFORMATION THAT IS PROPRIETARY TO MOLEX INCORPORATED AND SHOULD NOT BE USED WITHOUT WRITTEN PERMISSION.					
SIZE B					

8

7

6

5

4

3

2

1

F

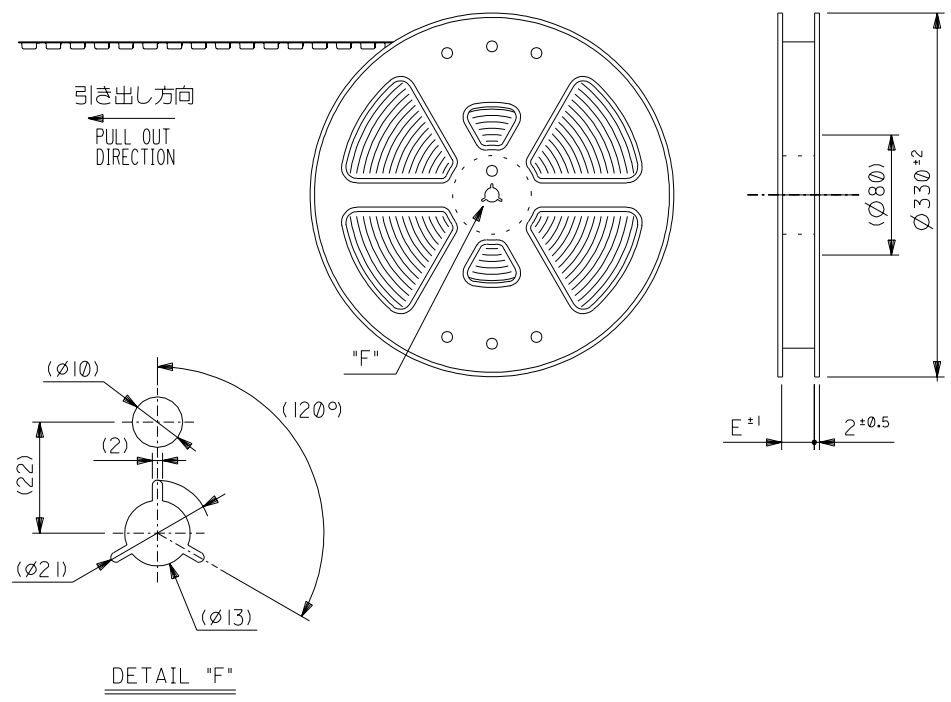
E

D

C

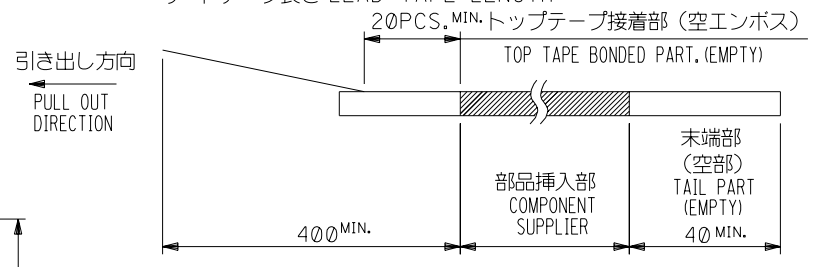
B

SD-54104-024.SU

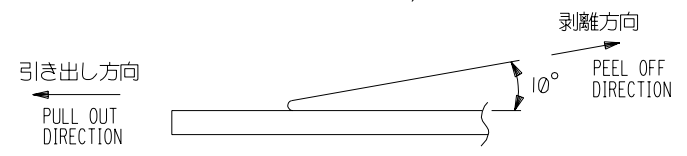


NOTES

- 梱包数量：1500個/リール
NUMBER OF CONNECTORS : 1500PCS/REEL
- リードテープ長さ LEAD TAPE LENGTH
20PCS. MIN. トップテープ接着部 (空エンボス)



- トップテープの剥離強度：0.1N ~ 0.7N(10.2gf ~ 71.4gf)
(剥離方向は下図参照)
尚、本規格値は出荷時に適用。(但し、輸送時に剥離が発生しないこと。)
PEELING OFF FORCE OF TOP TAPE : 0.1N ~ 0.7N(10.2gf ~ 71.4gf)
(PEELING DIRECTION AS SHOWN IN FOLLOWING FIG.)
THIS REQUIREMENT SHOULD BE APPLIED AT SHIPMENT.
PEEL OFF SHOULD NOT BE ALLOWED , DURING TRANSPORTATION.



- 材料 (MATERIAL)
キャリアテープ (CARRIER TAPE) : ポリプロピレン (POLYPROPYLENE)
トップテープ (TOP TAPE) : PET, PE, PEF
リール (REEL) : ポリスチレン (PS) <リサイクル材を含む>
POLYSTYREN (PS) <RECYCLE MATERIAL CONTAINED>

②64NO. DRWN: CH'K: APPR: ②63NO. DRWN: CH'K: APPR: ②62NO. DRWN: CH'K: APPR: 変更 REVISED ②61NO. JZ003-0977 DRWN: K.TOJO CH'K: M.SASAO APPR: M.SASAO 新規格作成 RELEASED ②60NO. JC2001-0415 DRWN: N.YANO CH'K: S.KUNISHI APPR: M.FUKUSHIMA	A	0	MATERIAL 材料 注記参照 SEE NOTES FINISH 仕上げ WIRE RANGE 適用規格範囲 INS. RANGE 被覆外径	GENERAL TOLERANCES: (UNLESS SPECIFIED) 一般公差	SCALE DESIGN UNITS <input checked="" type="checkbox"/> mm <input type="checkbox"/> INCH	DIMENSIONS: <input type="checkbox"/> mm <input type="checkbox"/> INCH <input checked="" type="checkbox"/> mm ONLY	SHT REV
				10 UNDER 未満 30 UNDER 未満 30 OVER 以上	±0.2 ±0.25 ±0.3	DRAWN BY & DATE N.YANO '00/12/13 CHECKED BY & DATE S.KUNISHI '00/12/13 APPROVED BY & DATE M.FUKUSHIMA '00/12/13	TITLE: Embstp Pkg for 0.5 FPC Conn Zif Hsg Assy
				THIS DRAWING CONTAINS INFORMATION THAT IS PROPRIETARY TO MOLEX INCORPORATED AND SHOULD NOT BE USED WITHOUT WRITTEN PERMISSION.			SIZE B

8

7

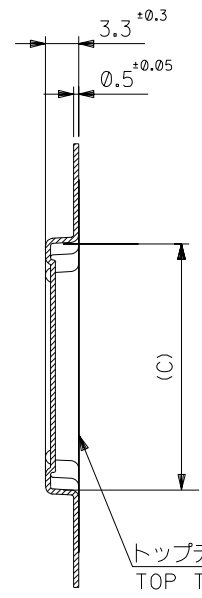
6

5

4

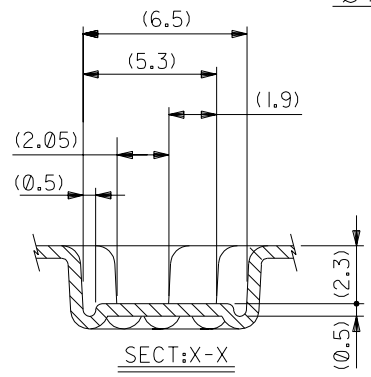
3

2



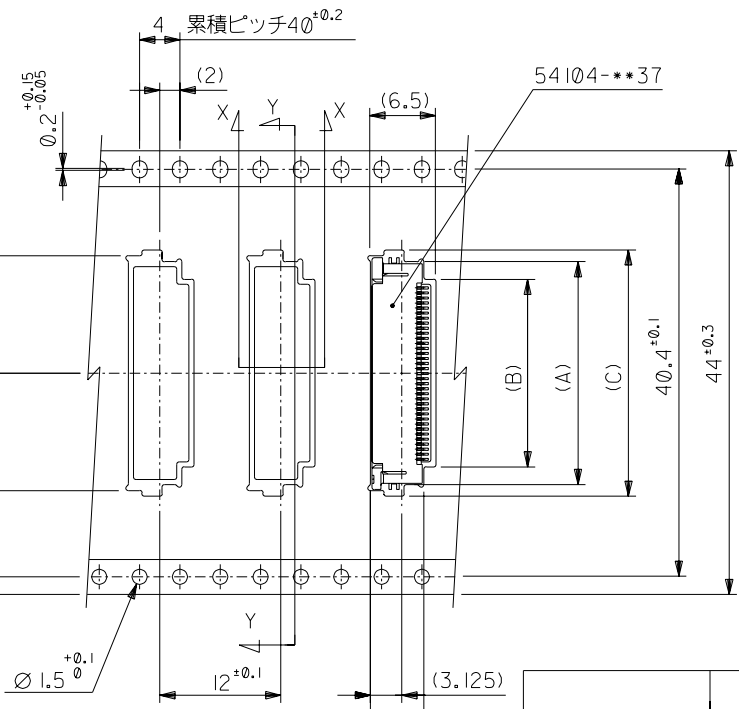
SECT:Y-Y

トップテープ
TOP TAPE



SECT:X-X
(SCALE:5-1)

引き出し方向

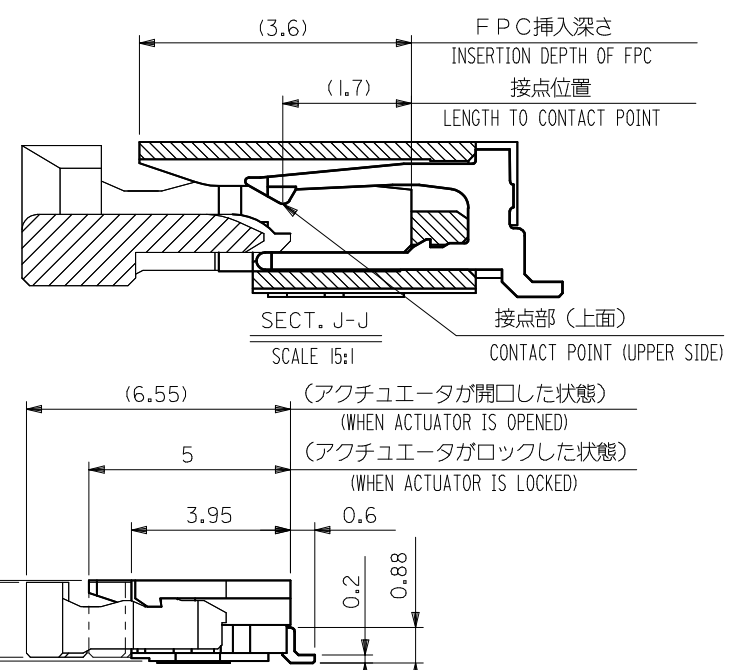
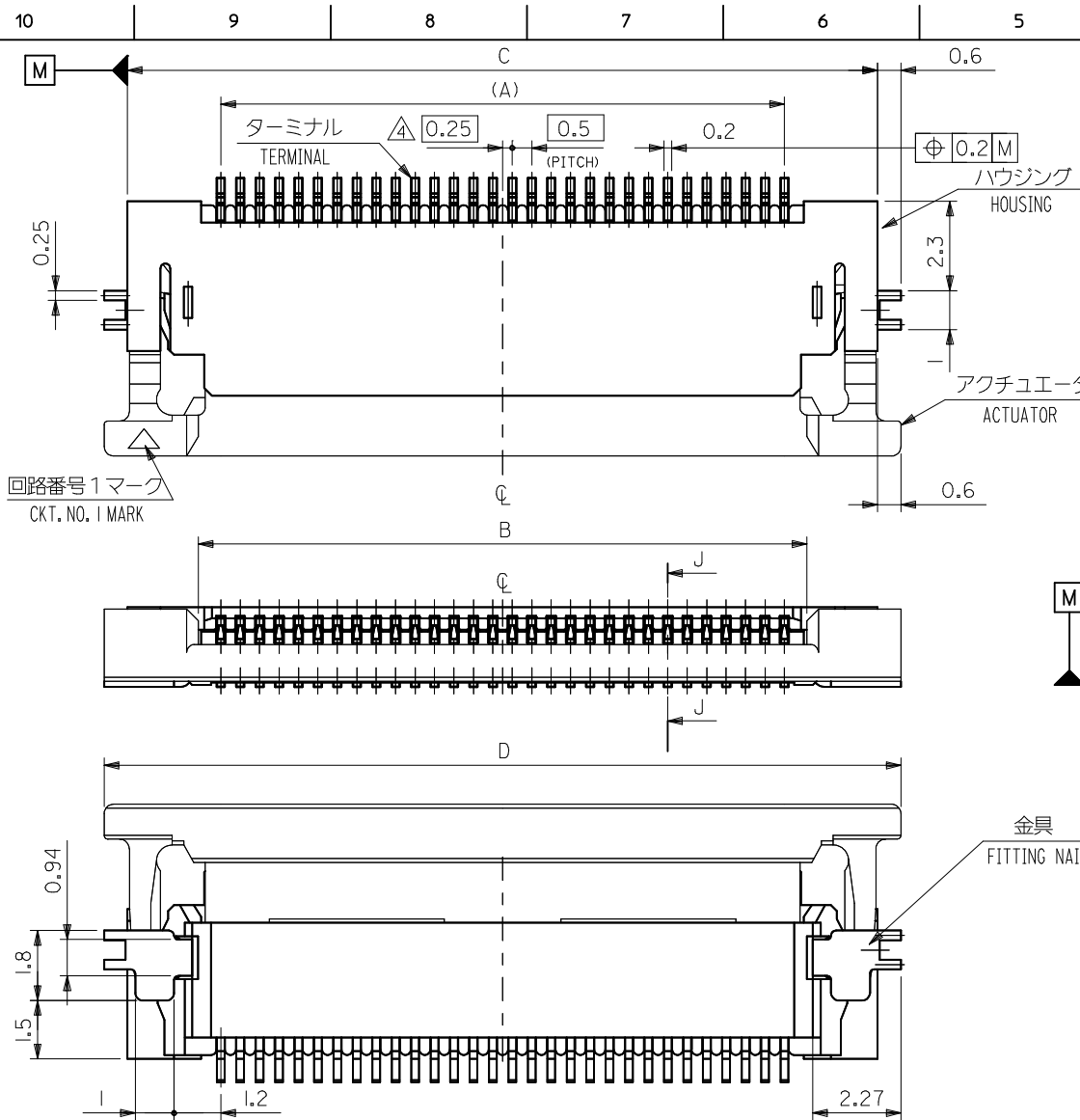


44	45.5	30.8	31.9	26.1	29.6	54104-5092	50
		28.8	29.9	24.1	27.6	-4692	46
		28.3	29.4	23.6	27.1	-4592	45
		27.3	28.4	22.6	26.1	-4392	43
		25.8	26.9	21.1	24.6	-4092	40
		24.8	25.9	20.1	23.6	-3892	38
		23.8	24.9	19.1	22.6	-3692	36
		23.3	24.4	18.6	22.1	-3592	35
		22.8	23.9	18.1	21.6	-3492	34
		22.3	23.4	17.6	21.1	-3392	33
		21.8	22.9	17.1	20.6	-3292	32
		20.8	21.9	16.1	19.6	54104-3092	30
キャリアテープ幅 CARRIER TAPE WIDTH	E	D	C	B	A	MATERIAL NO.	CKT.

DO NOT SCALE DRAWING

64 NO. DRWN: CH'K: APPR:	63 NO. DRWN: CH'K: APPR:	62 NO. DRWN: CH'K: APPR:	変更 REVISED '02/10/015 61 NO. JZ003-0977 DRWN: K.TOJO CH'K: M.SASAO APPR: M.SASAO 新規作成 RELEASED '00/12/13 60 NO. JC2001-0415 DRWN: N.YANO CH'K: S.KUNISHI APPR: M.FUKUSHIMA	MATERIAL 材料 SHEET 1 OF 2 参照 REFER TO SHEET 1 OF 2	GENERAL TOLERANCES: (UNLESS SPECIFIED) 一般公差 10 UNDER 未満 ±0.2 10 OVER 30 UNDER 未満 ±0.25 30 OVER 以上 ±0.3 WIRE RANGE 適用 適用範囲 --- ANGLE 角度 ±3°	SCALE DESIGN UNITS <input checked="" type="checkbox"/> mm <input type="checkbox"/> INCH 20° 25° 30° 45° 60° 90° DIMENSIONS: <input type="checkbox"/> mm <input type="checkbox"/> INCH <input checked="" type="checkbox"/> mm ONLY SHT REV	DRAWN BY & DATE N.YANO '00/12/13 CHECKED BY & DATE S.KUNISHI '00/12/13 APPROVED BY & DATE M.FUKUSHIMA '00/12/13 CAD FILENAME SD-54104-024.S02	TITLE: Embstp Pkg for 0.5 FPC Conn Zif Hsg Assy MOLEX INCORPORATED MATERIAL NO. 54104-***92 DRAWING NO. SD-54104-024 SHEET NO. 2 OF 2
8	7	6	5	4	3	2	1	

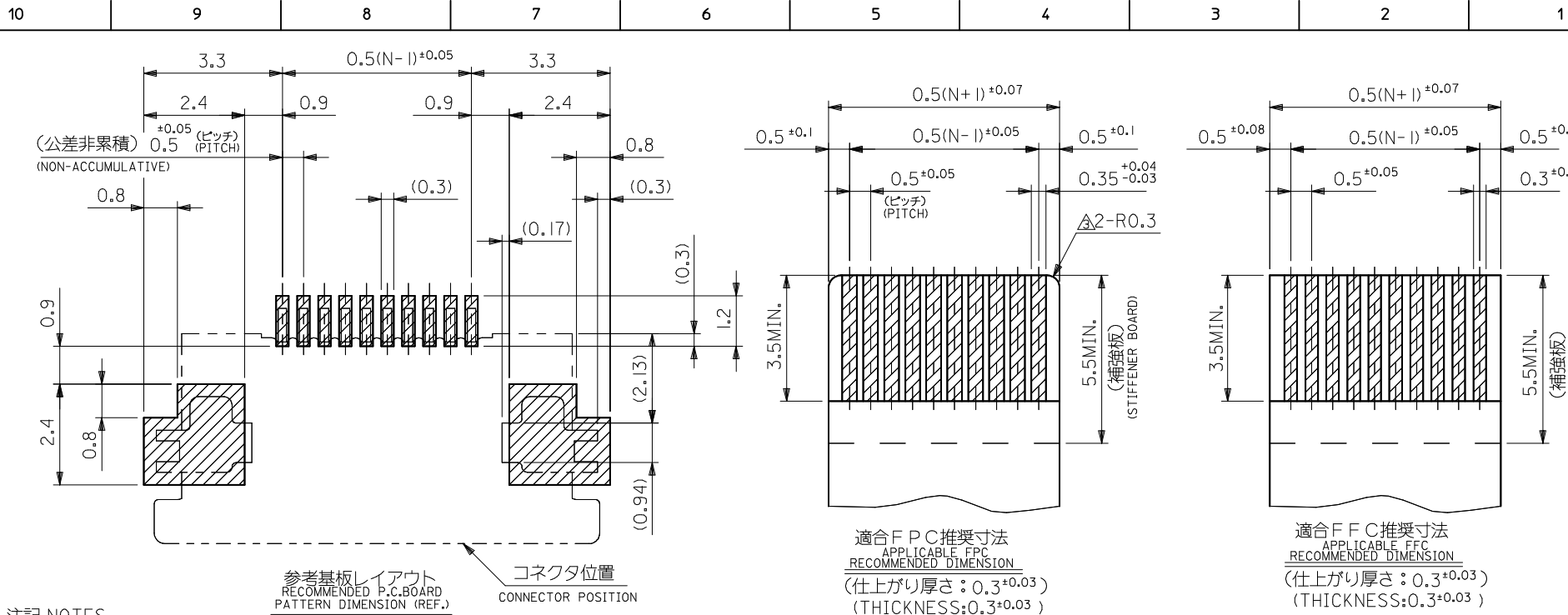
THIS DRAWING CONTAINS INFORMATION THAT IS PROPRIETARY TO MOLEX INCORPORATED AND SHOULD NOT BE USED WITHOUT WRITTEN PERMISSION.



30.5	29.3	25.65	24.5	54104-5033	50
28.5	27.3	23.65	22.5	54104-4633	46
28.0	26.8	23.15	22.0	54104-4533	45
25.5	24.3	20.65	19.5	54104-4033	40
24.5	23.3	19.65	18.5	54104-3833	38
23.5	22.3	18.65	17.5	54104-3633	36
23.0	21.8	18.15	17.0	54104-3533	35
22.5	21.3	17.65	16.5	54104-3433	34
22.0	20.8	17.15	16.0	54104-3333	33
21.5	20.3	16.65	15.5	54104-3233	32
20.5	19.3	15.65	14.5	54104-3033	30
D	C	B	A	オーダー番号 ORDER NO.	CKT.

CONNECTOR SERIES NO. 54104-**22

RELEASED EC NO: J2013-1003 DRW:KNAGUMO 2012/09/03 CHKD:KTAKAHASHI 2012/09/06 APPR:KMORIKAWA 2013/03/15	GENERAL TOLERANCES (UNLESS SPECIFIED)		DIMENSION STYLE	SCALE	DESIGN UNITS	THIRD ANGLE PROJECTION 0.5MM FPC CONN ZIF R/A HOUSING ASSY (UPPER CONTACT) molex DOCUMENT NO. SD-54104-083 SHEET NO. 1 OF 2
	10 UNDER ± ---		MM ONLY	---	METRIC	
	10 OVER 30 UNDER ± ---		DRAWN BY DATE	TITLE		
	30 OVER ± ---		CHECKED BY DATE	0.5MM FPC CONN ZIF R/A HOUSING ASSY (UPPER CONTACT)		
DESCRIPTION ANGULAR ± --- ° DRAFT WHERE APPLICABLE MUST REMAIN WITHIN DIMENSIONS	APPROVED BY DATE		MATERIAL NO.		SEE CHART THIS DRAWING CONTAINS INFORMATION THAT IS PROPRIETARY TO MOLEX INCORPORATED AND SHOULD NOT BE USED WITHOUT WRITTEN PERMISSION	
	KMORIKAWA 2013/03/15		SEE CHART			
	O		A3			



注記 NOTES

- 材質 MATERIAL
ハウジング : LCP (液晶ポリマー) , ガラス充填、白色、UL94V-0
HOUSING : LCP (LIQUID CRYSTAL POLYMER) , GLASS FILLED, WHITE, UL94V-0
アクチュエータ : PPS, ガラス充填、茶色、UL94V-0
ACTUATOR : PPS (POLYPHENYLENE SULFIDE) , GLASS FILLED, BROWN, UL94V-0
ターミナル : 銅合金 (t = 0.15)
TERMINAL : COPPER ALLOY (t = 0.15)
金具 : 銅合金 (t = 0.2)
NAIL * COPPER ALLOY (t = 0.2)
 - メッキ仕様 PLATING
ターミナル TERMINAL
錫銀ピンスマメッキ(1.0 μm以上)
TIN SILVER BISMUTH PLATING(1.0 MICROMETER MINIMUM)
下地メッキ : ニッケルメッキ(1.0 μm以上)
UNDER PLATING : NICKEL PLATING(1.0 MICROMETER MINIMUM)
金具 NAIL
半田メッキ(3.0 μm以上)
TIN-LEAD PLATING(3.0 MICROMETER MINIMUM)
下地メッキ : 銅メッキ(1.0 μm以上)
UNDER PLATING : COPPER PLATING(1.0 MICROMETER MINIMUM)
- △3 R0.3はFPCの導体部にかからないこと
R0.3 MUST NOT BE OVERLAPED TO PATTERN OF FPC.
- △4 偶数極に適用
APPLY FOR EVEN CIRCUIT
- エンボスステップ梱包時は、アクチュエータがロックした状態とする。
IN THE PACKAGE, ACTUATOR OF PART NO.54104-***22 SHOULD BE LOCKED.
 - ソルダーテール及び金具の平坦度は、0.1ミリメートル以下とする。
SOLDER TAIL AND FITTING NAIL COPLANARITY TO BE 0.1MILLIMETERS.
 - ELV及びRoHS適合品
ELV & RoHS COMPLIANT

FPC/FFCについて ABOUT FPC/FFC

打ち抜き方向は導体側から補強板側を推奨します。
導体部については軟銅箔35 μmまたは50 μmを推奨します。
RECOMMENDED PUNCHING DIRECTION: FROM CONDUCTOR SIDE TO STIFFENER SIDE
RECOMMENDED CONDUCTOR SPEC: SOFT COPPER FOIL
RECOMMENDED CONDUCTOR THICKNESS: 35 MICROMETER OR 50 MICROMETER

FPCについてABOUT FPC

補強フィルム材質はポリイミドを推奨します。ベースフィルムは25 μmを推奨します。
接着剤は熱硬化接着剤を推奨します。
尚、接着剤の接点部への付着は導通不良の原因になりますので、染み出しが無い様、お願い致します。
RECOMMENDED STIFFENER MATERIAL: POLYIMIDE
RECOMMENDED BASE FILM THICKNESS: 25 MICROMETER
RECOMMENDED ADHESIVE: THERMOSETTING ADHESIVE
NOTE: PLEASE PUT APPROPRIATE AMOUNT OF ADHESIVE ON ADHEREND BECAUSE THERE IS A POSSIBILITY THAT THE EXTRA ADHESIVE CAUSES THE DEFECT IN ELECTRICAL CONTINUITY.

SEE SHEET 1 OF 2 EC NO: J2013-1003 DRWN:KNAGUMO 2012/09/03 CHKD:KTAKAHASHI 2012/09/06 APPR:KMORIKAWA 2013/03/15	DESCRIPTION	GENERAL TOLERANCES (UNLESS SPECIFIED)		DIMENSION STYLE MM ONLY		SCALE ---	DESIGN UNITS METRIC	THIRD ANGLE PROJECTION	
		10 UNDER	± ---	DRAWN BY KNAGUMO	DATE 2012/09/03	TITLE 0.5MM FPC CONN ZIF R/A HOUSING ASSY (UPPER CONTACT)			
		10 OVER 30 UNDER	± ---	CHECKED BY KTAKAHASHI	DATE 2012/09/06				
		30 OVER	± ---	APPROVED BY KMORIKAWA	DATE 2013/03/15				
0	REV	ANGULAR ± --- °	DRAFT WHERE APPLICABLE MUST REMAIN WITHIN DIMENSIONS	MATERIAL NO. SEE CHART		DOCUMENT NO. SD-54104-083	SHEET NO. 2 OF 2	THIS DRAWING CONTAINS INFORMATION THAT IS PROPRIETARY TO MOLEX INCORPORATED AND SHOULD NOT BE USED WITHOUT WRITTEN PERMISSION	