



Chipsmall Limited consists of a professional team with an average of over 10 year of expertise in the distribution of electronic components. Based in Hongkong, we have already established firm and mutual-benefit business relationships with customers from,Europe,America and south Asia,supplying obsolete and hard-to-find components to meet their specific needs.

With the principle of “Quality Parts,Customers Priority,Honest Operation,and Considerate Service”,our business mainly focus on the distribution of electronic components. Line cards we deal with include Microchip,ALPS,ROHM,Xilinx,Pulse,ON,Everlight and Freescale. Main products comprise IC,Modules,Potentiometer,IC Socket,Relay,Connector.Our parts cover such applications as commercial,industrial, and automotives areas.

We are looking forward to setting up business relationship with you and hope to provide you with the best service and solution. Let us make a better world for our industry!



Contact us

Tel: +86-755-8981 8866 Fax: +86-755-8427 6832

Email & Skype: info@chipsmall.com Web: www.chipsmall.com

Address: A1208, Overseas Decoration Building, #122 Zhenhua RD., Futian, Shenzhen, China



RoHS COMPATIBLE PRODUCT NUMBER
54122-XXXXXXXXXXLF

LEADED PRODUCT NUMBER
54122-XXX-XX-XXXX

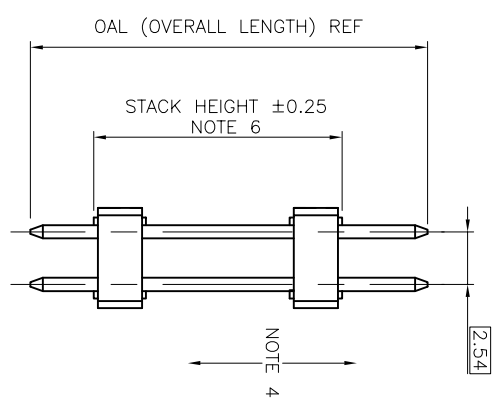
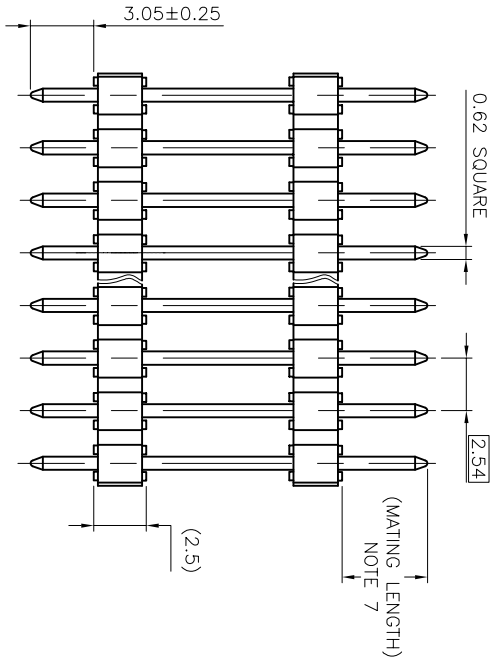
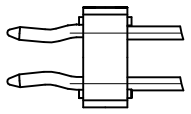
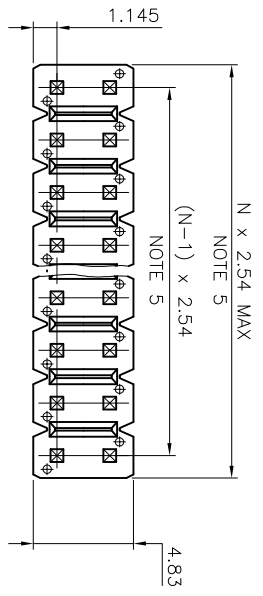
AS AVAILABLE

- PLATING**
- 1 = 0.76µm GOLD/GXT ON CONTACT AREA
2µm MIN MATTE TIN ON TAIL
OVER 1.27µm Ni MIN
 - 8 = 0.38µm GOLD/GXT ON CONTACT AREA
2µm MIN MATTE TIN ON TAIL
OVER 1.27µm Ni MIN
 - 4 = 2µm MIN MATTE TIN
OVER 1.27µm Ni MIN
- INDICATES THE PRODUCT IS ROHS COMPATIBLE SEE NOTE 9
- R : RETENTIVE LEG
 NOTE 8
- STACK HEIGHT, NOTE 6
 TOTAL NB OF POSITIONS
 04 TO 72

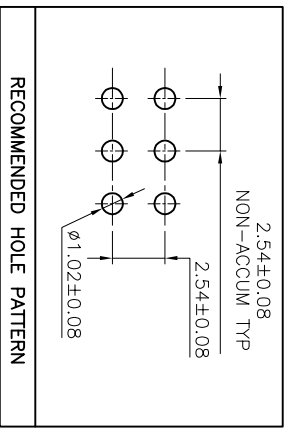
NOTES:

- 1. HOUSING MAT'L : HIGH TEMPERATURE THERMOPLASTIC. UL94V-0 COLOR: BLACK
- 2. PIN MATERIAL : PHOSPHOR BRONZE
- 3. PRODUCT PACKAGED IN PLASTIC BOX
- 4. 9N MIN RETENTION IN EITHER DIRECTION
- 5. TO DETERMINE DIMENSIONS :
N = NUMBER OF POSITIONS PER ROW
EXAMPLE : 8 POS PER ROW, N x 2.54 = 20.32mm
- 6. XXXX = MILLIMETERS
SPECIFY MILLIMETERS
5.0mm MIN TO 60.00mm MAX AVAILABLE
OAL 65.0MM MAX AVAILABLE
EXAMPLE FOR STACK HEIGHT: 1 2 5 0 = 12.5mm
- 7. MATING LENGTH = (OAL)-(3.05)-(STACK HEIGHT)
- 8. RETENTION IS APPLIED TO TWO ADJACENT PINS AT EACH END OF THE PRODUCT SEE SCHEMA 1 OMIT FROM PRODUCT NUMBER IF THIS FEATURE IS NOT APPLICABLE
- 9. ROHS COMPATIBLE PRODUCT SPECIFICATIONS

| OAL | PIN STYLE |
|-------|-----------|
| 12.2 | 01 |
| 13.5 | 02 |
| 15.9 | 03 |
| 16.56 | 15 |
| 17.76 | 04 |
| 18.91 | 05 |
| 20.50 | 28 |
| 20.96 | 07 |
| 22.40 | 19 |
| 23.5 | 08 |
| 26.04 | 09 |
| 26.42 | 14 |
| 28.00 | 18 |
| 28.58 | 10 |
| 30.48 | 20 |
| 31.12 | 11 |
| 32.15 | 21 |
| 33.66 | 12 |
| 34.00 | 13 |
| 36.20 | 16 |
| 37.30 | 22 |
| 38.40 | 23 |
| 42.30 | 24 |
| 43.00 | 25 |
| 47.00 | 26 |
| 52.00 | 27 |



- a - PLATING:
- "LF" MEANS THE PRODUCT IS LEAD-FREE, 2µm MINIMUM MATTE TIN OVER 1.27µm MINIMUM NICKEL UNDERPLATE.
- b - MANUFACTURING PROCESS COMPATIBILITY
- THE HOUSING WILL WITHSTAND EXPOSURE TO 260°C ±5°C SOLDER BATH TEMPERATURE FOR 5 SECONDS IN A WAVE SOLDER APPLICATION WITH A 1.6mm MIN THICK CIRCUIT BOARD.
- c - LABELLING:
- MEETS PACKAGING SPECS AS PER GS-14-920
- d - THIS PRODUCT MEETS EUROPEAN UNION DIRECTIVES AND OTHER COUNTRY REGULATIONS AS DESCRIBED IN GS-47-0004.



| | | | | |
|-------------------------|---------------------------------------|------------------|--------------|----------------|
| mat'l. code | surface | tolerance | projection | product family |
| SEE NOTES | ISO 1302 | ISO 406 ISO 1101 | mm | BERGSTIK |
| tr ecn no dr date | tolerances unless otherwise specified | xxx ±0.3 | mm | title |
| H F08-0148 RRR 08.03.31 | angles | linear xxx ±0.13 | scale 4:1 | UNSHR.HEADER |
| J F10-0252JCO 10.11.30 | linear xxx ±0.13 | xxx ±0.05 | | STR DR TMT |
| K F11-0034LMU 11.03.03 | DLE | 01.01.24 | dwg no | 54122 |
| L B-15673 LMU 13.02.14 | engf | JM.C | sheet 1 of 1 | A3 |
| F F04-0388 LMU 04.12.16 | ch | JM.C | size | |
| G F06-0198 LMU 06.06.13 | appd | JF.N | Drawing | |
| sheet revision | | | | |
| index sheet | | | | |