



Chipsmall Limited consists of a professional team with an average of over 10 year of expertise in the distribution of electronic components. Based in Hongkong, we have already established firm and mutual-benefit business relationships with customers from,Europe,America and south Asia,supplying obsolete and hard-to-find components to meet their specific needs.

With the principle of "Quality Parts,Customers Priority,Honest Operation,and Considerate Service",our business mainly focus on the distribution of electronic components. Line cards we deal with include Microchip,ALPS,ROHM,Xilinx,Pulse,ON,Everlight and Freescale. Main products comprise IC,Modules,Potentiometer,IC Socket,Relay,Connector.Our parts cover such applications as commercial,industrial, and automotives areas.

We are looking forward to setting up business relationship with you and hope to provide you with the best service and solution. Let us make a better world for our industry!



## Contact us

Tel: +86-755-8981 8866 Fax: +86-755-8427 6832

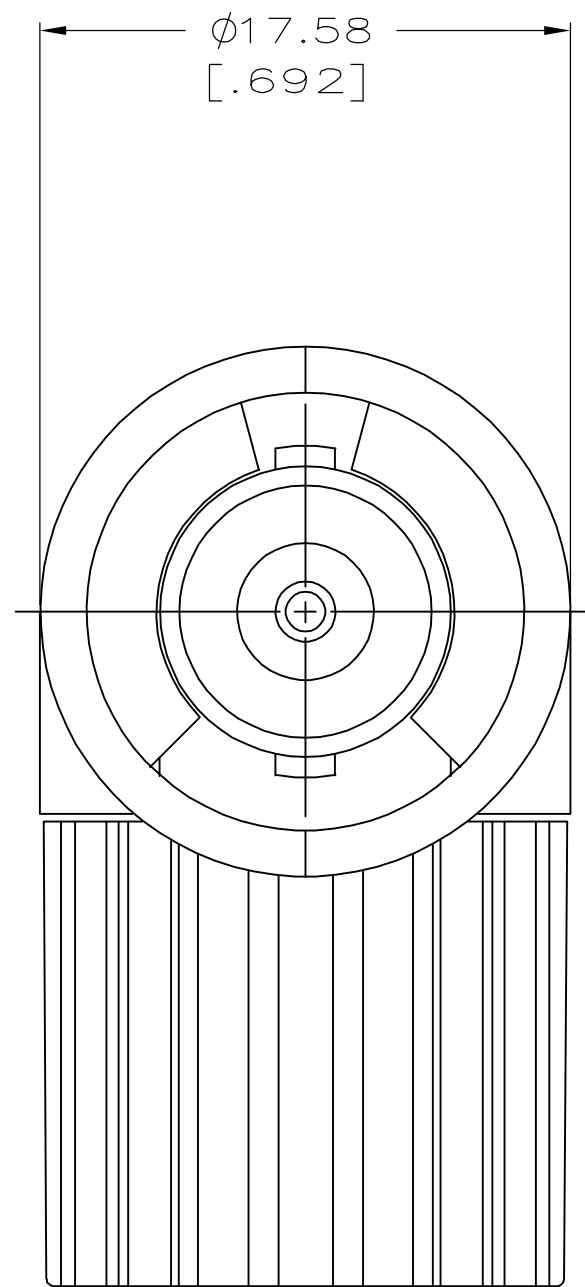
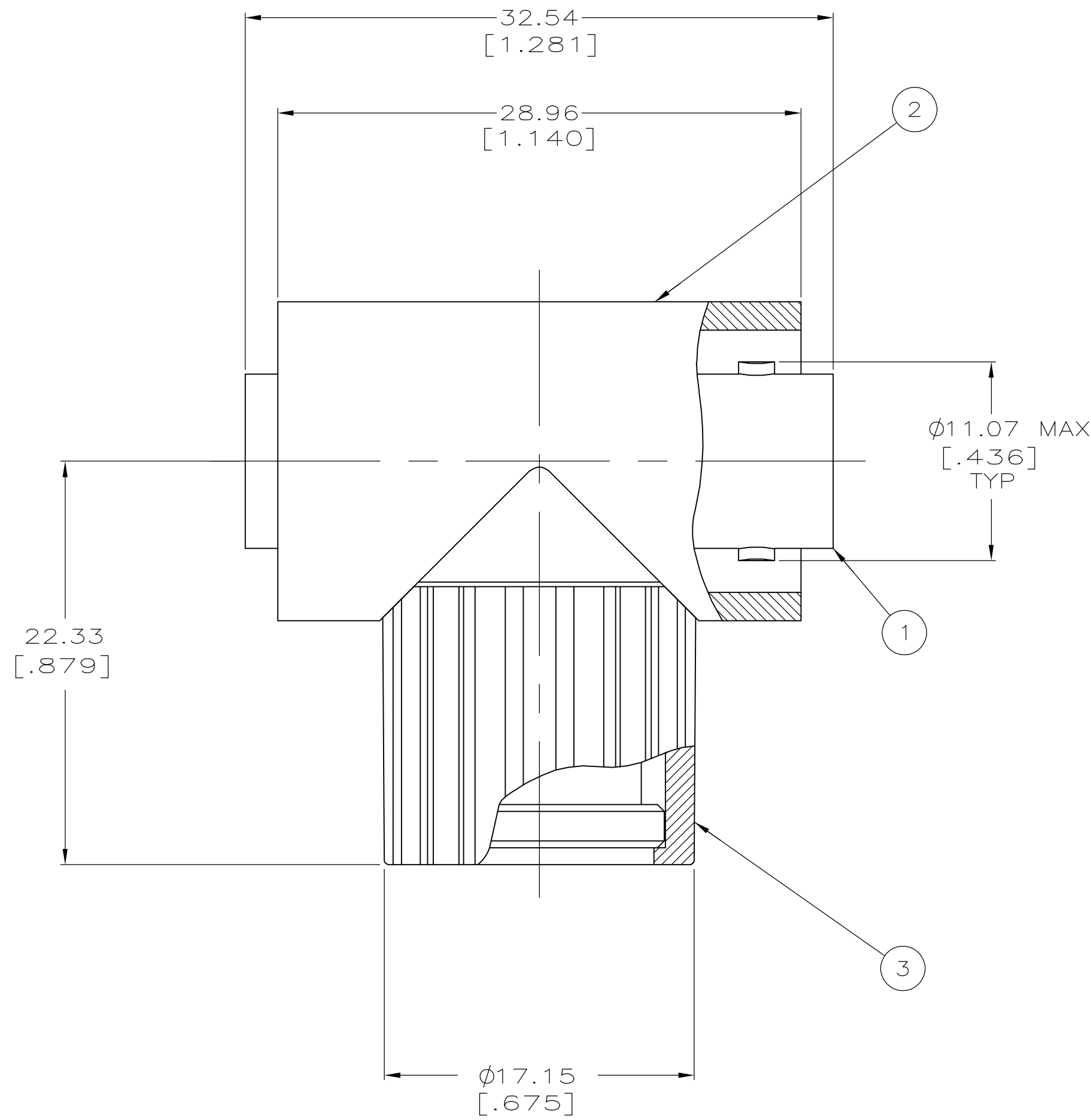
Email & Skype: info@chipsmall.com Web: www.chipsmall.com

Address: A1208, Overseas Decoration Building, #122 Zhenhua RD., Futian, Shenzhen, China



THIS DRAWING IS UNPUBLISHED. RELEASED FOR PUBLICATION  
 © COPYRIGHT BY TYCO ELECTRONICS CORPORATION. ALL RIGHTS RESERVED.

LOC	DIST	REVISIONS				GV	KW
		P	LTR	DESCRIPTION	DATE	DWN	APVD
AJ	16	A		REVISED PER 0514-0150-05	11NOV2005	REH	JL



- 1 MATERIAL: POLYPHENYLENE OXIDE.
- 2 COLOR: GRAY.

1 2	1 2	5413592-6	5413366-2
3 INSULATOR CAP	2 INSULATOR	1 T-ADAPTER ASSEMBLY	PART NUMBER

THIS DRAWING IS A CONTROLLED DOCUMENT.		DWN J. HAVENER 28OCT2005	Tyco Electronics Corporation Harrisburg, PA 17105-3608	
DIMENSIONS: mm [INCHES]		CHK J. HAVENER 28OCT2005		
TOLERANCES UNLESS OTHERWISE SPECIFIED:		APVD J. LIPPERT 28OCT2005	NAME T-ADAPTER, INSULATED, SERIES BNC	
0 PLC ± - 1 PLC ± - 2 PLC ± 0.51 [.020] 3 PLC ± - 4 PLC ± - ANGLES ± - FINISH -		PRODUCT SPEC 108-12090	SIZE A2	CAGE CODE 00779
MATERIAL -		WEIGHT -	DRAWING NO C=5413366	RESTRICTED TO -
CUSTOMER DRAWING			SCALE 4:1	SHEET 1 of 1
			REV A	