



Chipsmall Limited consists of a professional team with an average of over 10 year of expertise in the distribution of electronic components. Based in Hongkong, we have already established firm and mutual-benefit business relationships with customers from,Europe,America and south Asia,supplying obsolete and hard-to-find components to meet their specific needs.

With the principle of “Quality Parts,Customers Priority,Honest Operation,and Considerate Service”,our business mainly focus on the distribution of electronic components. Line cards we deal with include Microchip,ALPS,ROHM,Xilinx,Pulse,ON,Everlight and Freescale. Main products comprise IC,Modules,Potentiometer,IC Socket,Relay,Connector.Our parts cover such applications as commercial,industrial, and automotives areas.

We are looking forward to setting up business relationship with you and hope to provide you with the best service and solution. Let us make a better world for our industry!



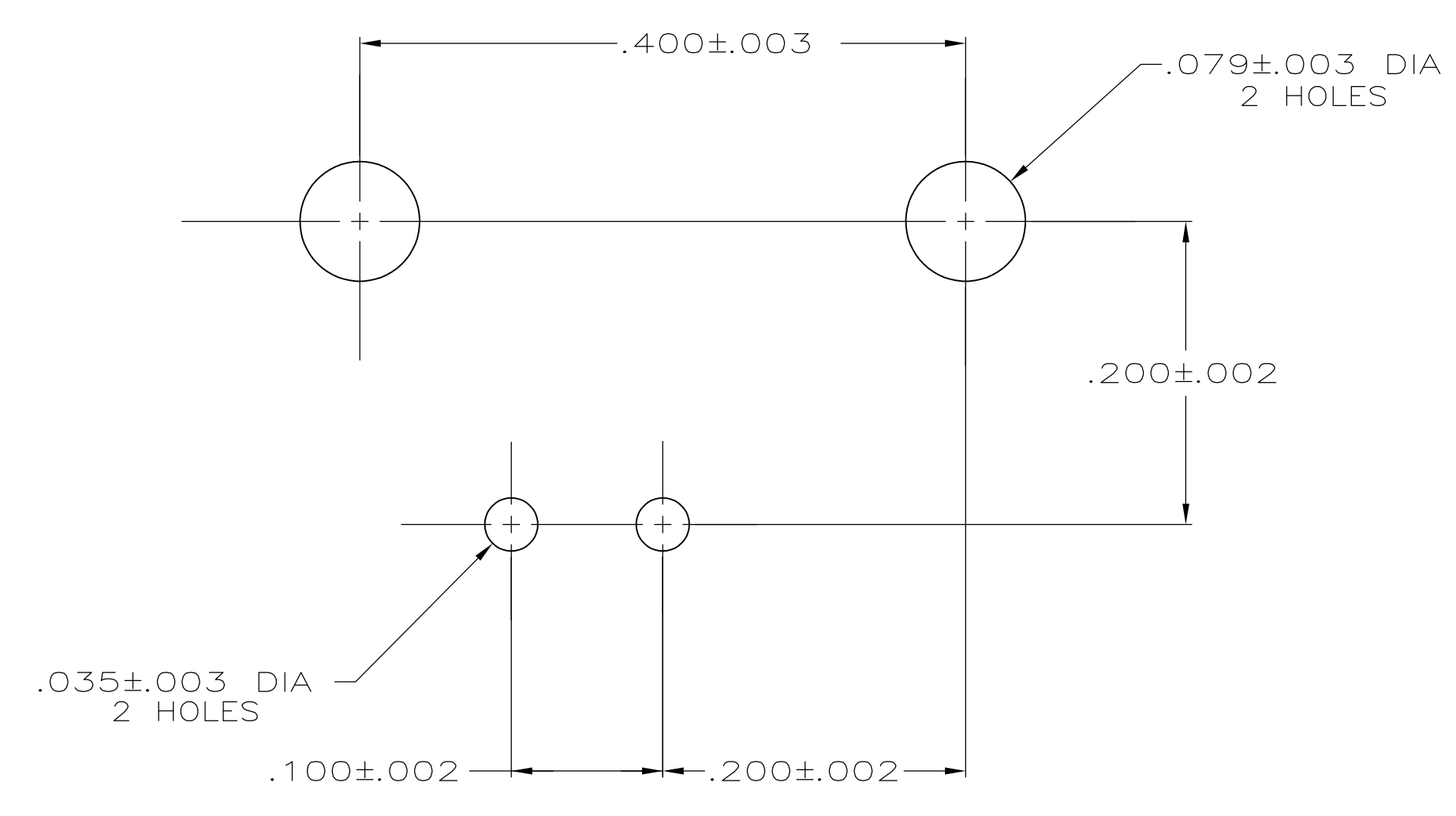
Contact us

Tel: +86-755-8981 8866 Fax: +86-755-8427 6832

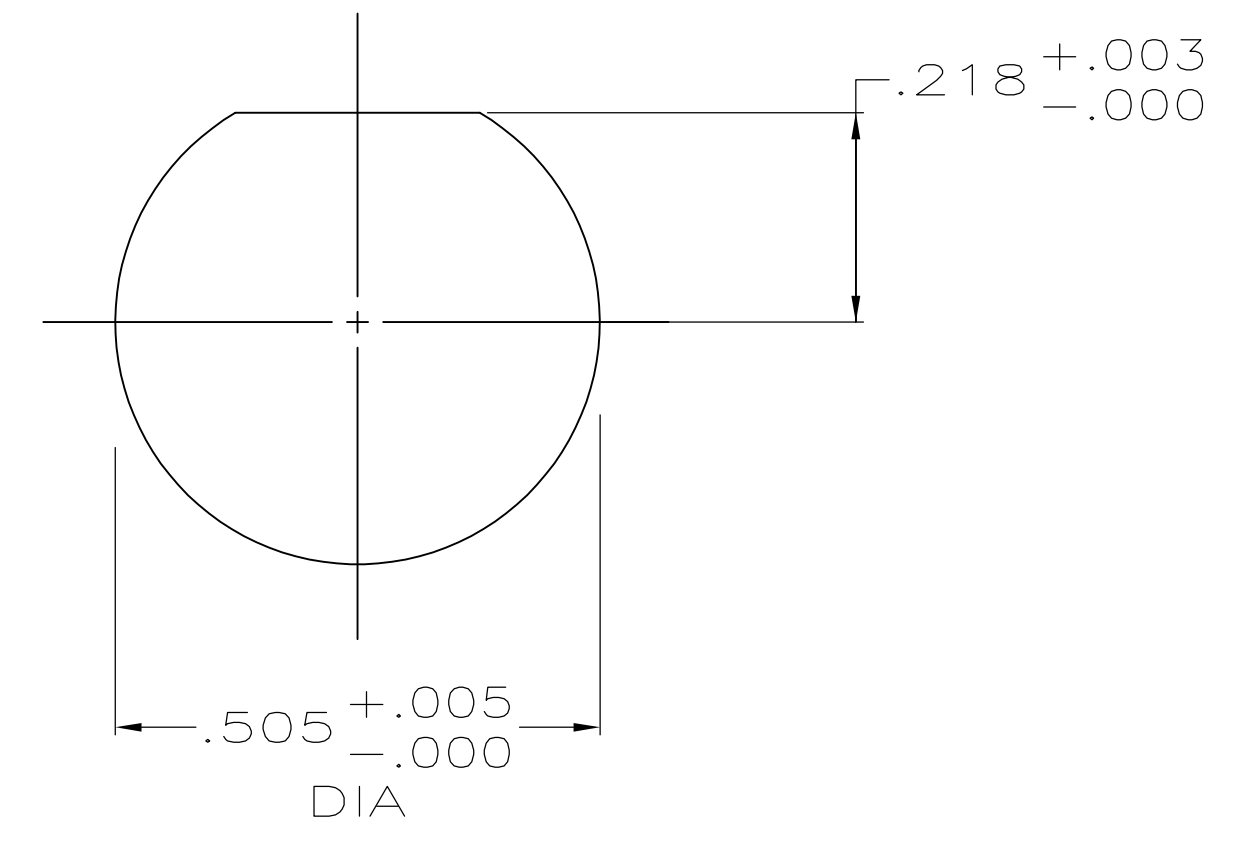
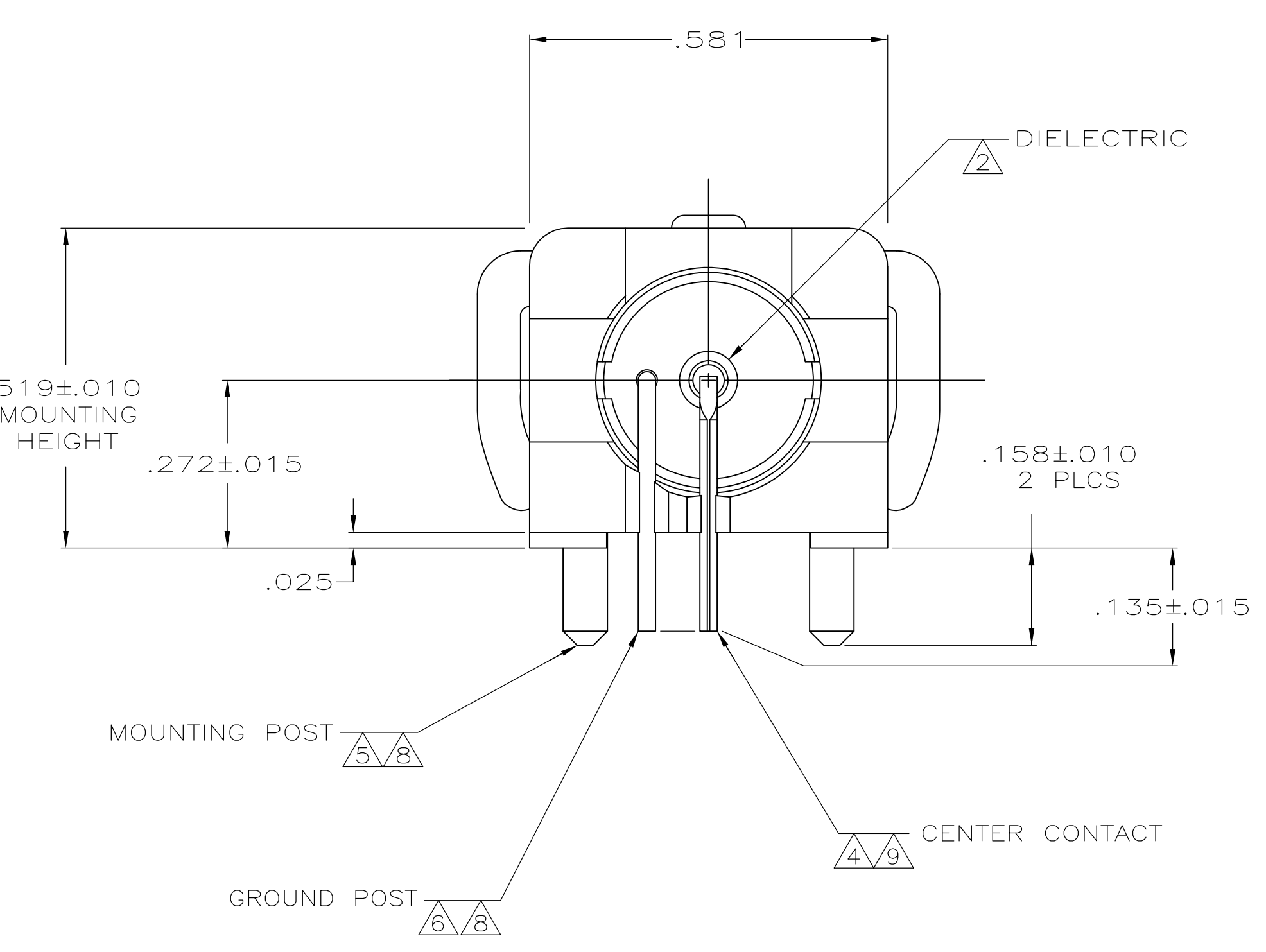
Email & Skype: info@chipsmall.com Web: www.chipsmall.com

Address: A1208, Overseas Decoration Building, #122 Zhenhua RD., Futian, Shenzhen, China

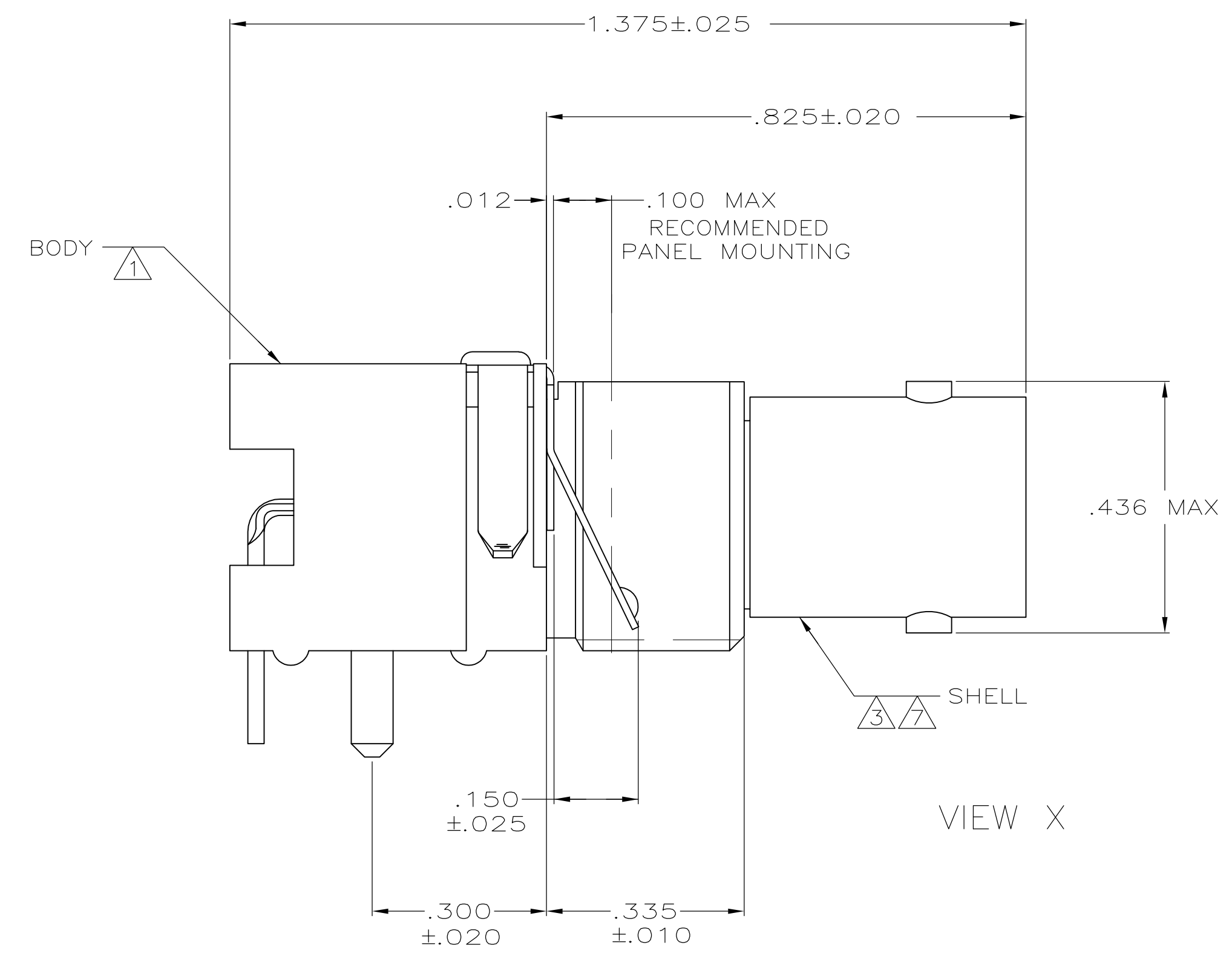
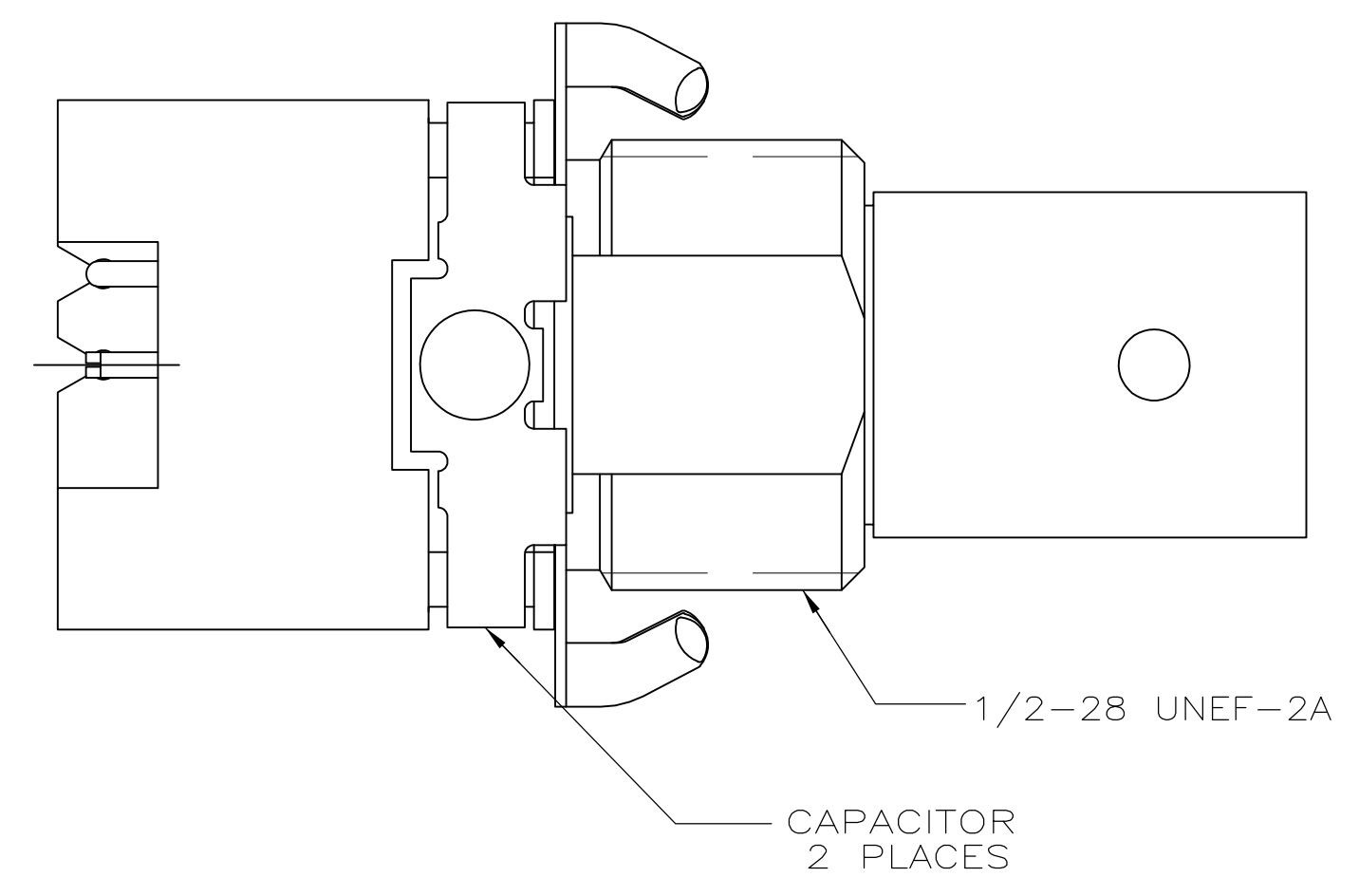




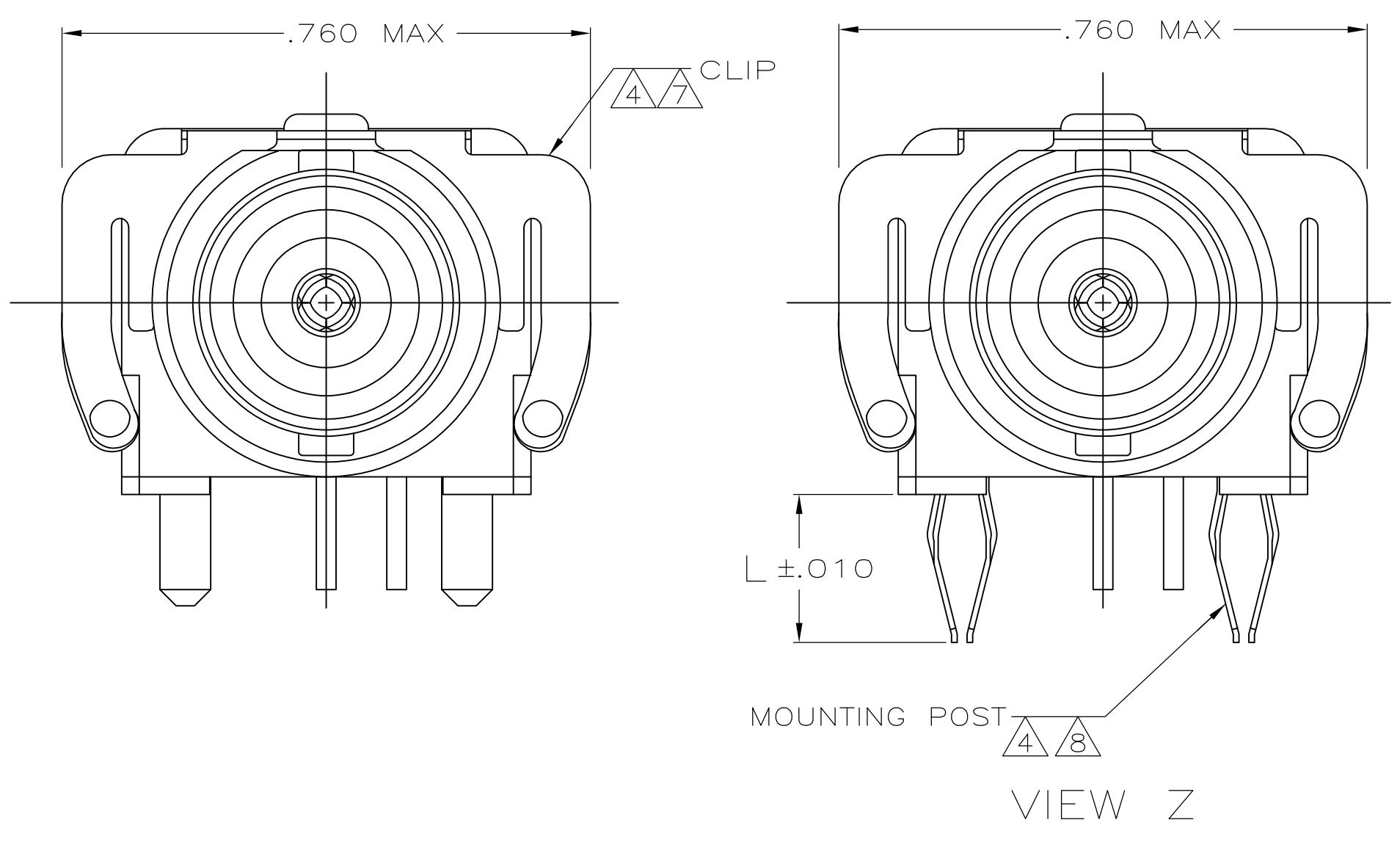
P.C.B. CONFIGURATION
SCALE=10:1



RECOMMENDED PANEL CUTOUT



VIEW X



VIEW Z

- 1 POLYESTER, PBT, BLACK, PER MIL-M-24519.
- 2 POLYMETHYLPENTENE GENERAL PURPOSE.
- 3 ZINC PER QQ-Z-363.
- 4 PHOSPHOR BRONZE PER QQ-B-750.
- 5 BRASS PER QQ-B-626.
- 6 BRASS PER ASTM-B-453.
- 7 NICKEL PL PER QQ-N-290.
- 8 TIN PLATE PER ASTM-B-545.
- 9 SELECTIVELY GOLD PLATED ON INTERFACE AREA PER MIL-G-45204, .000030 THK, TIN PLATED ON SOLDER TAIL PER ASTM-B-545, ALL OVER NICKEL PL PER QQ-N-290.
- 10 TRAY PACKAGING.
- 11 OBSOLETE PARTS: OBSOLETE CIS STREAMLINING PER D.RENAUD/D.SINISI

11	OBSOLETE	-	VIEW X	9400 pf, 1500 VDC	-1-5413515-2
		.110	VIEW Z	9400 pf, 1500 VDC	5413515-9
		.185	VIEW Z	9400 pf, 1500 VDC	5413515-8
		.110	VIEW Z	7900 pf, 1600 VDC	5413515-7
11	OBSOLETE	-	VIEW X	20000 pf, 500 VDC	-5413515-3
		-	VIEW X	9400 pf, 1500 VDC	5413515-2
L		MOUNTING POST	CAPACITANCE & VOLTAGE	PART NO	

THIS DRAWING IS A CONTROLLED DOCUMENT.

DIMENSIONS: INCHES	TOLERANCES UNLESS OTHERWISE SPECIFIED:	DIN L VARELA - 22APR2005	TE Connectivity
0 PLC ± - 1 PLC ± - 2 PLC ± - 3 PLC ± .008 4 PLC ± - ANGLES ± -	FINISH: 1, 6, 7, 8, 9	CJK J. HAVENER APVD J. LIPPERT PRODUCT SPEC 108-1269 APPLICATION SPEC	
MATERIAL THRU	FINISH	SIZE CAGE CODE DRAWING NO	RESTRICTED TO
1	6	WEIGHT A1 00779 5413515	
CUSTOMER DRAWING		SCALE 4:1 SHEET 1 of 1	REV C2