



Chipsmall Limited consists of a professional team with an average of over 10 year of expertise in the distribution of electronic components. Based in Hongkong, we have already established firm and mutual-benefit business relationships with customers from,Europe,America and south Asia,supplying obsolete and hard-to-find components to meet their specific needs.

With the principle of “Quality Parts,Customers Priority,Honest Operation,and Considerate Service”,our business mainly focus on the distribution of electronic components. Line cards we deal with include Microchip,ALPS,ROHM,Xilinx,Pulse,ON,Everlight and Freescale. Main products comprise IC,Modules,Potentiometer,IC Socket,Relay,Connector.Our parts cover such applications as commercial,industrial, and automotives areas.

We are looking forward to setting up business relationship with you and hope to provide you with the best service and solution. Let us make a better world for our industry!



Contact us

Tel: +86-755-8981 8866 Fax: +86-755-8427 6832

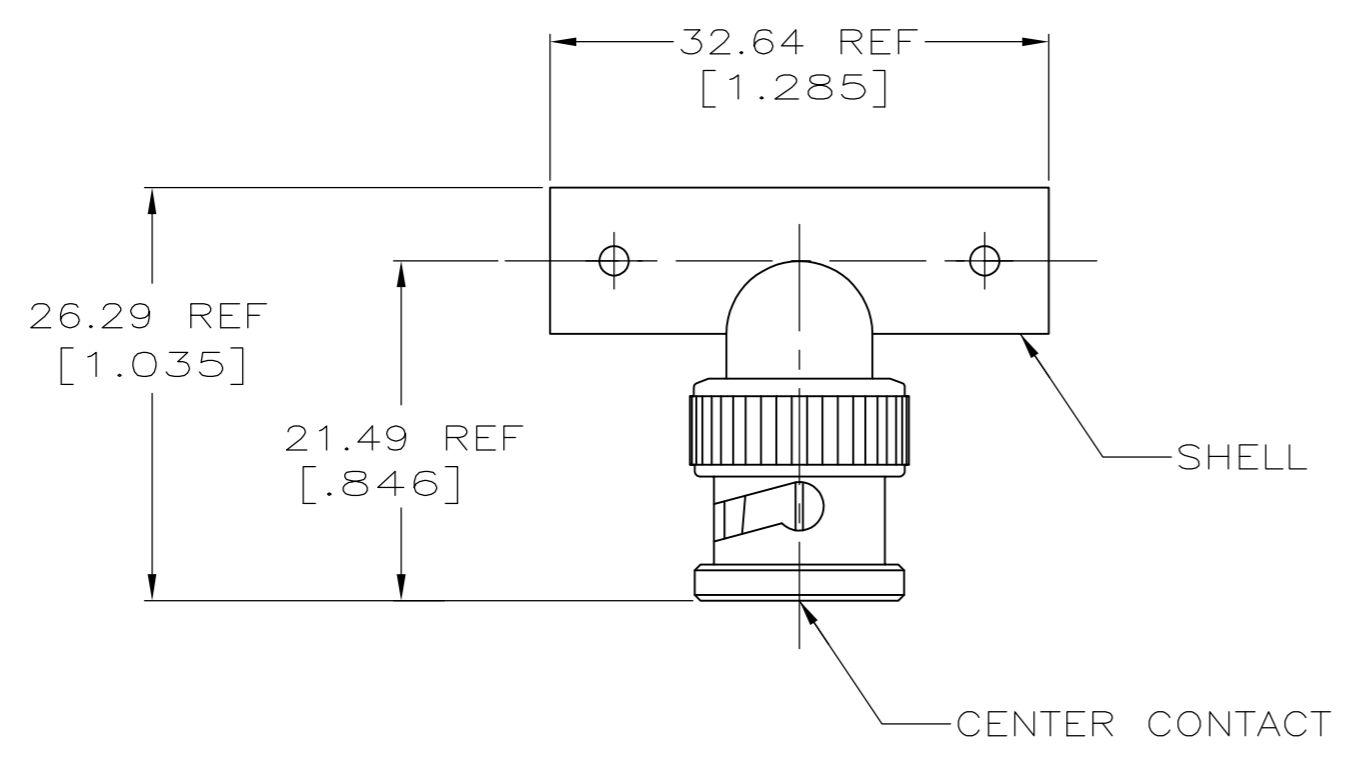
Email & Skype: info@chipsmall.com Web: www.chipsmall.com

Address: A1208, Overseas Decoration Building, #122 Zhenhua RD., Futian, Shenzhen, China



THIS DRAWING IS UNPUBLISHED. RELEASED FOR PUBLICATION
 © COPYRIGHT BY TYCO ELECTRONICS CORPORATION. ALL RIGHTS RESERVED.

LOC	DIST	REVISIONS					
		P	LTR	DESCRIPTION	DATE	DWN	APVD
AJ	16		A	REVISED PER EC OS14-0150-05	01JULY05	BM	JL
			A1	REVISED PER ECO-09-024927	18DEC09	KK	AEG



- 1 DIELECTRIC : DELRIN/POLYMETHYLPENTENE
 PLUG CENTER CONTACT : BRASS
 PLUG OUTER CONTACT : BRASS
 SHELL : ZINC
- 2 NICKEL PLATE .000120" MINIMUM THICK
- 3. INTERMATEABLE WITH PRODUCT PER MIL-C-39012
- 4 SILVER PLATE .000200" MINIMUM THICK
 OVER .000050 MINIMUM THICK NICKEL.
- 5 PHOSPHOR BRONZE
- 6 BERYLLIUM COPPER
- 7 BULK PACKAGED: 25 PCS PER BAG
- 8 BULK PACKAGED: 5 PCS PER BOX
- 9 INDIVIDUALLY PACKAGED
- 10 BULK PACKAGED: 100 PCS PER BAG.
- 11 INDIVIDUALLY PACKAGED FOR NETCON.
- 12 GOLD PLATE, .000015 MINIMUM THICK
 OVER .000050 MINIMUM THICK NICKEL.
- 13 GOLD PLATE, .000030 MINIMUM THICK
 OVER .000050 MINIMUM THICK NICKEL.
- 14 OBSOLETE PARTS: OBSOLETE CIS STREAMLINING
 PER D.RENAUD/D.SINISI

8	14	OBSOLETE	5	2	4	1-5413592-5
9	14	OBSOLETE	6	2	4	1-5413592-1
11			5	2	12	5413592-9
10			6	2	13	5413592-6
10			5	2	12	5413592-2

MATERIAL: JACK CENTER CONTACT	SHELL PLATING	CONTACT PLATING	PART NO
-------------------------------	---------------	-----------------	---------

THIS DRAWING IS A CONTROLLED DOCUMENT.		DWN L. VARELA - DOCK5 22APR2005	Tyco Electronics Corporation Harrisburg, Pa 17105-3608	
DIMENSIONS: mm [INCHES]		CHK J. HAVENER 22APR2005	NAME T-ADAPTER SERIES BNC	
TOLERANCES UNLESS OTHERWISE SPECIFIED:		APVD J. LIPPERT 22APR2005	PRODUCT SPEC 108-12090	
0 PLC ± -		APPLICATION SPEC -		
1 PLC ± -		SIZE A2		
2 PLC ± -		CAGE CODE 00779		
3 PLC ± -		DRAWING NO C=5413592		
4 PLC ± -		RESTRICTED TO -		
ANGLES ± -		SCALE 2:1		
MATERIAL 1 5 6		SHEET 1 OF 1		
FINISH 2 4 12 13		REV A1		
CUSTOMER DRAWING				