



Chipsmall Limited consists of a professional team with an average of over 10 year of expertise in the distribution of electronic components. Based in Hongkong, we have already established firm and mutual-benefit business relationships with customers from,Europe,America and south Asia,supplying obsolete and hard-to-find components to meet their specific needs.

With the principle of “Quality Parts,Customers Priority,Honest Operation,and Considerate Service”,our business mainly focus on the distribution of electronic components. Line cards we deal with include Microchip,ALPS,ROHM,Xilinx,Pulse,ON,Everlight and Freescale. Main products comprise IC,Modules,Potentiometer,IC Socket,Relay,Connector.Our parts cover such applications as commercial,industrial, and automotives areas.

We are looking forward to setting up business relationship with you and hope to provide you with the best service and solution. Let us make a better world for our industry!



Contact us

Tel: +86-755-8981 8866 Fax: +86-755-8427 6832

Email & Skype: info@chipsmall.com Web: www.chipsmall.com

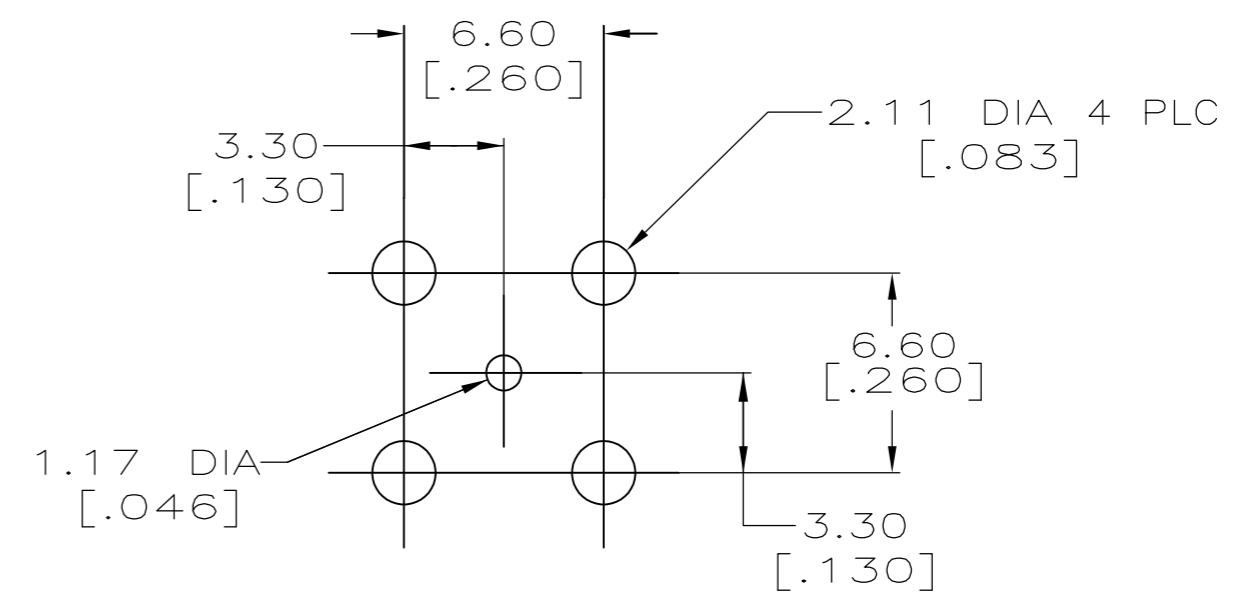
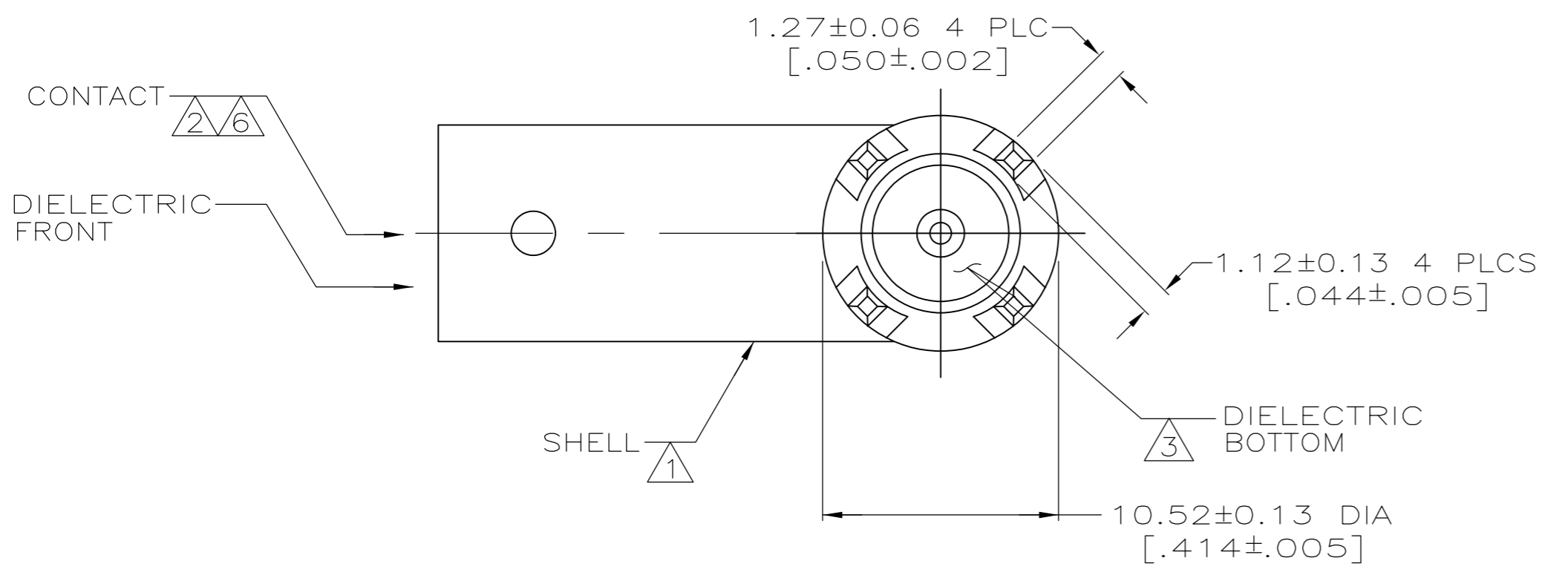
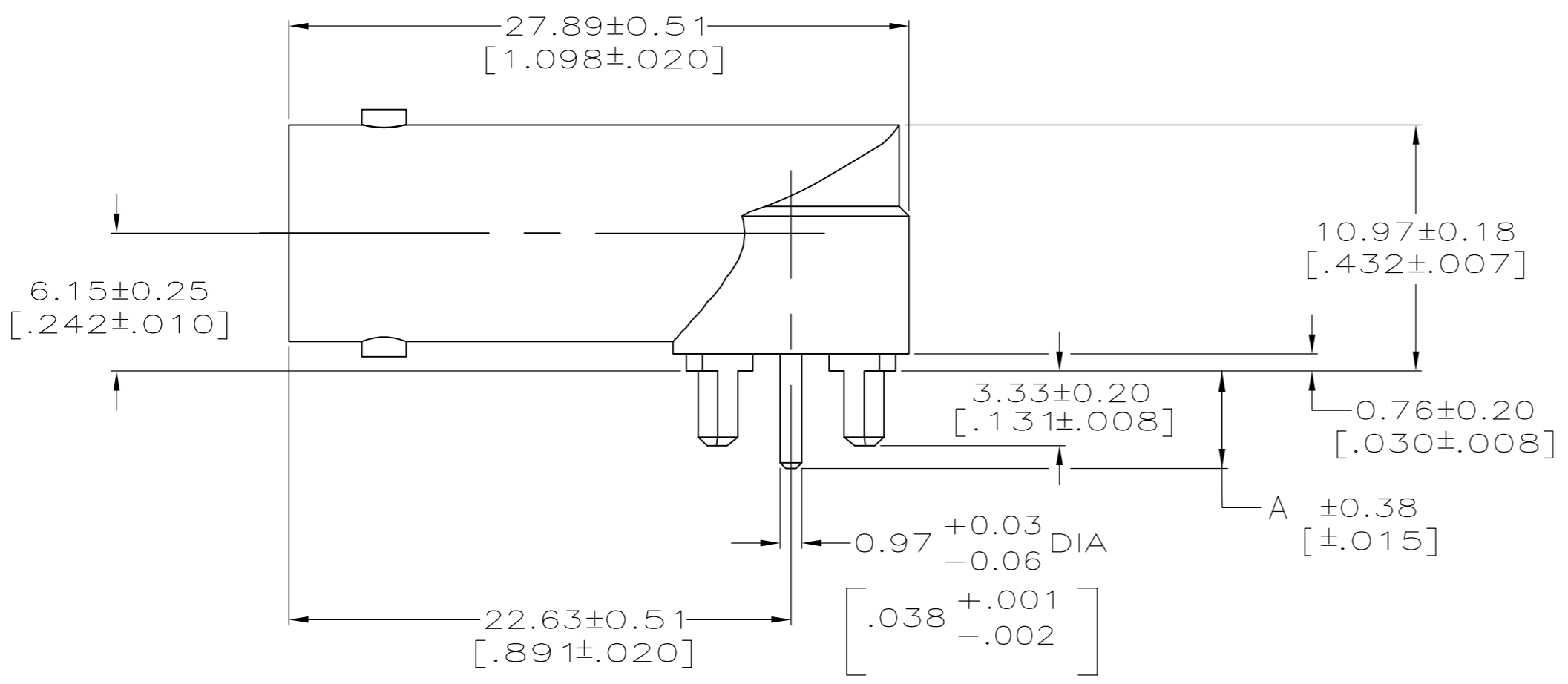
Address: A1208, Overseas Decoration Building, #122 Zhenhua RD., Futian, Shenzhen, China



THIS DRAWING IS UNPUBLISHED. RELEASED FOR PUBLICATION
 © COPYRIGHT - By - ALL RIGHTS RESERVED.

LOC	DIST	REVISIONS					
		P	LTR	DESCRIPTION	DATE	DWN	APVD
AJ	00		B3	REVISED PER ECO-11-005030	11MAR11	RK	HMR
			C	ECO-12-018113	27DEC2012	TD	MY

- ① ZINC PER QQ-Z-363.
- ② BERYLLIUM COPPER PER QQ-C-530.
- ③ PTFE PER MIL-P-19468.
- ④ NICKEL PLATE PER QQ-N-290, 3.81µm [.000150] MINIMUM THICK.
- ⑤ TIN PLATE PER ASTM-B-545, 3.04µm [.000120] MINIMUM THICK OVER NICKEL PLATE PER MIL-C-26074, 7.62µm [.000300] MINIMUM THICK.
- ⑥ GOLD PLATE PER MIL-G-45204, 1.27µm [.000050] MINIMUM THICK.
- ⑦ INTERFACE PER MIL-C-39012.
- ⑧ POLYMETHYLPENTENE, GENERAL PURPOSE



PCB CONFIGURATION

OBSOLETE	3.33 [.131]	④	⑤	5413631-5
	3.33 [.131]	④	⑧	5413631-3
	4.34 [.171]	⑤	③	5413631-2
	4.34 [.171]	④	⑧	5413631-1
	A	FINISH: SHELL	MATERIAL: DIELECTRIC, FRONT	PART NUMBER

THIS DRAWING IS A CONTROLLED DOCUMENT.		DWN B.MCMASTER 03JAN05	STE TE Connectivity	
DIMENSIONS: INCHES		CHK J.LIPPERT 03JAN05		
TOLERANCES UNLESS OTHERWISE SPECIFIED:		APVD J.LIPPERT 03JAN05	NAME JACK, RIGHT ANGLE, PCB, 50 OHM, SERIES BNC	
0 PLC ± -		PRODUCT SPEC	SIZE A2	
1 PLC ± -		APPLICATION SPEC	CAGE CODE 00779	
2 PLC ± 0.08 [.003]			DRAWING NO C=5413631	
3 PLC ± -			RESTRICTED TO	
4 PLC ± -			SCALE 4:1	
ANGLES ± -			SHEET 1 of 1	
MATERIAL SEE NOTES 1-3		FINISH SEE NOTES 4-6	REV C	
WEIGHT -		CUSTOMER DRAWING		