



Chipsmall Limited consists of a professional team with an average of over 10 year of expertise in the distribution of electronic components. Based in Hongkong, we have already established firm and mutual-benefit business relationships with customers from,Europe,America and south Asia,supplying obsolete and hard-to-find components to meet their specific needs.

With the principle of “Quality Parts,Customers Priority,Honest Operation,and Considerate Service”,our business mainly focus on the distribution of electronic components. Line cards we deal with include Microchip,ALPS,ROHM,Xilinx,Pulse,ON,Everlight and Freescale. Main products comprise IC,Modules,Potentiometer,IC Socket,Relay,Connector.Our parts cover such applications as commercial,industrial, and automotives areas.

We are looking forward to setting up business relationship with you and hope to provide you with the best service and solution. Let us make a better world for our industry!



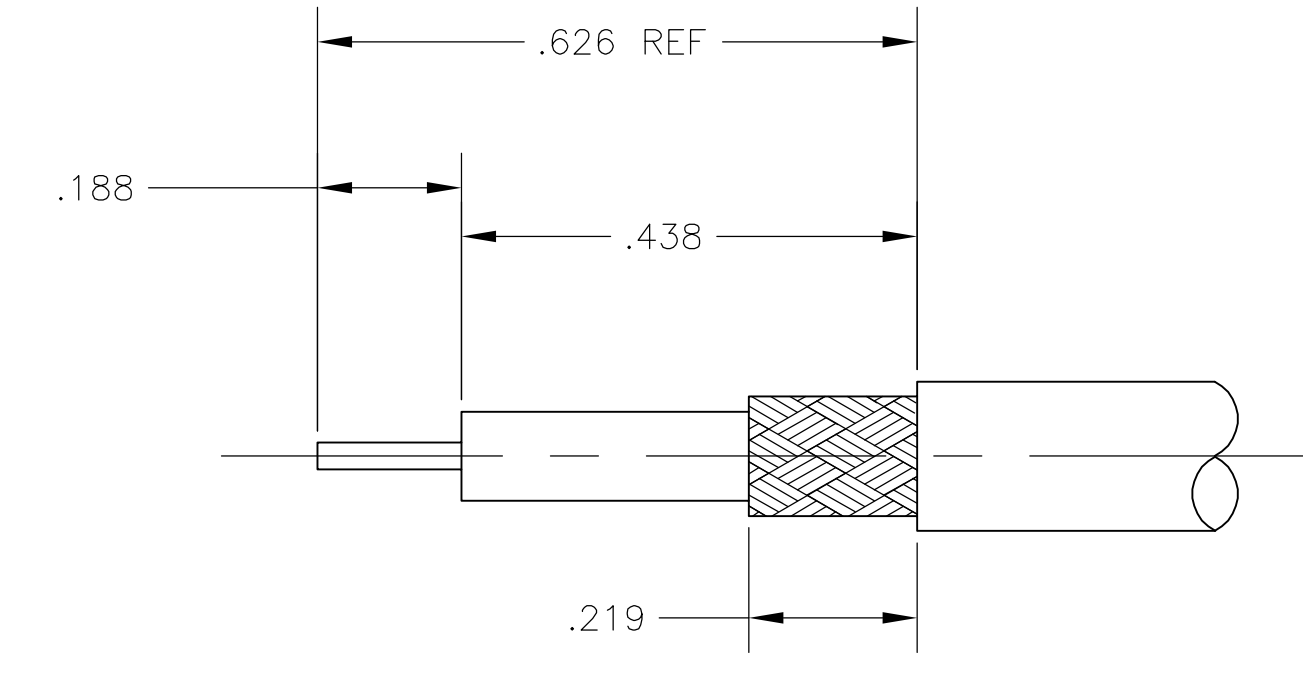
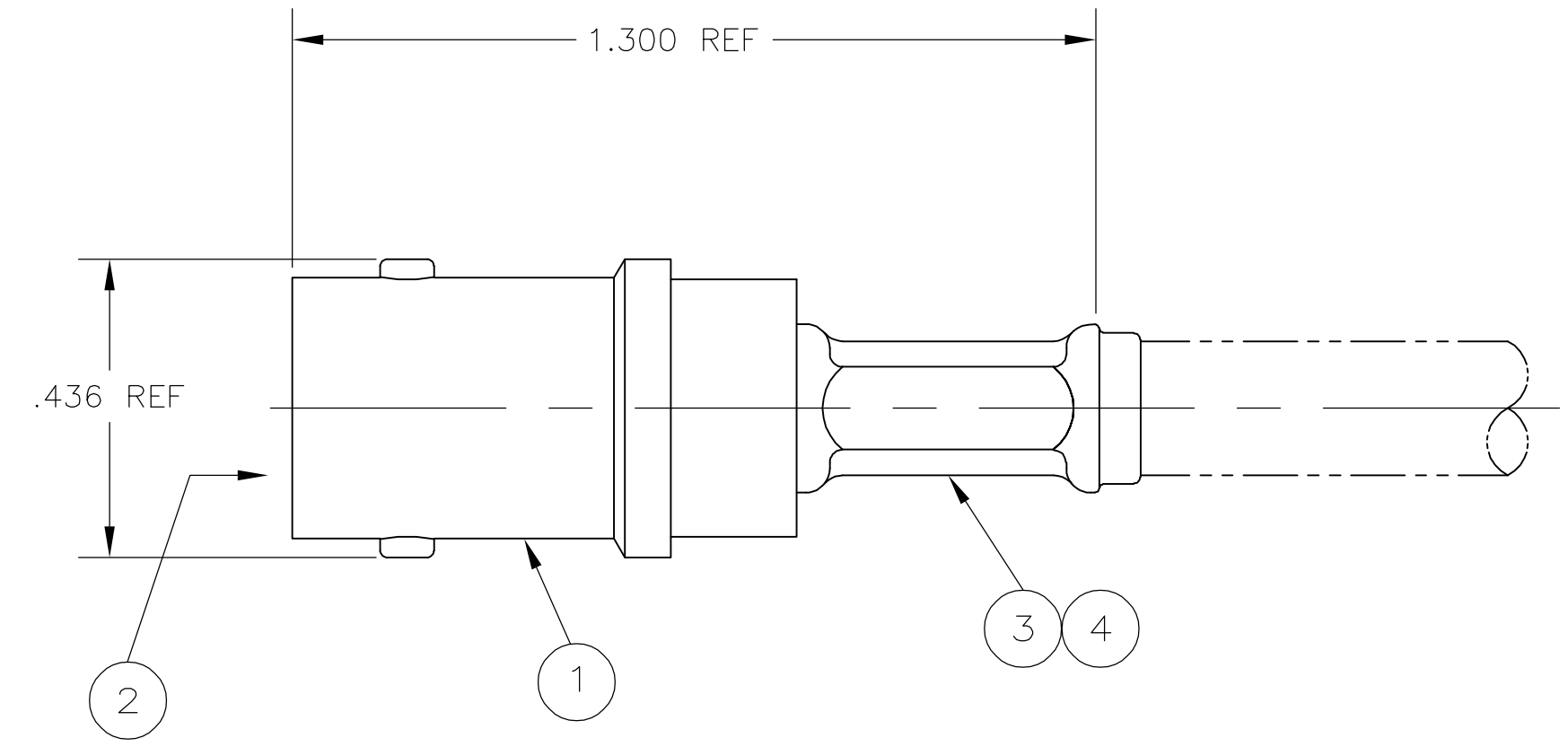
Contact us

Tel: +86-755-8981 8866 Fax: +86-755-8427 6832

Email & Skype: info@chipsmall.com Web: www.chipsmall.com

Address: A1208, Overseas Decoration Building, #122 Zhenhua RD., Futian, Shenzhen, China





RECOMMENDED STRIP LENGTH

- 1. USE WITH PRO-CRIMPER 354940-1.
- 2. SEE INSTRUCTION SHEET 408-9778.

RG-179/U, 179A/U, 179B/U, 187/U & 187A/U	.068	.178	58436-3	21427-2	9-413658-0	2-413774-0	413780-3	5413779-4
RG-174/U, 188/U & 316/U	.068	.178	58436-3	21427-2	9-413658-0	1-413774-5	413780-3	5413779-3
FOR USE WITH CABLE	CONTACT CRIMP (HEX)	FERRULE CRIMP	DIE SET	TUBING QTY=1	FERRULE QTY=1	CONTACT QTY=1	JACK ASSEMBLY QTY=1	PART NUMBER

THIS DRAWING IS A CONTROLLED DOCUMENT.

DIMENSIONS: INCHES	TOLERANCES UNLESS OTHERWISE SPECIFIED:	DWN: A. FERNANDEZ-DOCKIS	22APR2005		Tyco Electronics Corporation Harrisburg, Pa 17105-3608
	0 PLC ± - 1 PLC ± - 2 PLC ± - 3 PLC ± - 4 PLC ± - ANGLES ± - FINISH -	CHK: J. HAVENER	22APR2005		NAME: J. LIPPERT
MATERIAL: -	FINISH: -	PRODUCT SPEC: -	APPLICATION SPEC: -	SIZE: A1	CAGE CODE: 00779
CUSTOMER DRAWING		WEIGHT: -	SCALE: 4:1	DRAWING NO: 5413779	RESTRICTED TO: -
		SHEET 1 OF 1		REV 0	