



Chipsmall Limited consists of a professional team with an average of over 10 year of expertise in the distribution of electronic components. Based in Hongkong, we have already established firm and mutual-benefit business relationships with customers from,Europe,America and south Asia,supplying obsolete and hard-to-find components to meet their specific needs.

With the principle of "Quality Parts,Customers Priority,Honest Operation,and Considerate Service",our business mainly focus on the distribution of electronic components. Line cards we deal with include Microchip,ALPS,ROHM,Xilinx,Pulse,ON,Everlight and Freescale. Main products comprise IC,Modules,Potentiometer,IC Socket,Relay,Connector.Our parts cover such applications as commercial,industrial, and automotives areas.

We are looking forward to setting up business relationship with you and hope to provide you with the best service and solution. Let us make a better world for our industry!



Contact us

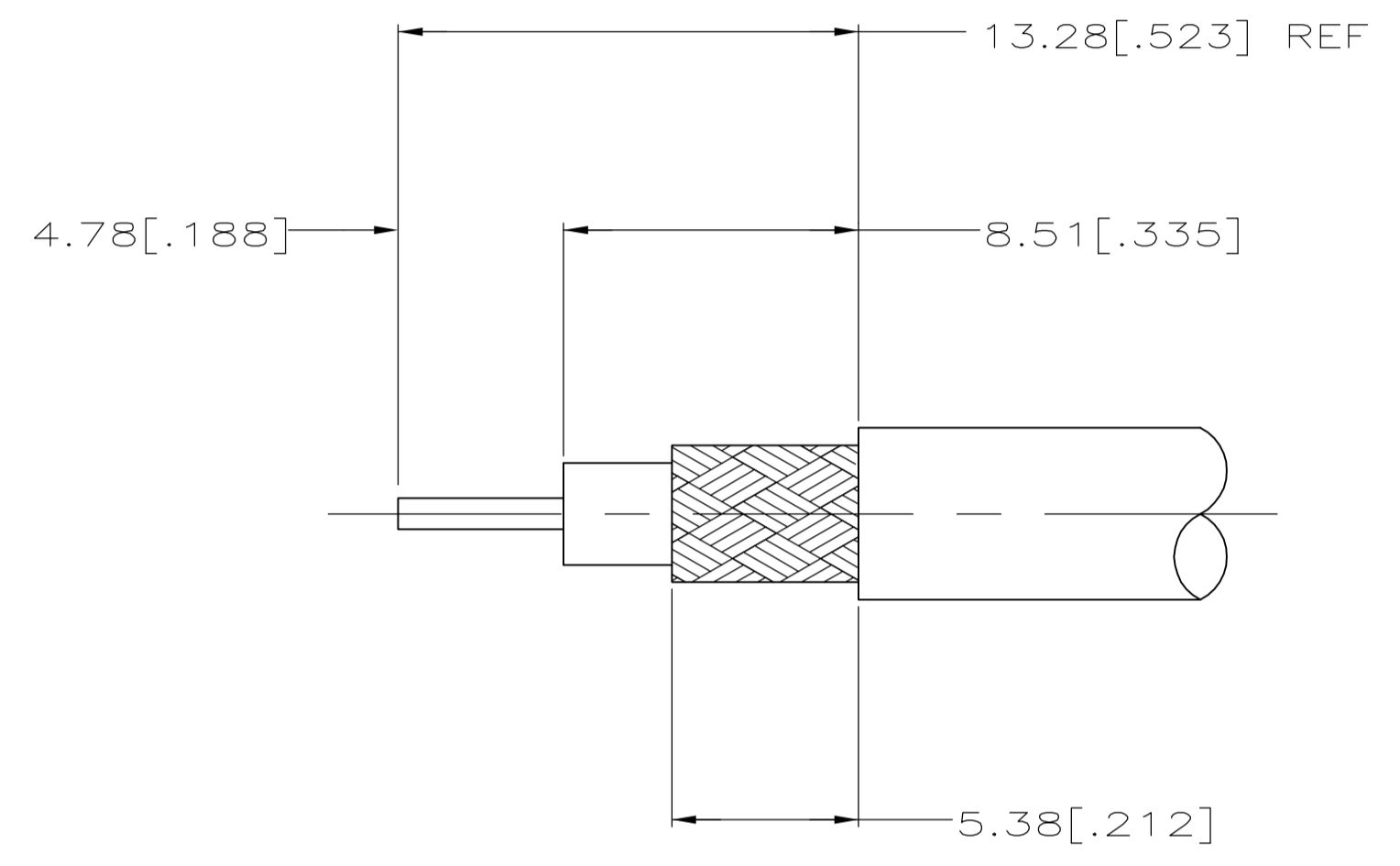
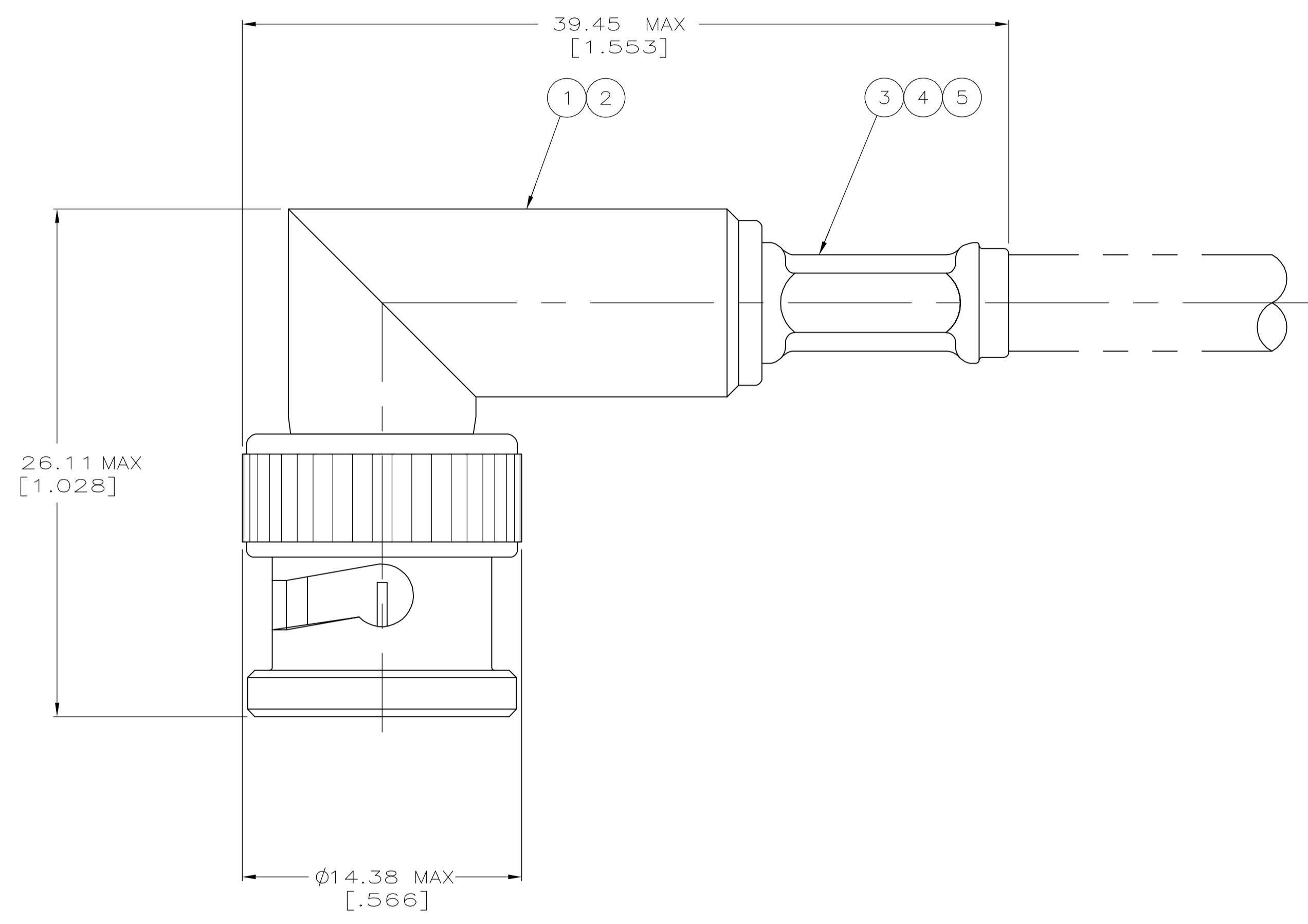
Tel: +86-755-8981 8866 Fax: +86-755-8427 6832

Email & Skype: info@chipsmall.com Web: www.chipsmall.com

Address: A1208, Overseas Decoration Building, #122 Zhenhua RD., Futian, Shenzhen, China



1. USE WITH HAND TOOL 354940-1.
 2. SEE INSTRUCTION SHEET 408-9778.



RECOMMENDED STRIP LENGTH

BELDEN YR15492	1.73 [.068]	5.41 [.213]	58436-1	-	8-221132-9	413774-5	413960-1	5413959-8
RG-141/U, BELDEN 9907 & 89907	1.73 [.068]	5.41 [.213]	58436-1	-	9-221132-0	2-413774-5	413960-1	5413959-6
RG-180/U & 195/U	1.73 [.068]	4.52 [.178]	58436-3	-	9-413658-1	2-413774-0	413960-3	5413959-5
RG-179/U & 187/U	1.73 [.068]	4.52 [.178]	58436-3	227194-1	9-413658-0	2-413774-0	413960-3	5413959-4
RG-174/U, 188/U & 316/U	1.73 [.068]	4.52 [.178]	58436-3	227194-1	9-413658-0	1-413774-5	413960-3	5413959-3
RG-58/U & BELDEN 88240	1.73 [.068]	5.41 [.213]	58436-1	-	9-221132-0	413774-5	413960-1	5413959-1
FOR USE WITH CABLE	CONTACT CRIMP (HEX)	FERRULE CRIMP (HEX)	DIE SET 1	4 TUBING, PLASTIC QTY=1	3 FERRULE QTY=1	2 CONTACT QTY=1	1 PLUG ASSY QTY=1	PART NUMBER

THIS DRAWING IS A CONTROLLED DOCUMENT.

DIMENSIONS: mm [INCHES]	TOLERANCES UNLESS OTHERWISE SPECIFIED:	DWG: A. FERNANDEZ-DOCK5	DATE: 22APR2005		Tyco Electronics Corporation Harrisburg, PA 17105-3608	
0 PLC ± -	1 PLC ± -	CHK: J. HAVENER	DATE: 22APR2005		NAME: J. LIPPERT	PRODUCT SPEC: -
2 PLC ± -	3 PLC ± 41[016]	MATERIAL: -		FINISH: -	WEIGHT: -	RESTRICTED TO: -
4 PLC ± -	ANGLES ± -	CUSTOMER DRAWING		SCALE: 5:1	SHEET: 1 OF 1	REV: A1

SIZE: A1
 CAGE CODE: 00779
 DRAWING NO: 5413959