



Chipsmall Limited consists of a professional team with an average of over 10 year of expertise in the distribution of electronic components. Based in Hongkong, we have already established firm and mutual-benefit business relationships with customers from,Europe,America and south Asia,supplying obsolete and hard-to-find components to meet their specific needs.

With the principle of “Quality Parts,Customers Priority,Honest Operation,and Considerate Service”,our business mainly focus on the distribution of electronic components. Line cards we deal with include Microchip,ALPS,ROHM,Xilinx,Pulse,ON,Everlight and Freescale. Main products comprise IC,Modules,Potentiometer,IC Socket,Relay,Connector.Our parts cover such applications as commercial,industrial, and automotives areas.

We are looking forward to setting up business relationship with you and hope to provide you with the best service and solution. Let us make a better world for our industry!



Contact us

Tel: +86-755-8981 8866 Fax: +86-755-8427 6832

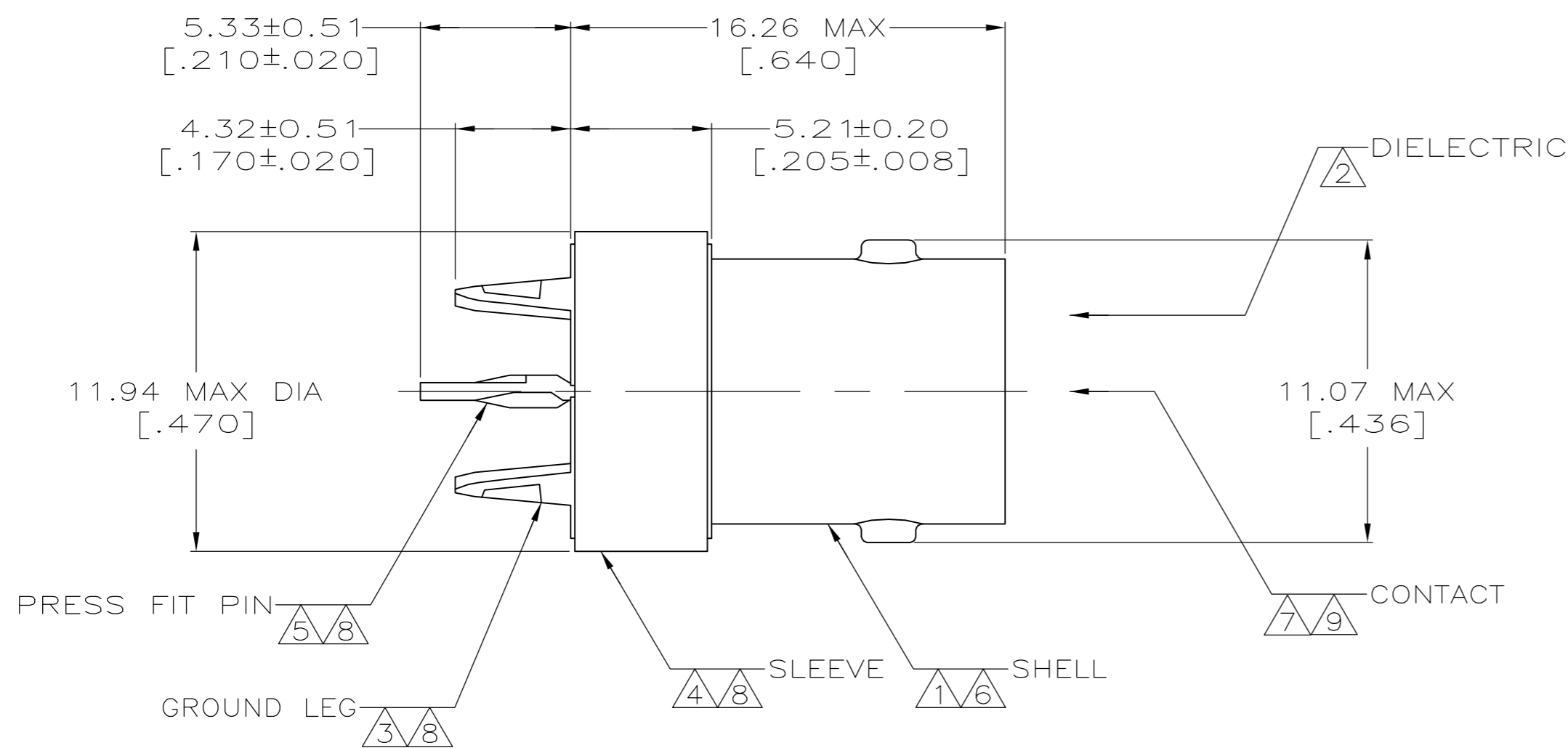
Email & Skype: info@chipsmall.com Web: www.chipsmall.com

Address: A1208, Overseas Decoration Building, #122 Zhenhua RD., Futian, Shenzhen, China

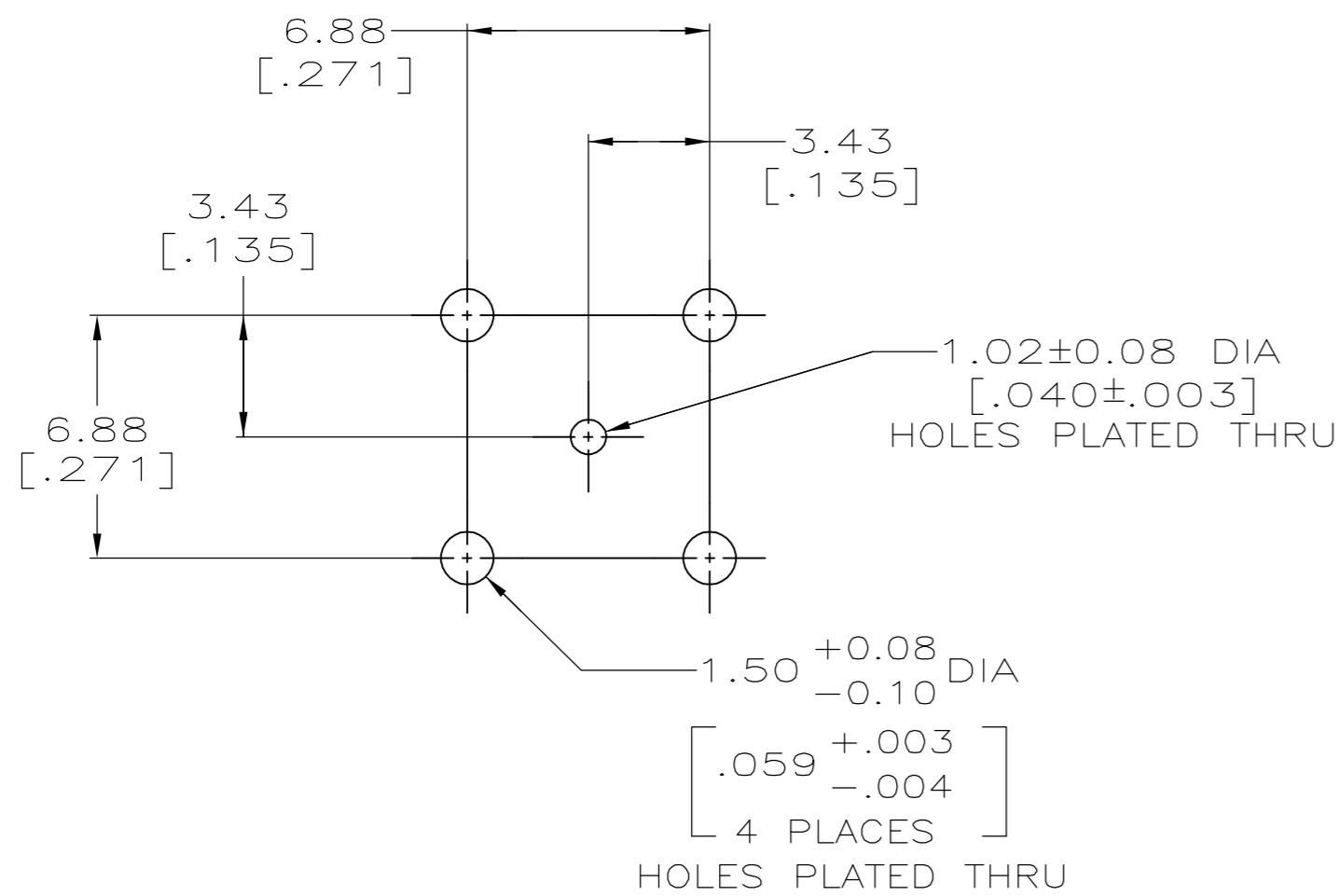


THIS DRAWING IS UNPUBLISHED. RELEASED FOR PUBLICATION
 © COPYRIGHT BY TYCO ELECTRONICS CORPORATION. ALL RIGHTS RESERVED.

LOC	DIST	REVISIONS			
P	LTR	DESCRIPTION	DATE	DWN	APVD
AJ	16	B	REVISED PER ECO 07-002853	21MAR2007	DW JL



- 1 ZINC PER QQ-Z-363.
- 2 PTFE PER ASTM D 1710.
- 3 COPPER-IRON ALLOY PER ASTM B 465.
- 4 COPPER PER QQ-C-576.
- 5 COPPER-NICKEL ALLOY PER ASTM B 122.
- 6 NICKEL PLATE PER QQ-N-290
3.81 μm [.000150] MINIMUM THICK.
- 7 GOLD PLATE PER ASTM B 488
0.76 μm [.000030] MINIMUM THICK.
- 8 TIN PLATE PER ASTM B 545,
2.54 μm [.000100] MIN THICK.
- 9 BERYLLIUM COPPER PER ASTM B 643.
- 10. INTERFACE DIMENSIONS PER LUCENT SPEC WP-92009.
- 11. CONNECTOR PRESS FIT IS DESIGNED TO PROVIDE 100 LB. MINIMUM AXIAL RETENTION TO PCB COMPLIANT WITH TYCO APPLICATION SPEC 114-12001. AS A RESULT, DEFORMATION OF PLATED THROUGH HOLES WILL OCCUR. CUSTOMER VALIDATION AND ACCEPTANCE OF THIS DEFORMATION IS RECOMMENDED PRIOR TO SPECIFYING USE OF THIS PRODUCT.



PCB CONFIGURATION

5414088-1
 PART NUMBER

THIS DRAWING IS A CONTROLLED DOCUMENT.		DWN A. FERNANDEZ-DOCK5 22APR2005	Tyco Electronics Corporation Harrisburg, PA 17105-3608	
DIMENSIONS: mm [INCHES]	TOLERANCES UNLESS OTHERWISE SPECIFIED:	CHK J. HAVENER 22APR2005	NAME JACK, PCB, HIGH RETENTION PRESS FIT, 75 OHM, BNC	
	0 PLC ± -	APVD J. LIPPERT 22APR2005	SIZE A2	CAGE CODE 00779
	1 PLC ± -	PRODUCT SPEC	DRAWING NO C=5414088	RESTRICTED TO -
MATERIAL NOTES 1-5, 9	FINISH NOTES 6-8	APPLICATION SPEC	WEIGHT -	SCALE 5:1
CUSTOMER DRAWING		SHEET 1 of 1		REV B